

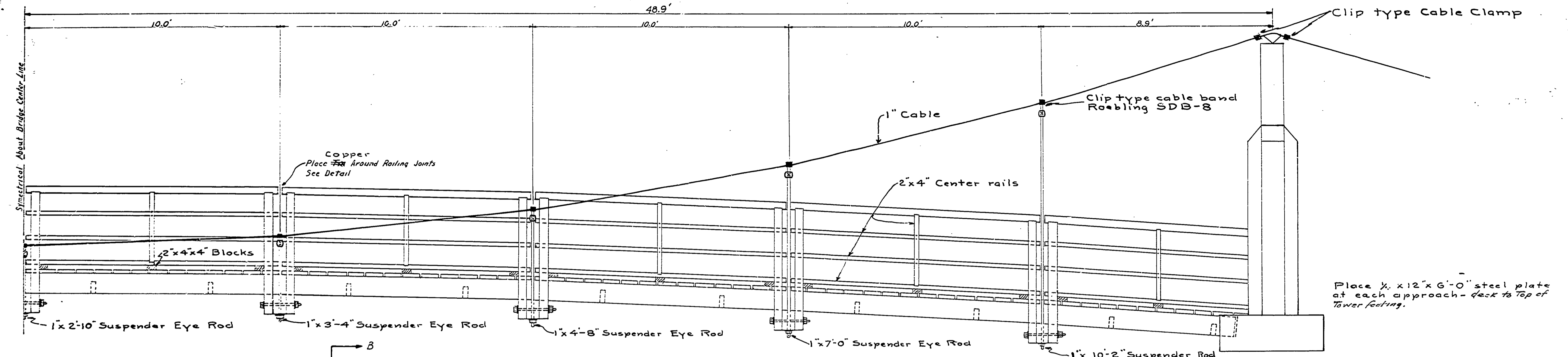
NO.	DATE	BY	REVISIONS
1			
2			
3			
4			
5			
6			

DRAWN BY *B.H.G.*
 TRACED BY
 CHECKED BY *L.G.P.*
 DATE *1 Apr. 53*

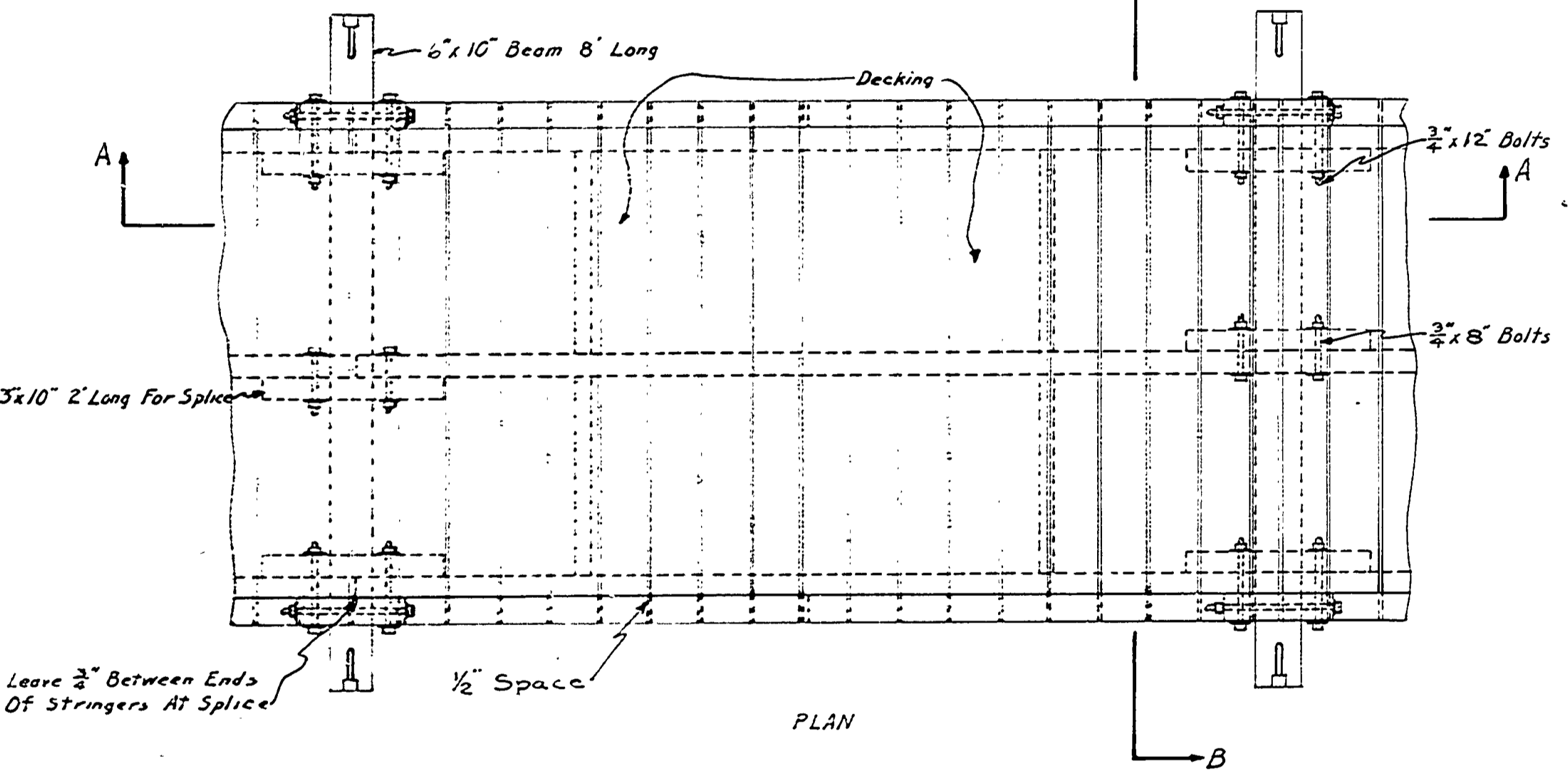
REVIEWED BY SECTIONS
 ARCHITECTURAL *J.I.R.*
 ENGINEERING *H.C.M.*
 LANDSCAPE *J.I.R.*

APPROVED BY
 ASSISTANT CHIEF IN CHARGE
 OF DESIGN *M.H.S.*
 DATE *7-20-53*

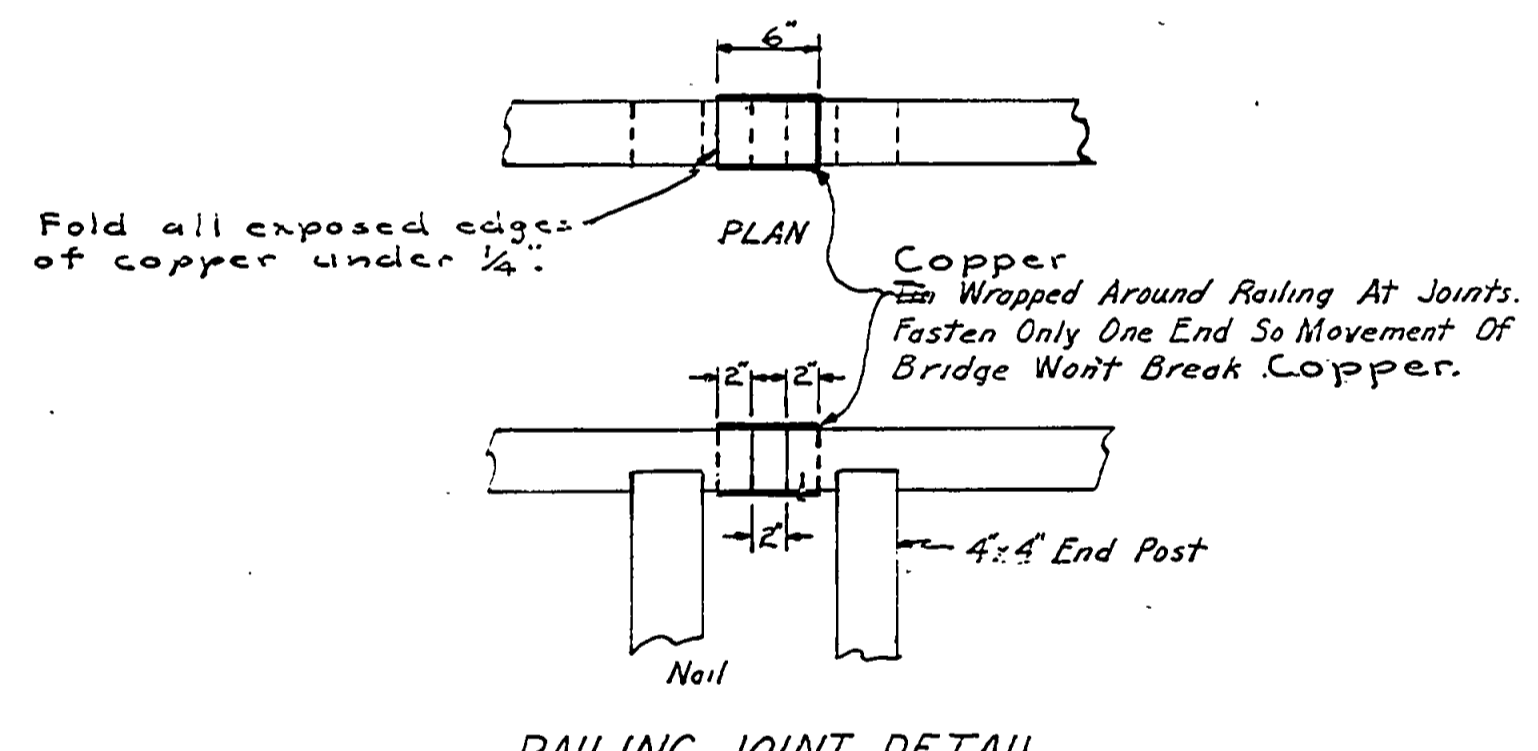
APPROVED BY
 DATE *7-18-53*



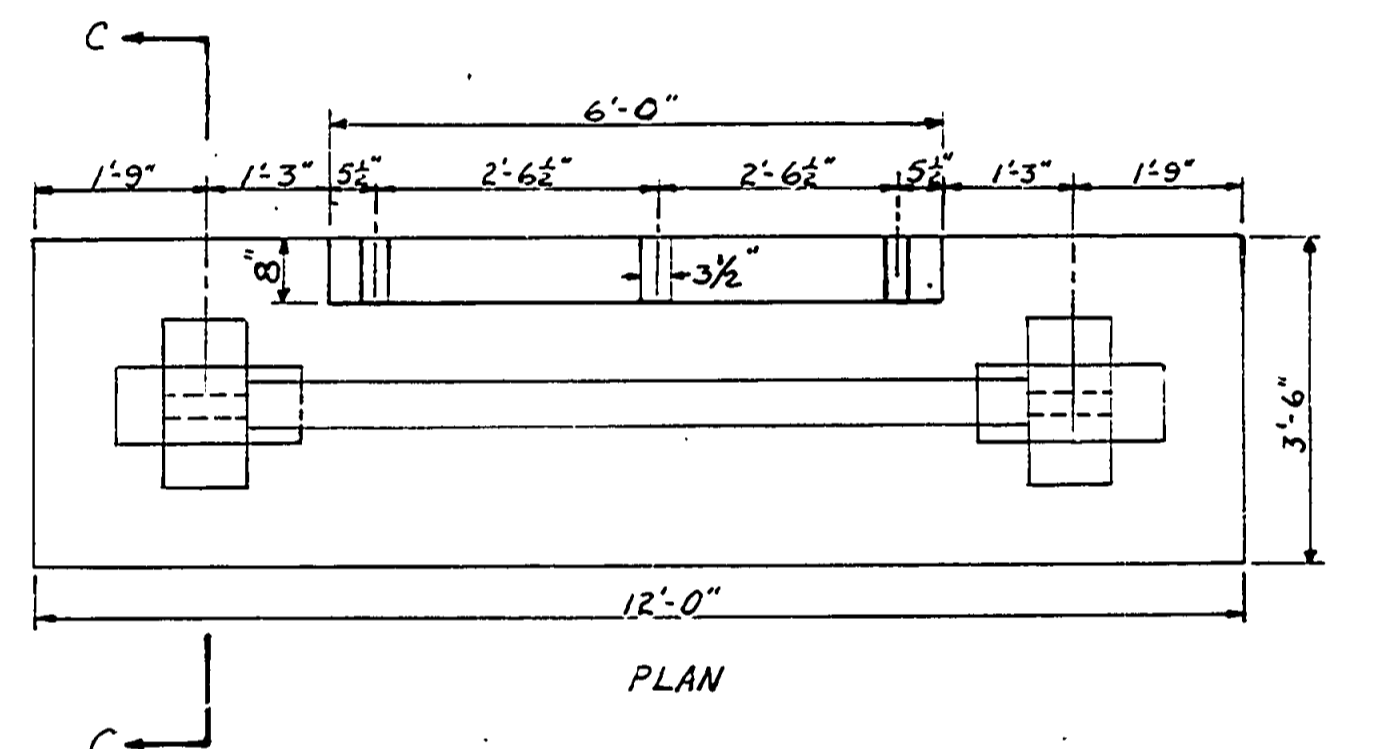
ELEVATION
Scale 1/2" = 1'-0"



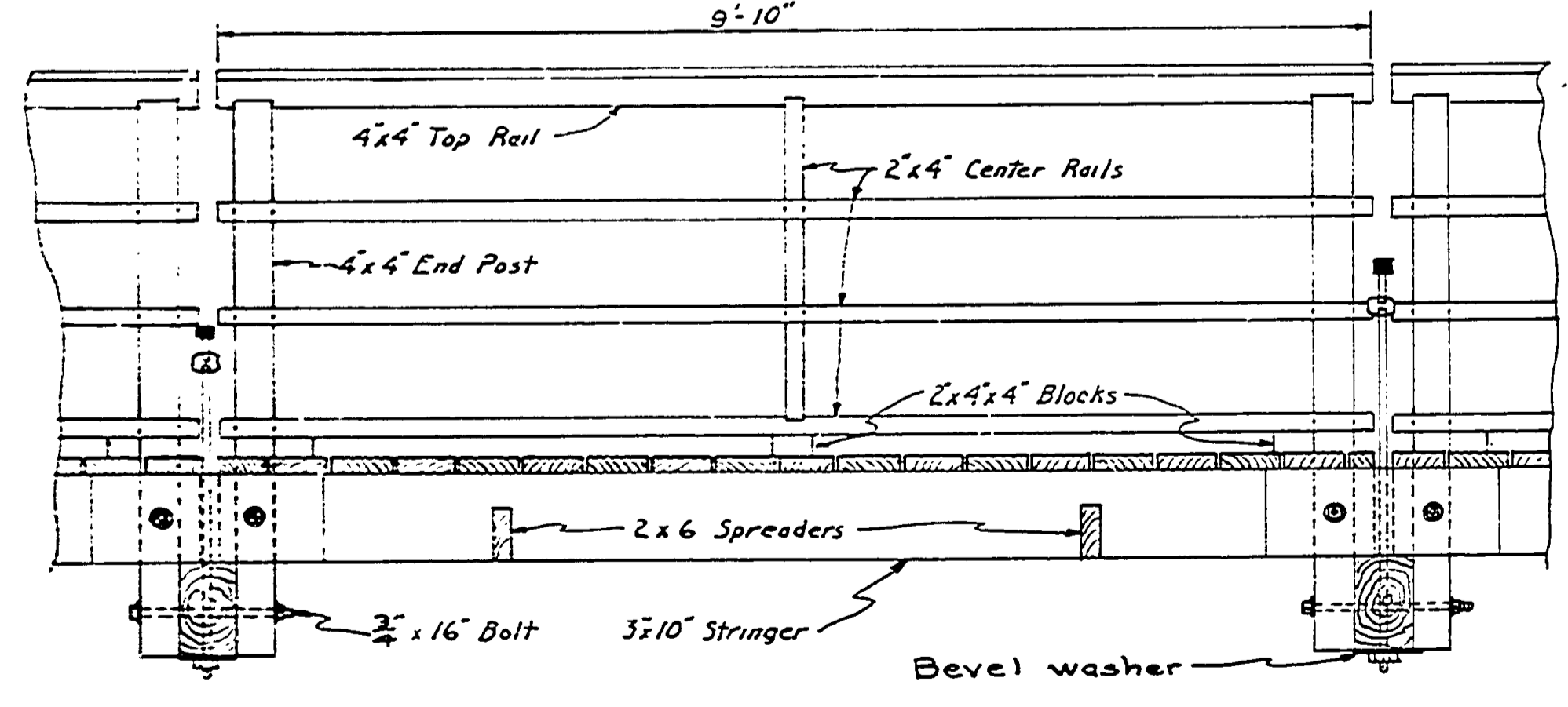
PLAN



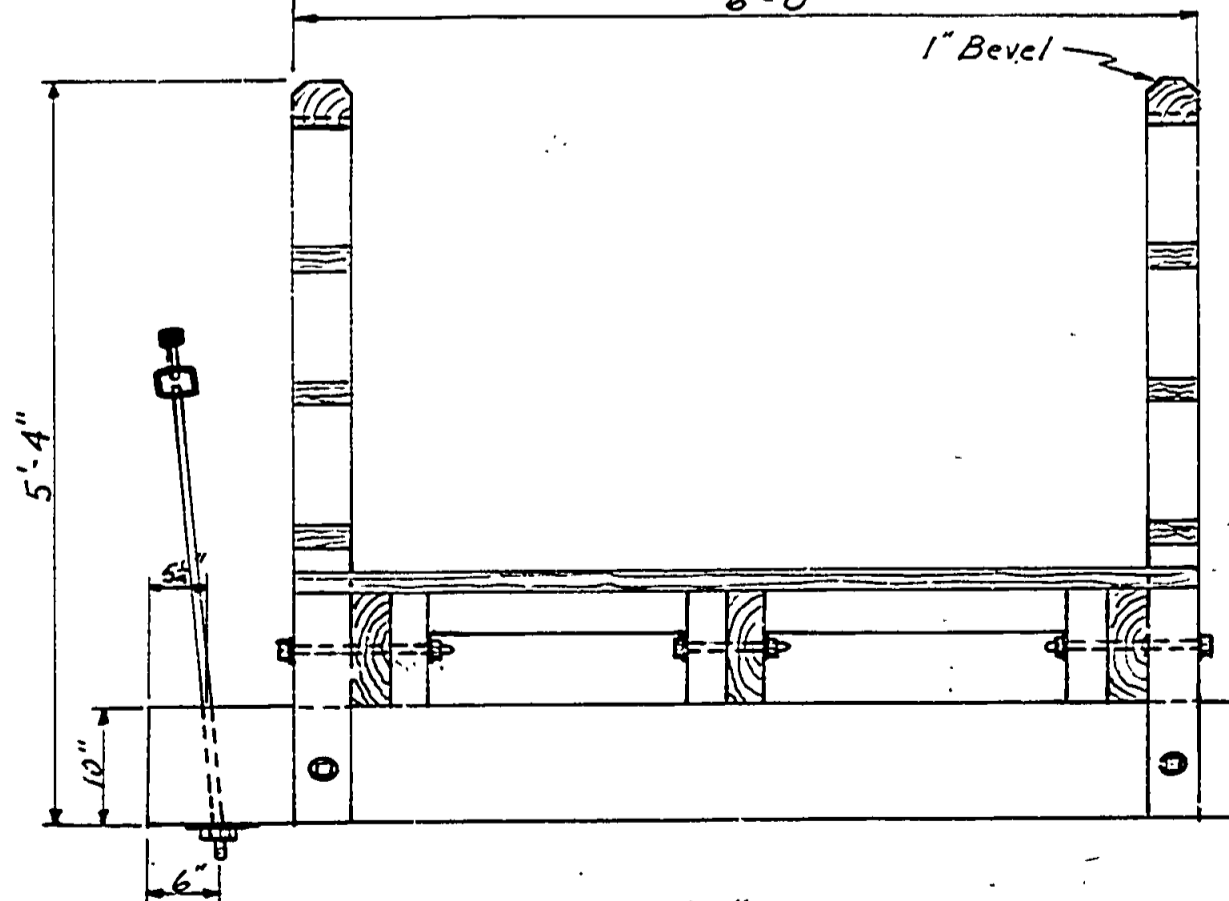
RAILING JOINT DETAIL
Scale 1 1/2" = 1'-0"



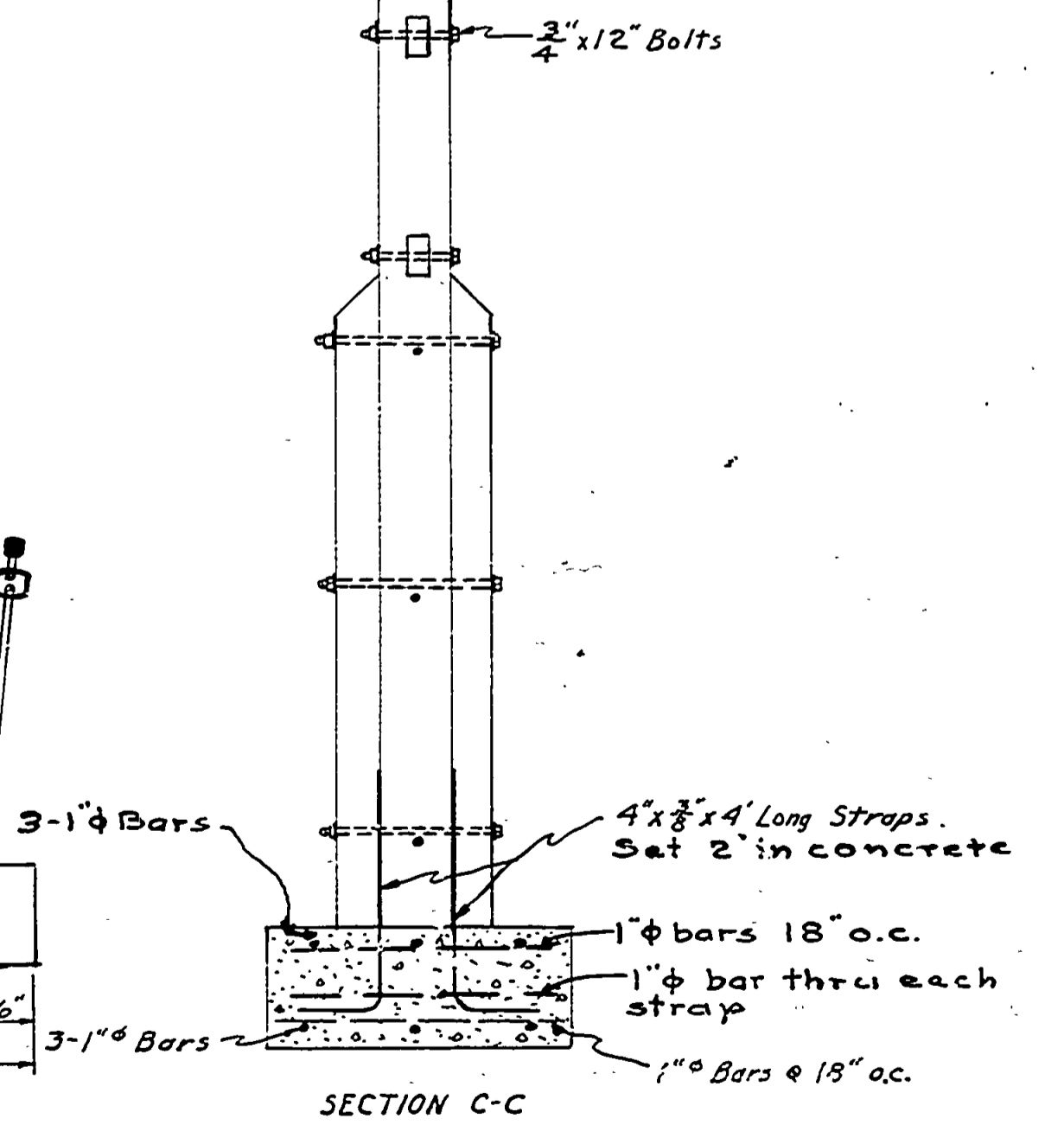
PLAN



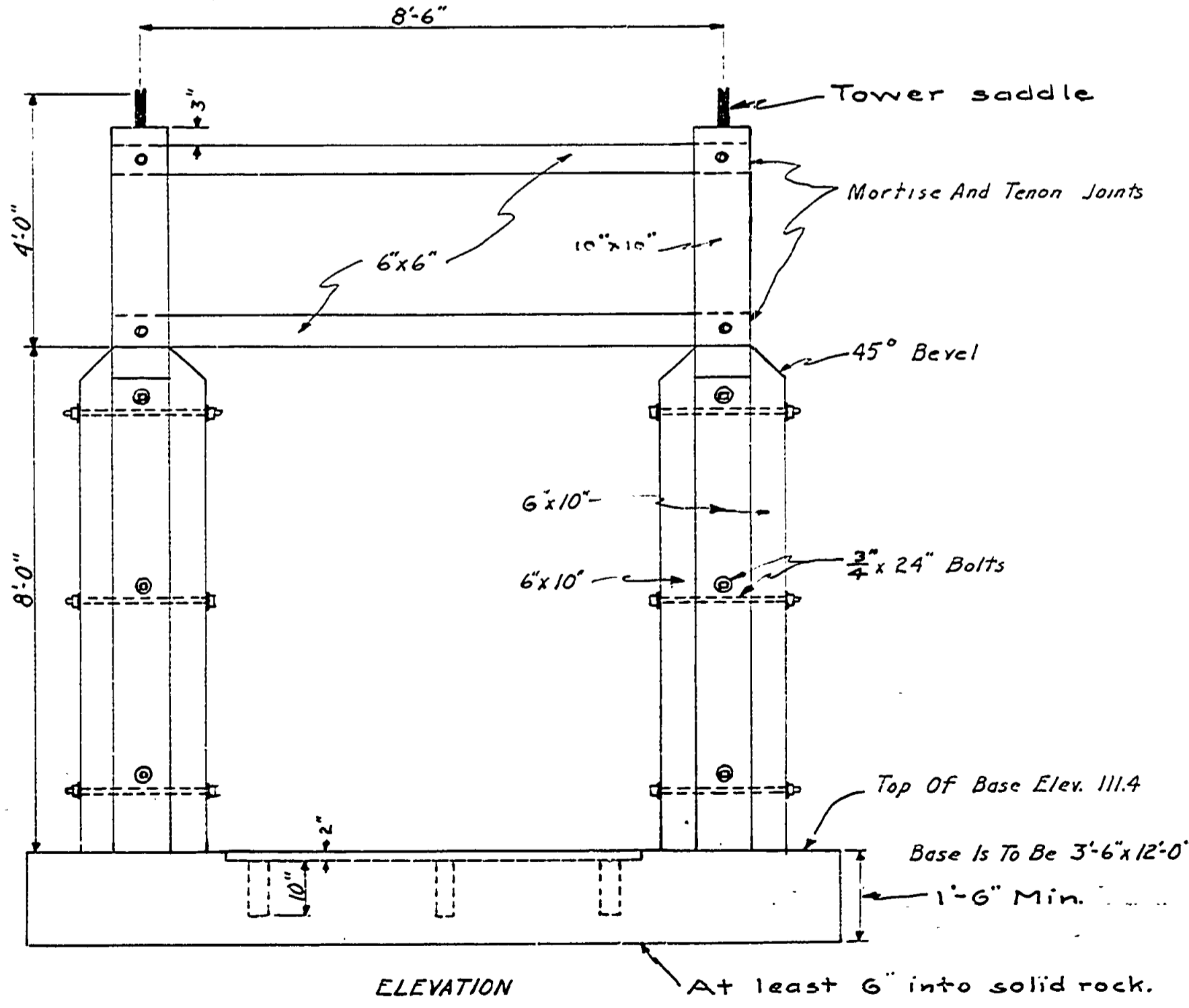
SECTION A-A



SECTION B-B



SECTION C-C



ELEVATION

TOWER DETAILS
Scale 1/2" = 1'-0"

PANEL DETAIL
3/4" = 1'-0"

MICHIGAN
 DEPARTMENT OF CONSERVATION
 PARKS AND RECREATION DIVISION

PORCUPINE MOUNTAINS STATE PARK
 FOOT BRIDGE OVER THE PRESQUE ISLE RIVER
 Scale As Shown

SHEET NO. 2
 OF 3

PLAN NO.
 E-107