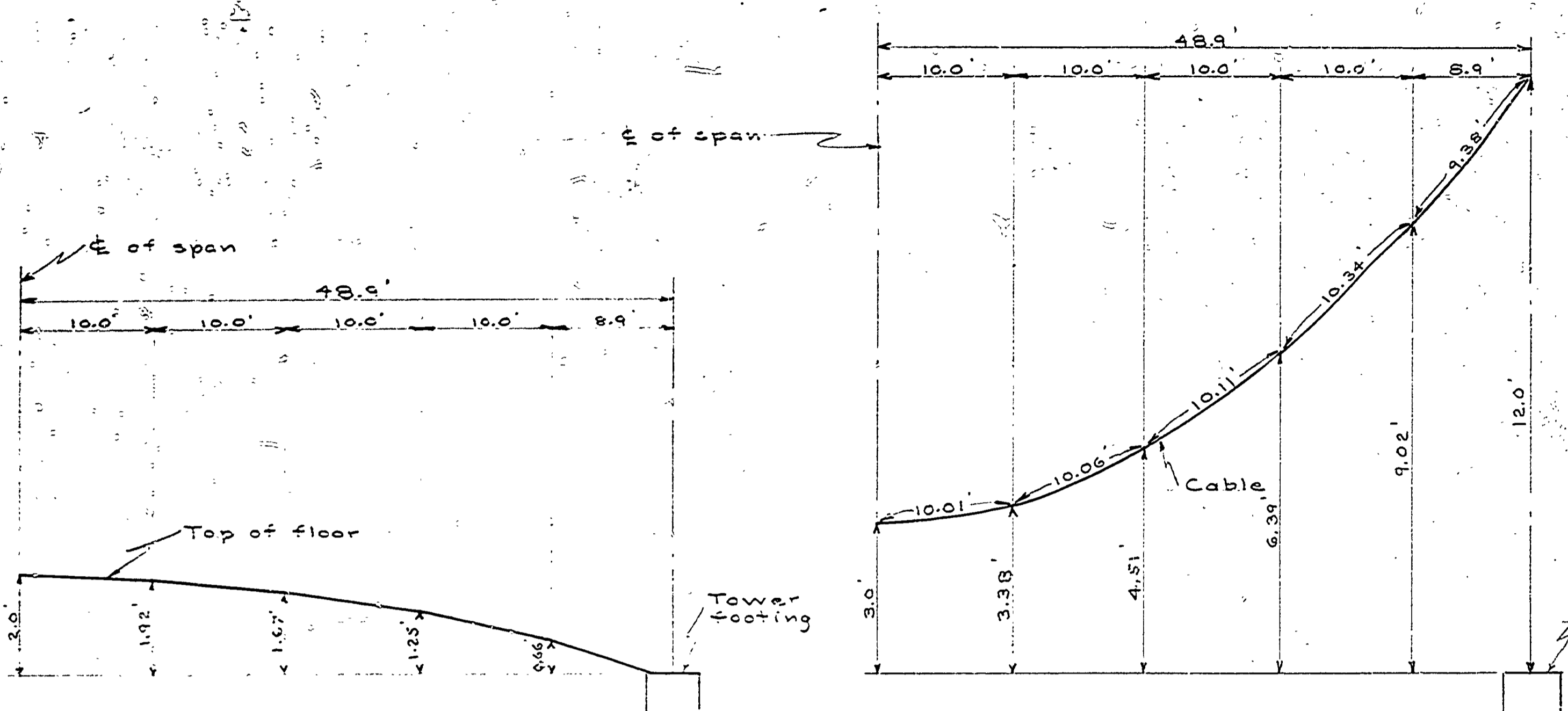


REVISIONS	DATE	BY
4		
5		
6		

NO.	DATE	BY
1		
2		
3		

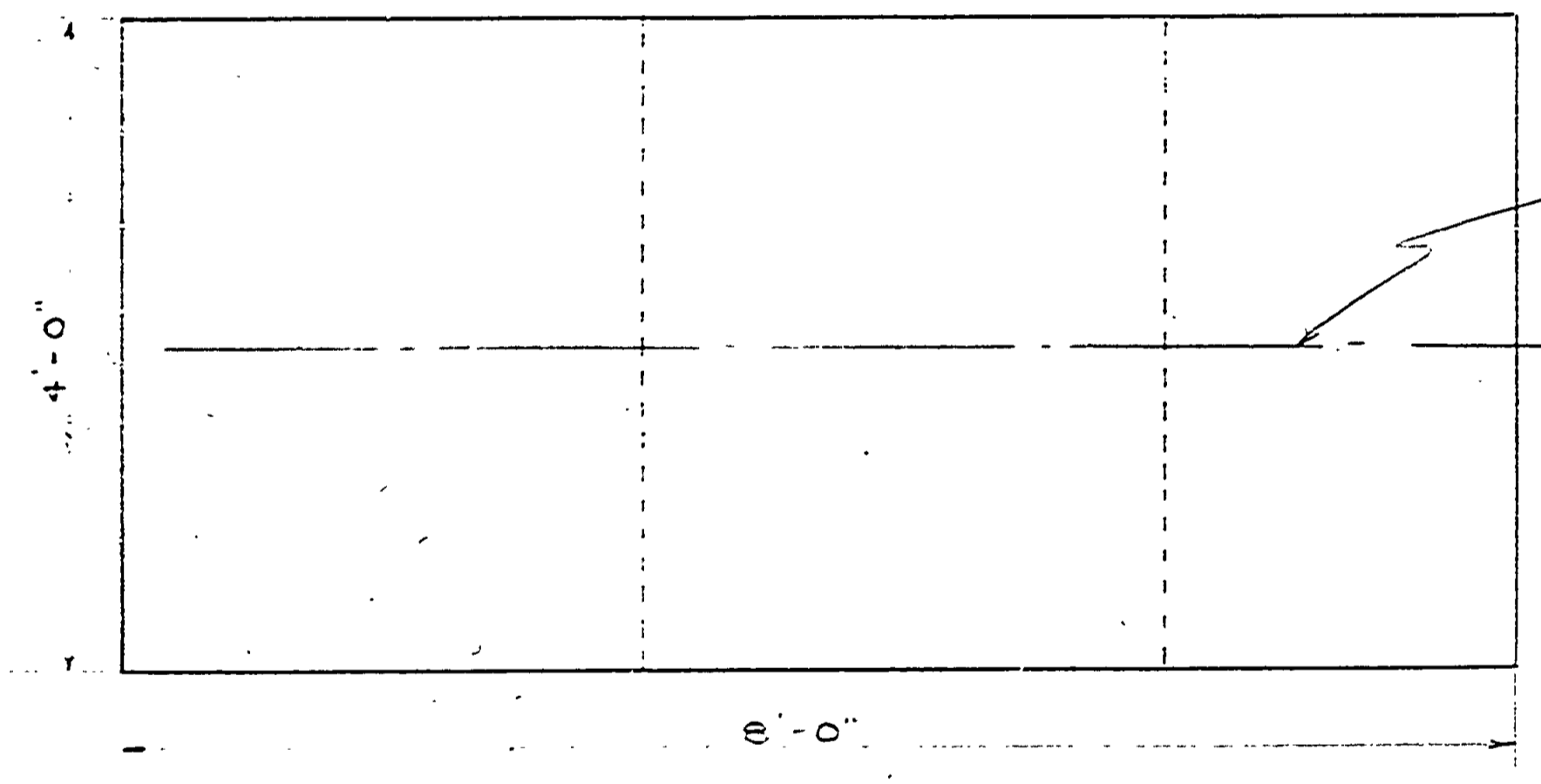
APPROVED BY	DATE	REVIEWED BY SECTIONS
<i>[Signature]</i>	7-28-53	J.I.R. ARCHITECTURAL
ASSISTANT CHIEF IN CHARGE	7/28/53	H.C.M. ENGINEERING
OF DESIGN	7-28-53	J.I.R. LANDSCAPE

DRAWN BY	CHECKED BY	DATE
K.E.G.		21 July 1953

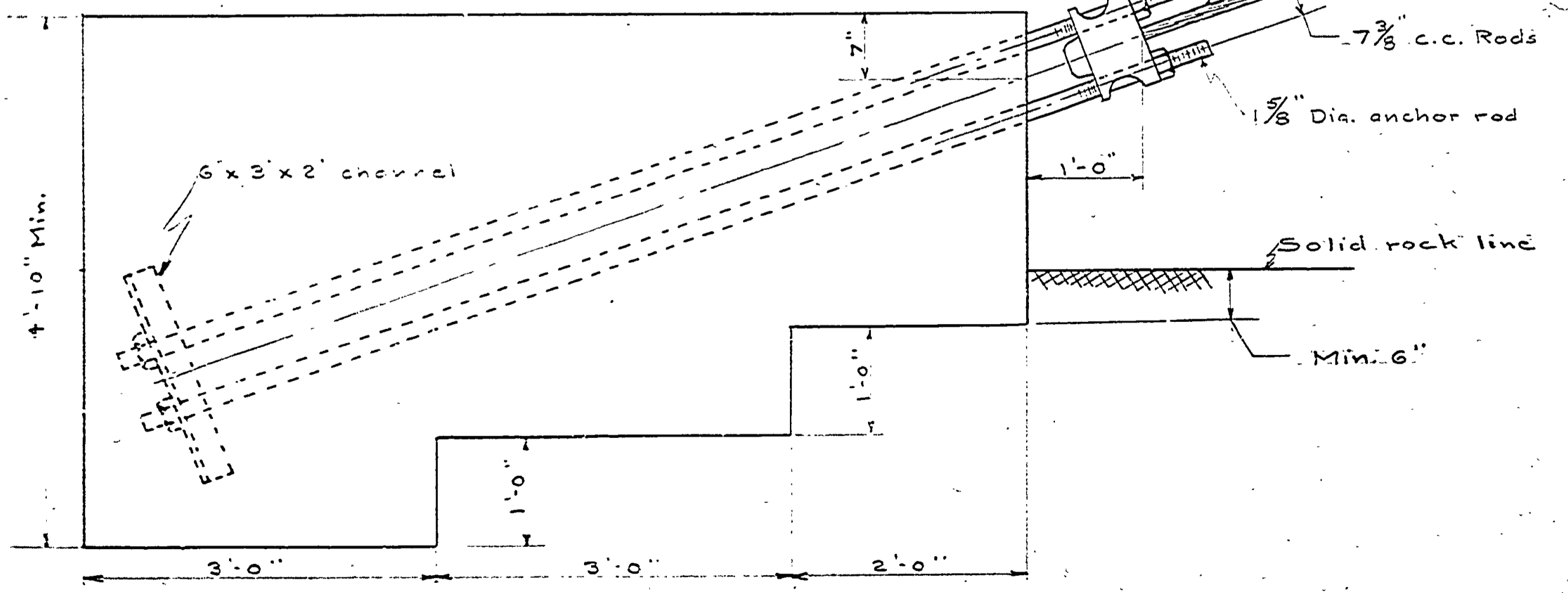


FLOOR CAMBER
Scale: Hor. $\frac{1}{8}$ " = 1'-0"
Vert. $\frac{1}{2}$ " = 1'-0"

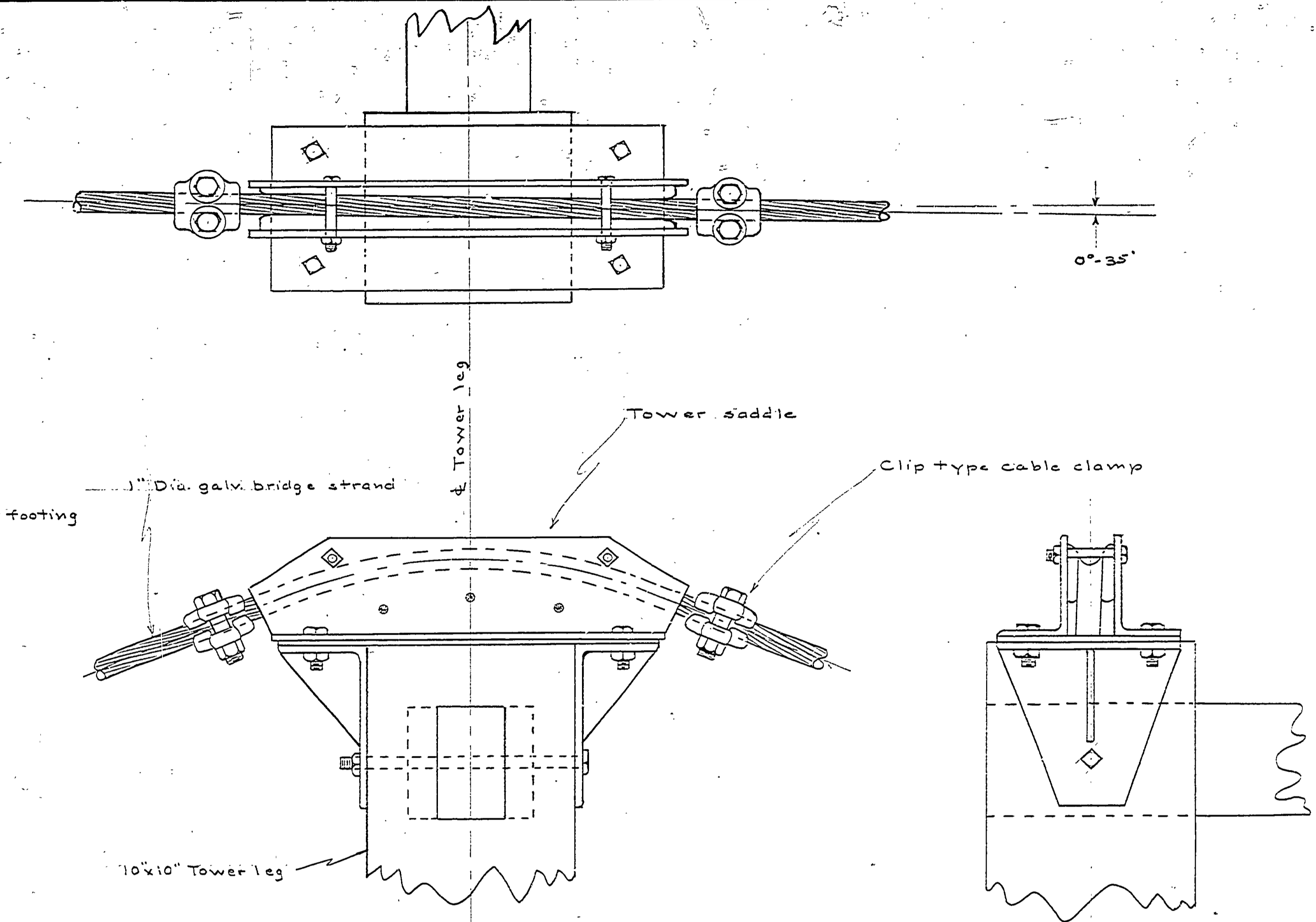
CABLE DEFLECTION
Scale: Hor. $\frac{1}{8}$ " = 1'-0"
Vert. $\frac{1}{2}$ " = 1'-0"



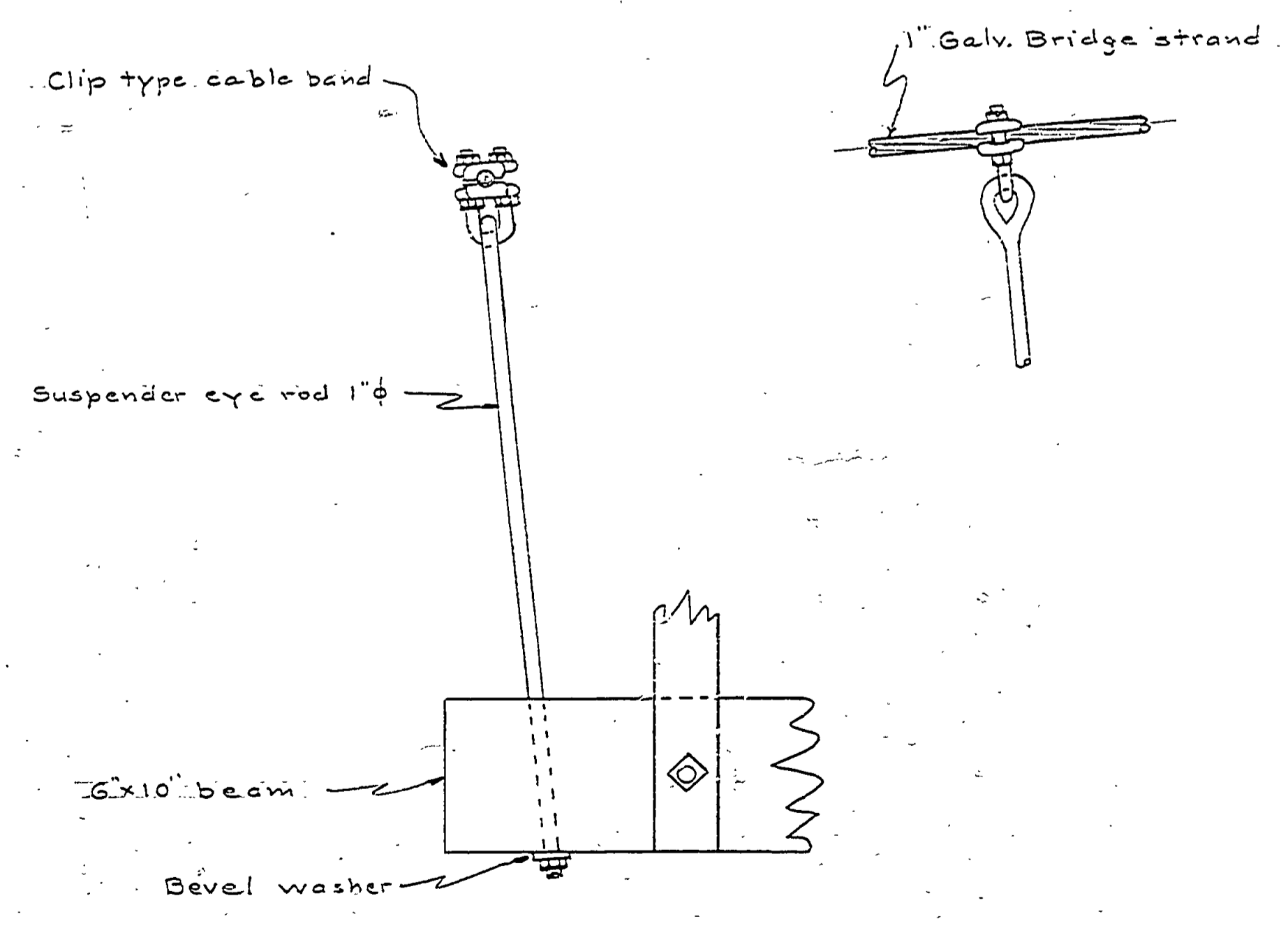
ϕ of anchor rods and cables. See elevation below for details.



ANCHOR BLOCK & FITTINGS
Scale: 1" = 1'-0"



TOWER SADDLE
Scale: 3" = 1'-0"



SUSPENDER ROD
Scale: 1/2" = 1'-0"

GENERAL NOTES
Live load: 250^{lb} per linear foot of bridge
Dead load: 135^{lb} per linear foot of bridge
Length of cable between towers = 100.0'
The bottom of all footings & anchor blocks shall extend at least 6" into solid rock.