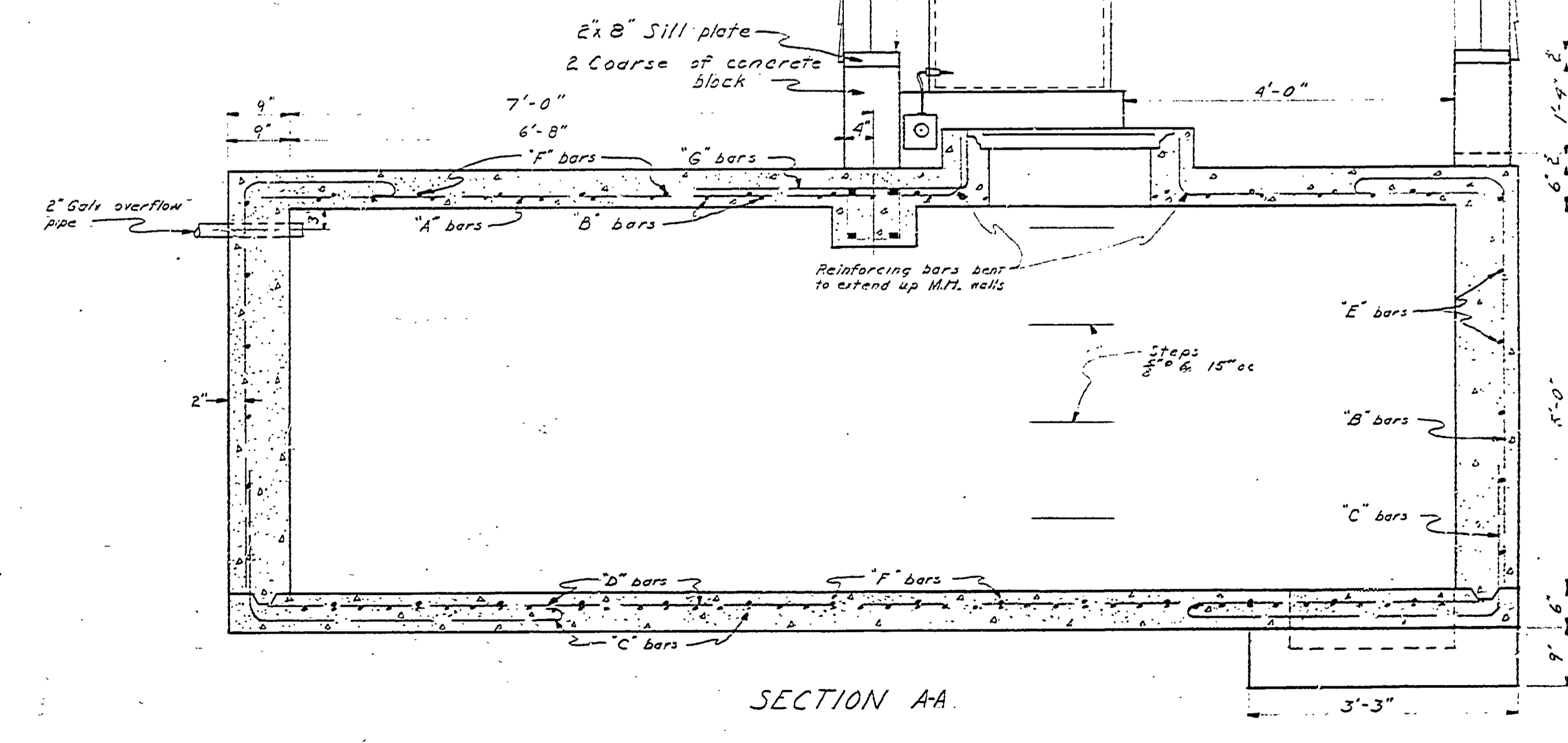
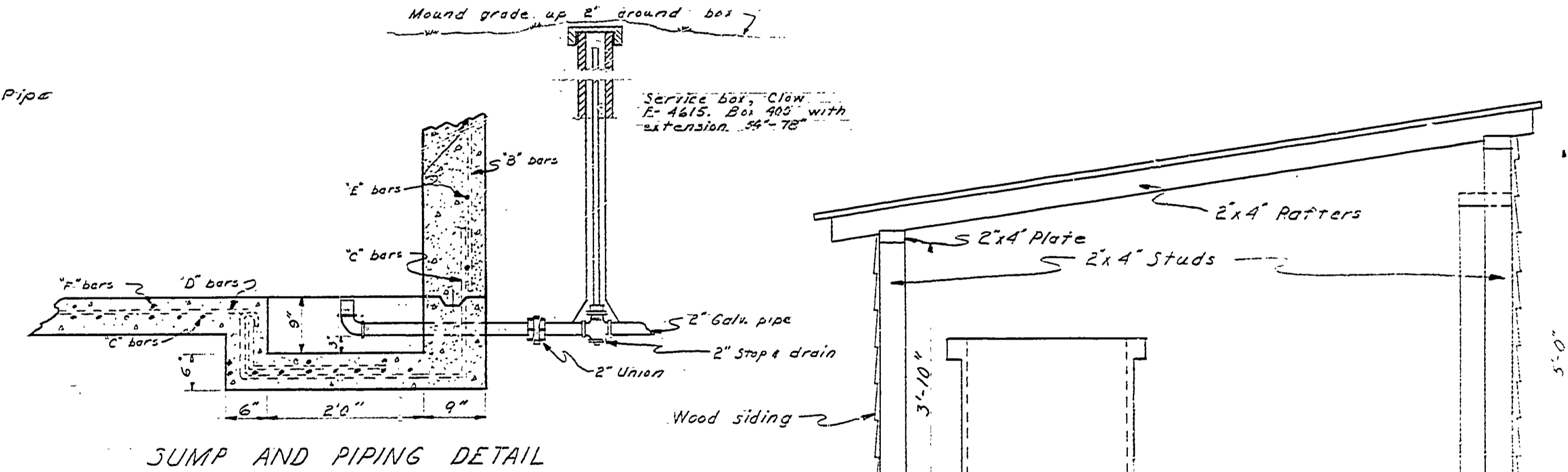
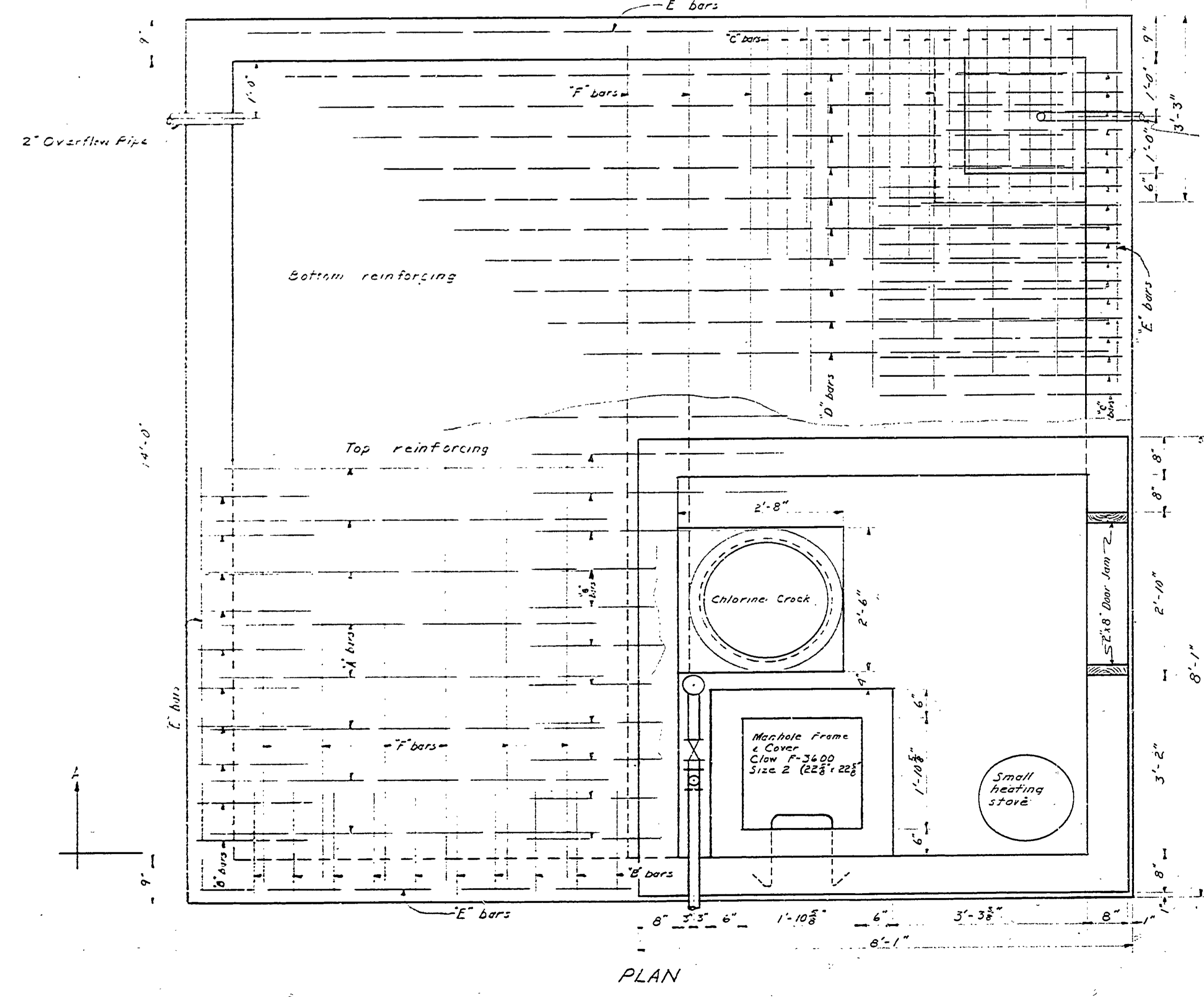
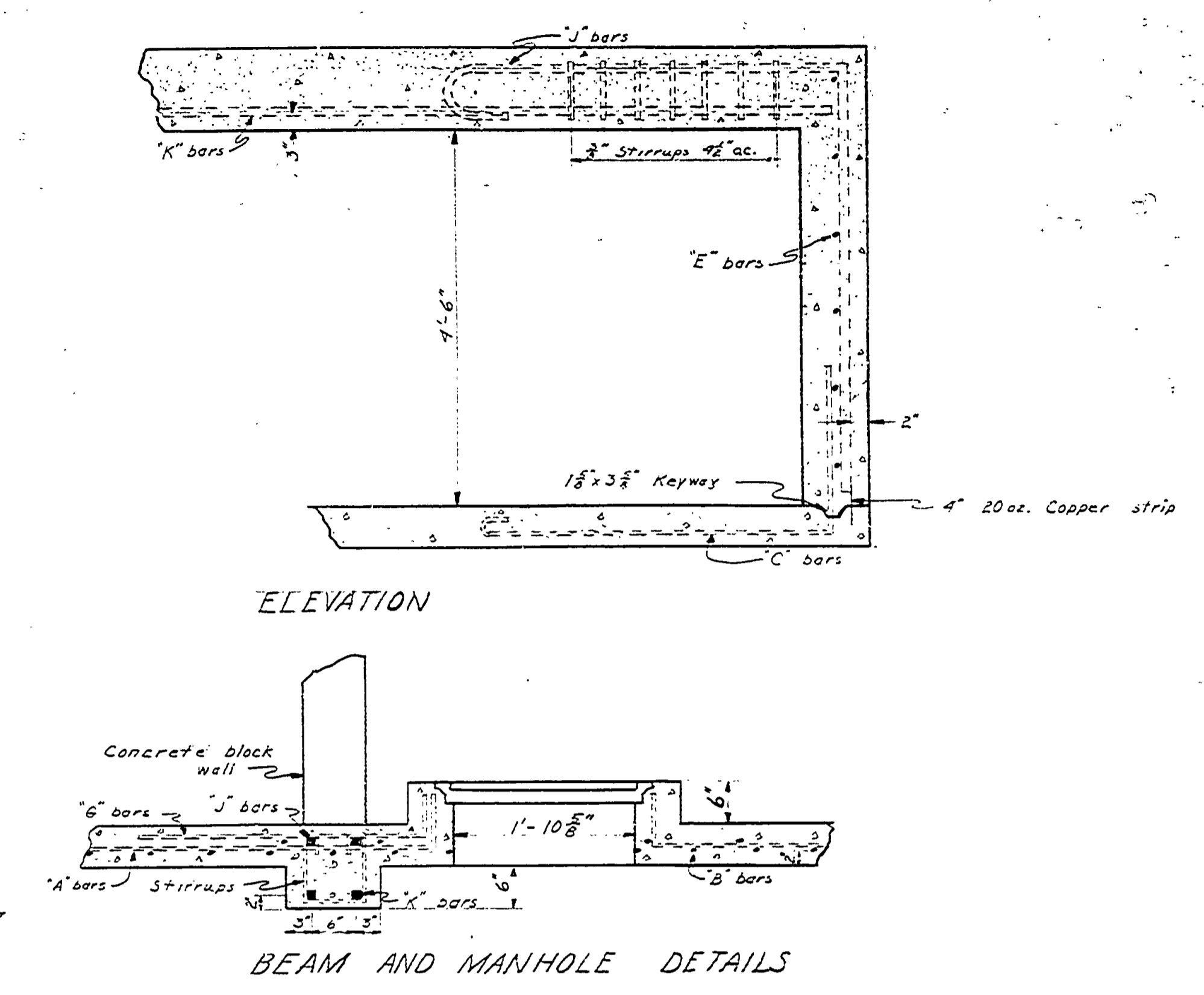
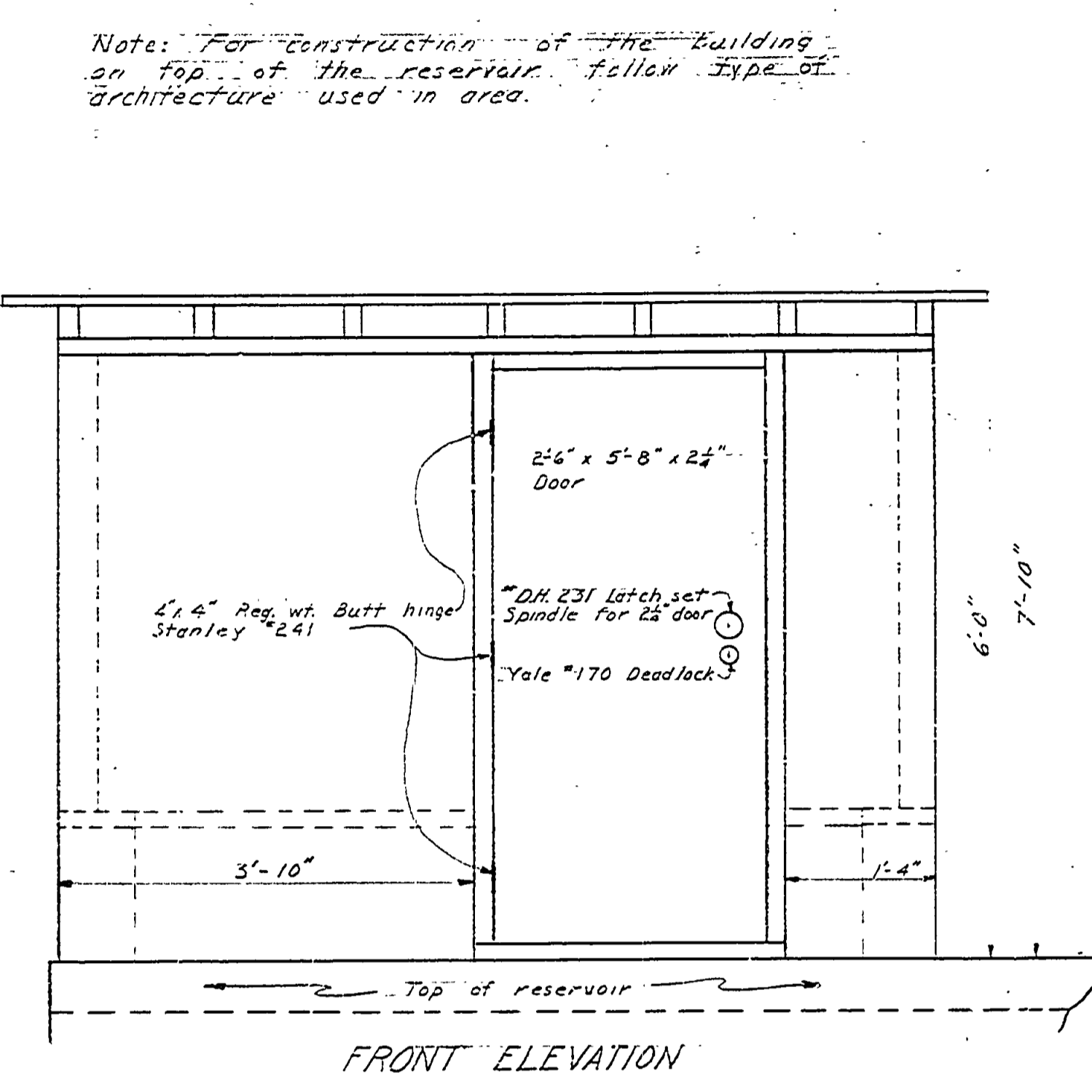
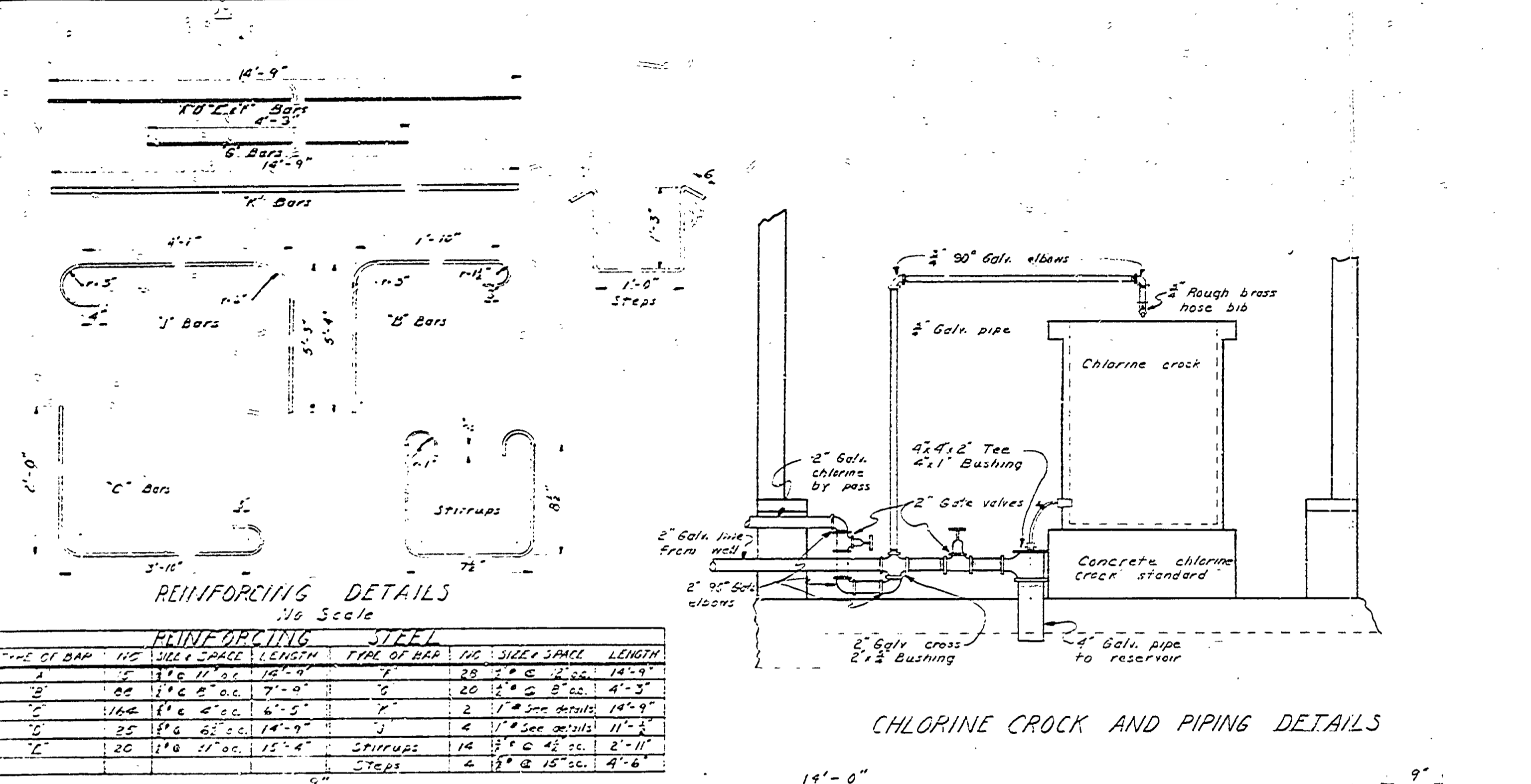


DRAWN BY B.H.G.	CHECKED BY F.J.P.	DATE 7 Nov 57	REVIEWED BY SECTIONS			APPROVED BY			NO. DATE BY			REVISIONS					
			ARCHITECTURAL ENGINEERING	LANDSCAPE													
DATE 20 Nov 57			DATE 11 C.M.			DATE 11 C.M.			DATE 11 C.M.			DATE 11 C.M.					
ASSISTANT CHIEF IN CHARGE OF DESIGN			DATE 11 C.M.			DATE 11 C.M.			DATE 11 C.M.			DATE 11 C.M.					



WATER RESERVOIR

MICHIGAN DEPARTMENT OF CONSERVATION PARKS AND RECREATION DIVISION

PORCUPINE MOUNTAINS STATE PARK WINTER SPORTS AREA WATER SYSTEM Scale 1/4" = 1'

SHEET NO. 1 OF 2 PLAN NO. E-108