

PI Sta. 970+36.5
 N30°E 46.32' Maple
 N75°E 27.32' Maple
 S05°E 28.46' Hemlock

BM No. 124, Elev. 726.79
 PK Nail, tag & washer
 in SW root 18" Hemlock
 100' Et. Sta. 971+97

Curve Data
 Δ 44° 15' R.
 D 7'
 R 819.02'
 T 333.21'
 L 655.11'
 E 165.11'
 PC Sta. 967+03.5
 PI Sta. 970+36.5
 PT Sta. 973+35.6

Curve Data Consts
 Δ - 41° 37' 57" R.
 D - 4' 00"
 R - 1432.69'
 T - 544.69'
 L - 1040.61'
 E - 100.05'
 PCC Sta. 971+40.65
 PI Sta. 976+35.34
 PT Sta. 981+31.46
 Super-elevate 0.031 ft.

Station Equation Consts
 Sta. 981+31.46 Back Sights
 Sta. 981+30.27 Ahead
 Line lengthens 1.18'

PI Sta. 978+70.0
 S70°E 48.13' Cedar
 S33°E 27.90' Maple
 S02°W 66.25' Maple

BM No. 125, Elev. 722.86
 PK Nail, tag & washer
 in E root 12" Hemlock
 110' Et. Sta. 978+75

Curve Data
 Δ 27° 59' R.
 D 6'
 R 956.31'
 T 230.21'
 L 466.21'
 E 79.21'
 PC Sta. 976+31.9
 PI Sta. 978+70.0
 PT Sta. 980+96.3

BM No. 126, Elev. 733.16
 PK Nail, tag & washer
 in E root 16" Hemlock
 110' Et. Sta. 985+00

PI Sta. 993+51.1
 N21°E 14.50' 5" Maple
 S18°W 14.97' 5" Hemlock
 N65°W 10.00' 10" Maple

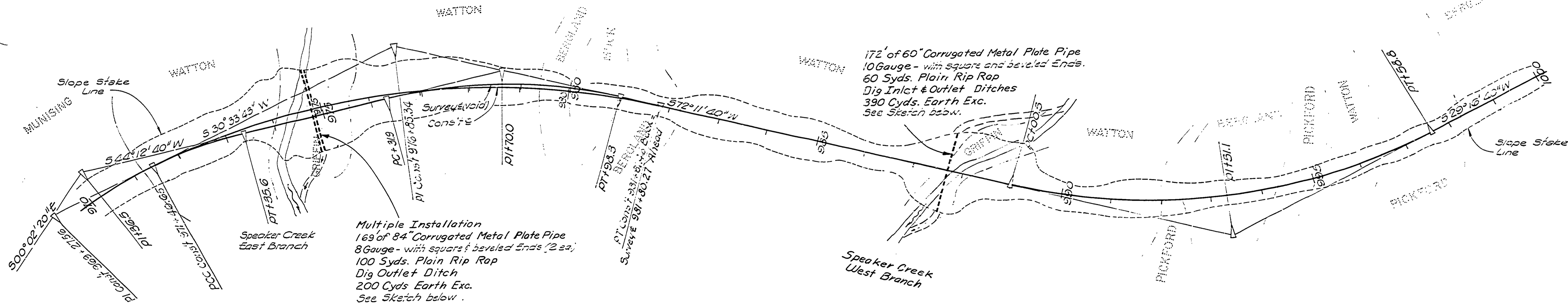
Curve Data
 Δ 42° 55' Lt.
 D 5'
 R 1146.26'
 T 450.61'
 L 658.31'
 E 65.41'
 PC Sta. 989+00.5
 PI Sta. 993+51.1
 PT Sta. 997+56.3
 Super 0.031 ft.

DIV. NO.	STATE	PROJ. NO.	FISCAL YEAR	SHEET NO.	TOTAL SHEETS
4	MICH.	510406			
ROUTE	STATE	COUNTY	TWP.	SHEET NO.	TOTAL SHEETS
FA5	27-46	Washtenaw	Wakefield	15	

DIV. NO.	STATE	PROJ. NO.	FISCAL YEAR	SHEET NO.	TOTAL SHEETS
4	MICH.	510406			
ROUTE	STATE	COUNTY	TWP.	SHEET NO.	TOTAL SHEETS
FA5	27-46	Washtenaw	Wakefield	15	

BM No. 128, Elev. 743.96
 PK Nail and tag in SE
 root 22" Yellow Birch
 102' Et. Sta. 999+40

Washtenaw County
 Wakefield Twp.
 T50N R45W

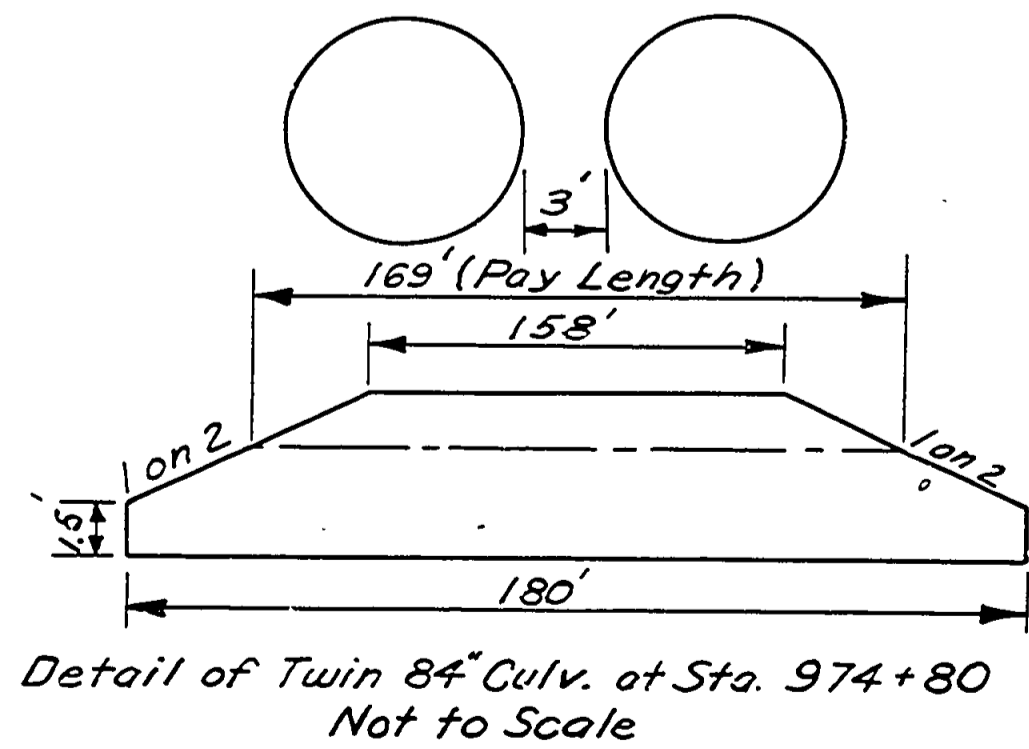


Multiple Installation
 169' of 84" Corrugated Metal Plate Pipe
 8 Gauge - with square & beveled ends (2 ea.)
 100 Syds. Plain Rip Rap
 Dig Outlet Ditch
 200 Cyds. Earth Exc.
 See Sketch below.

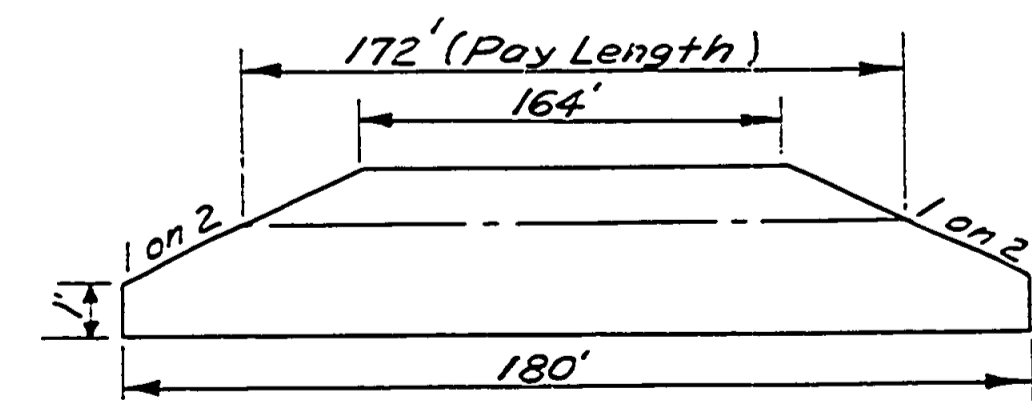
172' of 60" Corrugated Metal Plate Pipe
 10 Gauge - with square and beveled ends.
 60 Syds. Plain Rip Rap
 Dig Inlet & Outlet Ditches
 390 Cyds. Earth Exc.
 See Sketch below.

Sta. 970+00 to Sta. 1000+00 Rt. & Lt.
 Clear & Grub Within Slope Stake Lines
 Clearing (Special) 6.1 Acres
 Grubbing 976 Srd.

First and Second Class Heavy
 Hemlock, Maple, Birch and Basswood
 (Virgin Timber)



Detail of Twin 84" Culv. at Sta. 974+80
 Not to Scale



Detail of 60" Culv. at Sta. 987+70
 Not to Scale

Squad Bindemann 1963