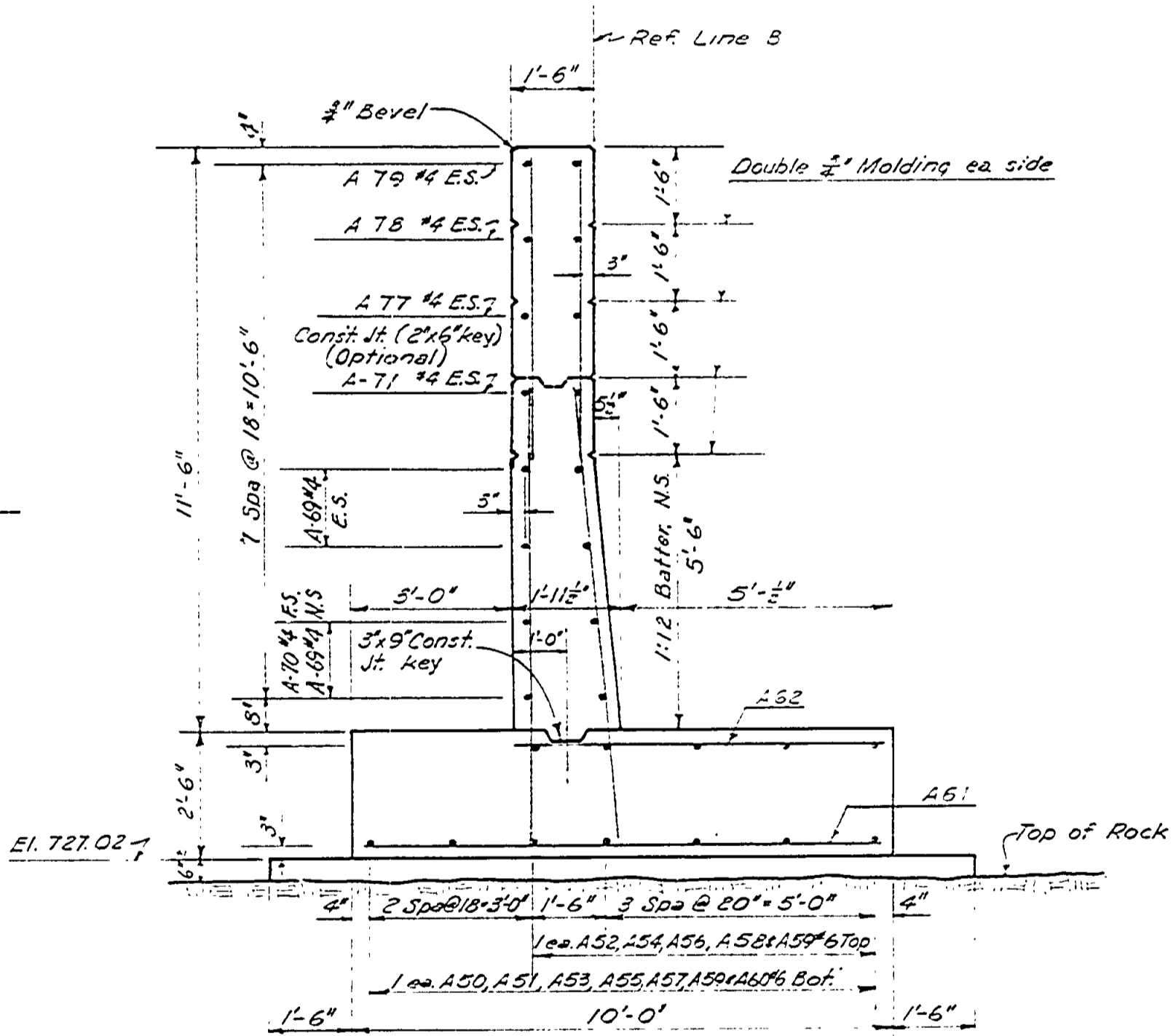
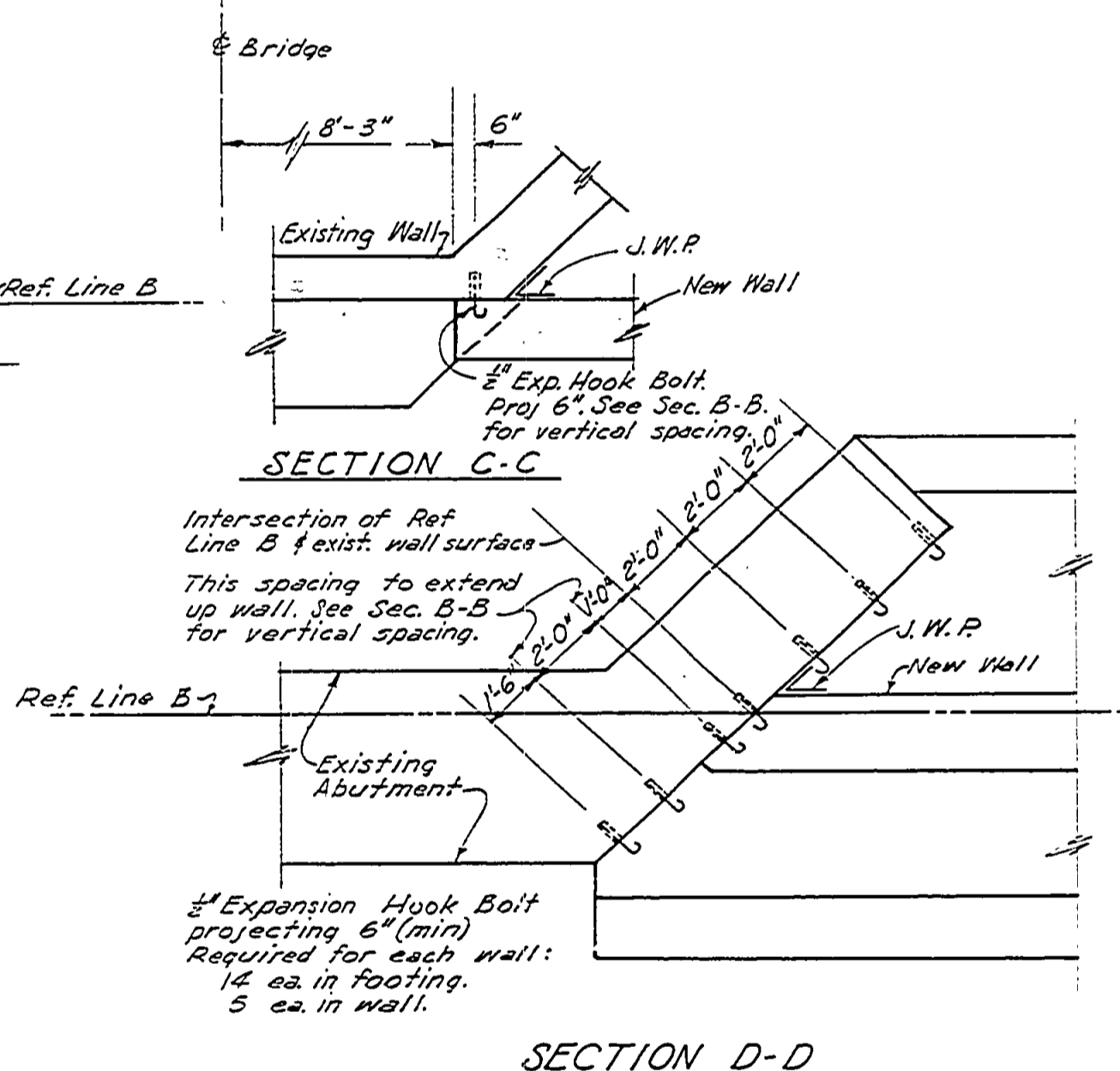
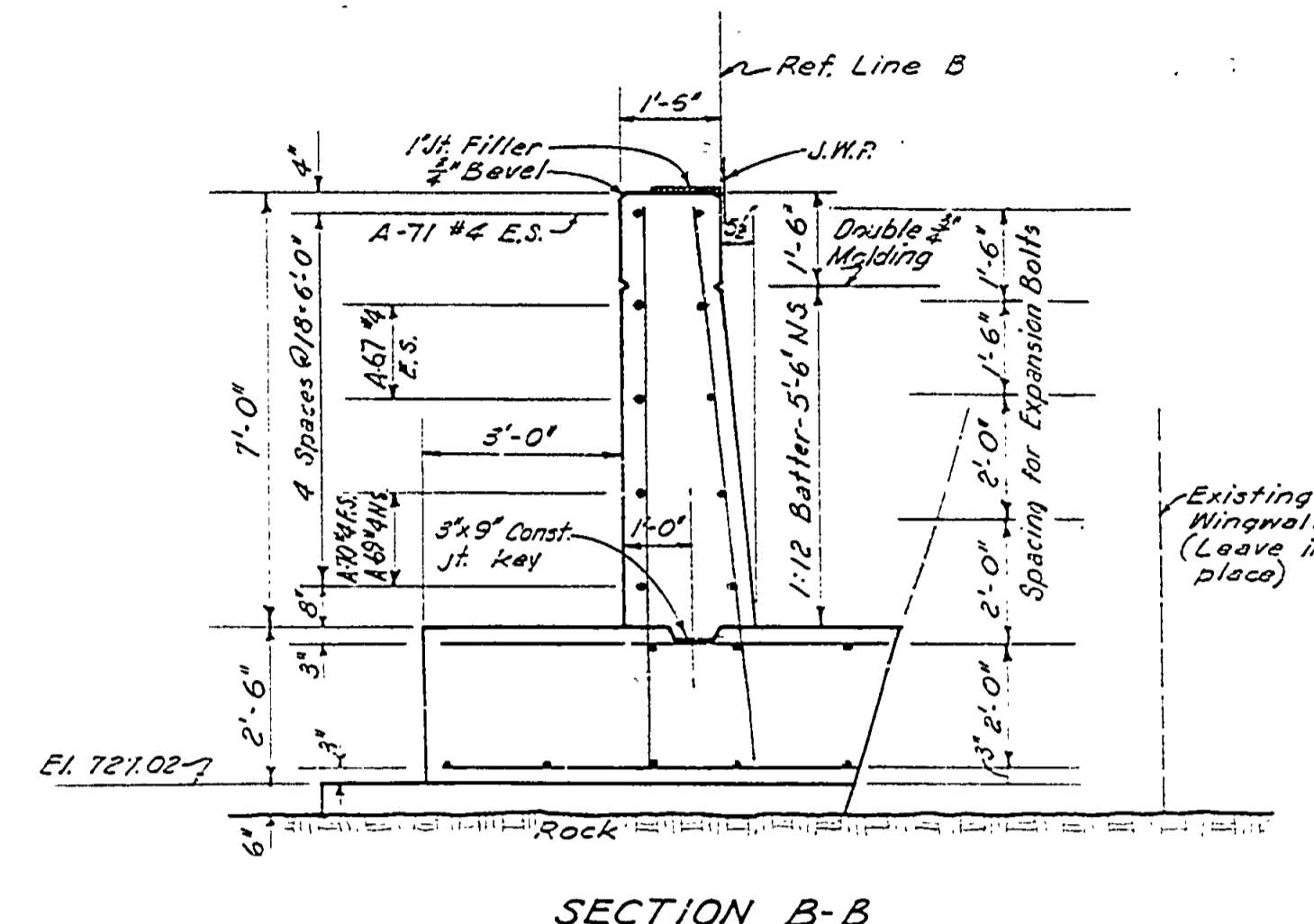
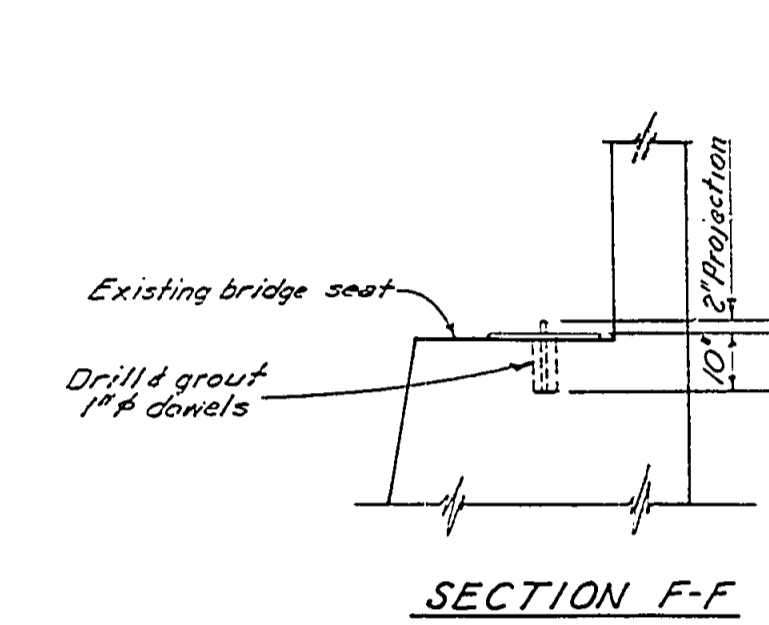
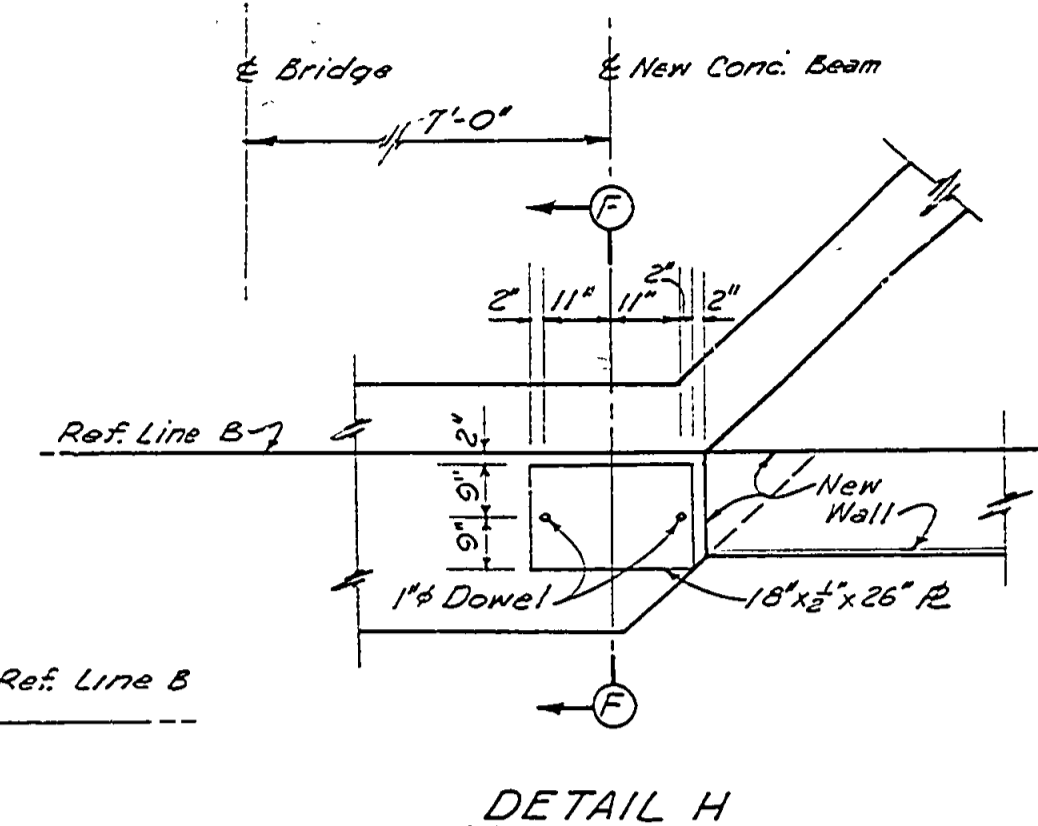
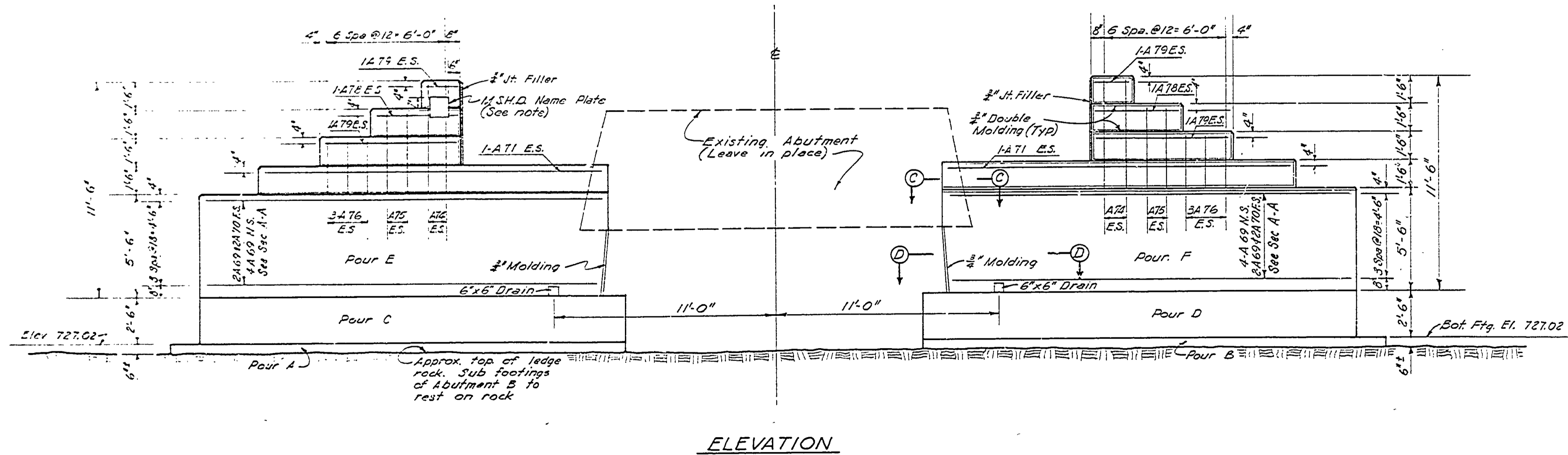
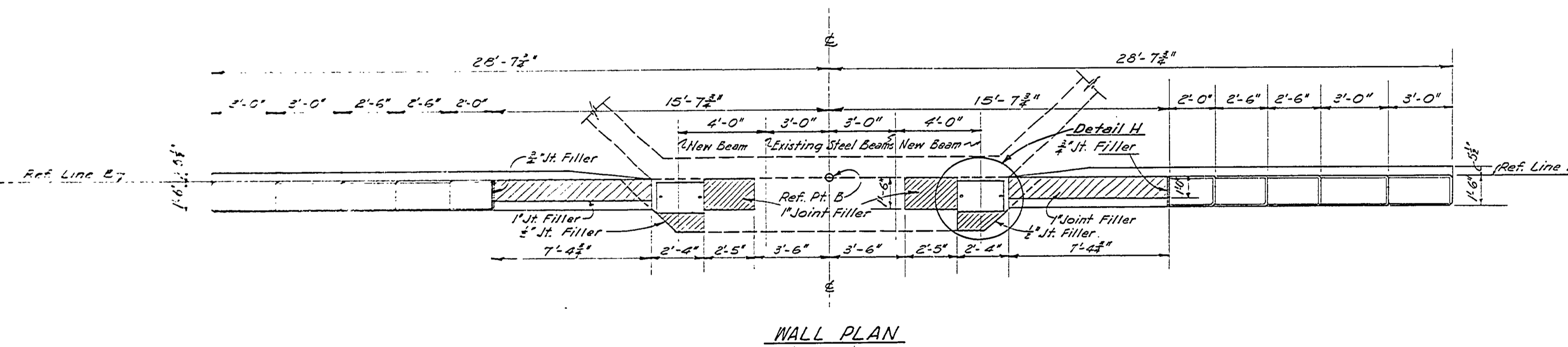
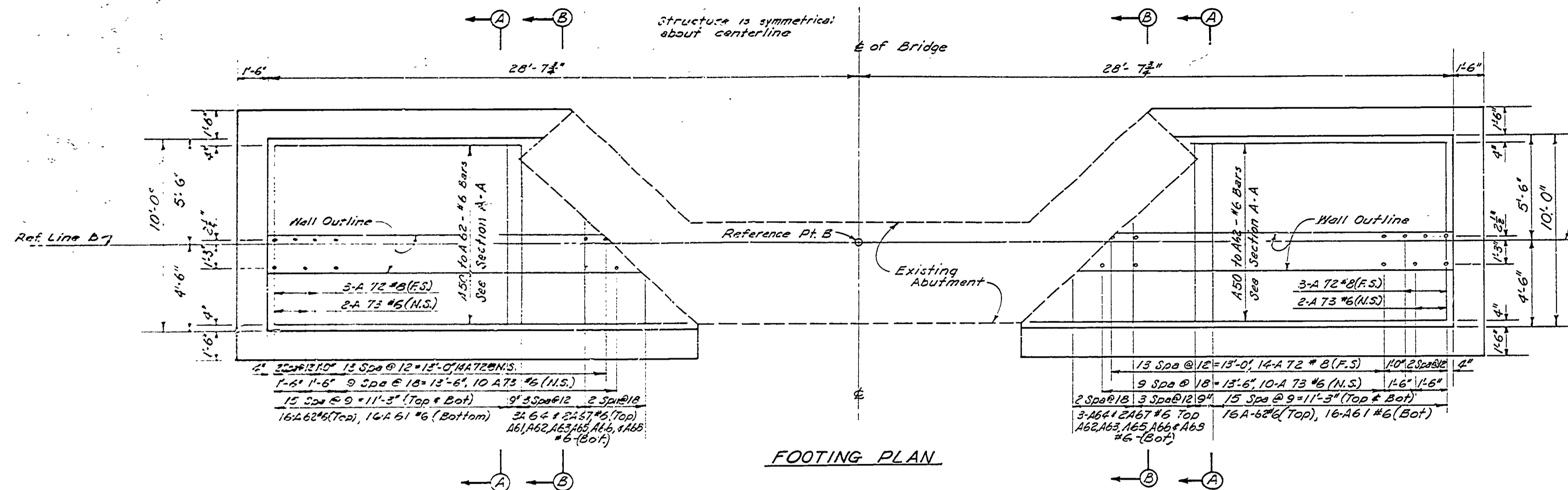


DESIGNED BY	W.L.E.
DRAWN BY	D.M.C.
CHECKED BY	
DATE	June 62
REVIEWED	ARCHITECTURAL
DATE	Sept 62
REVIEWED	ENGINEERING
DATE	10-10-62
REVIEWED	LANDSCAPE
APPROVED	
DATE	10-10-62
NO.	1
DATE	10-10-62
NO.	2
DATE	10-10-62
NO.	3
NO.	4
NO.	5
NO.	6



CONCRETE QUANTITIES		
GRADE A		
POUR	GA	GAA
A	4.4 Cu. Yds.	
B	4.4 Cu. Yds.	
C	15.0 Cu. Yds.	
D	15.0 Cu. Yds.	
E		9.8 Cu. Yds.
F		9.8 Cu. Yds.

MISCELLANEOUS QUANTITIES		
ITEM	UNIT	AMT.
Unclassified Excavation	Cu. Yd.	125
1/4" Joint Filler	Sq. Ft.	23
3/4" Joint Filler	Sq. Ft.	14
1/2" Joint Filler	Sq. Ft.	4
Joint Waterproofing	Sq. Ft.	24
Expansion Hook Bolts, 1/2"	Ea.	38
Porous Material, Grade A (L.M.)	Cu. Yd.	485

NOTES:
 N.S., E.S., and F.S. denotes Near Side, Each Side and Far side respectively.
 J.W.P. denotes Joint Waterproofing.
 Field bend reinforcement to clear drain holes.
 For mounting details of name plate see std sheet P10N.