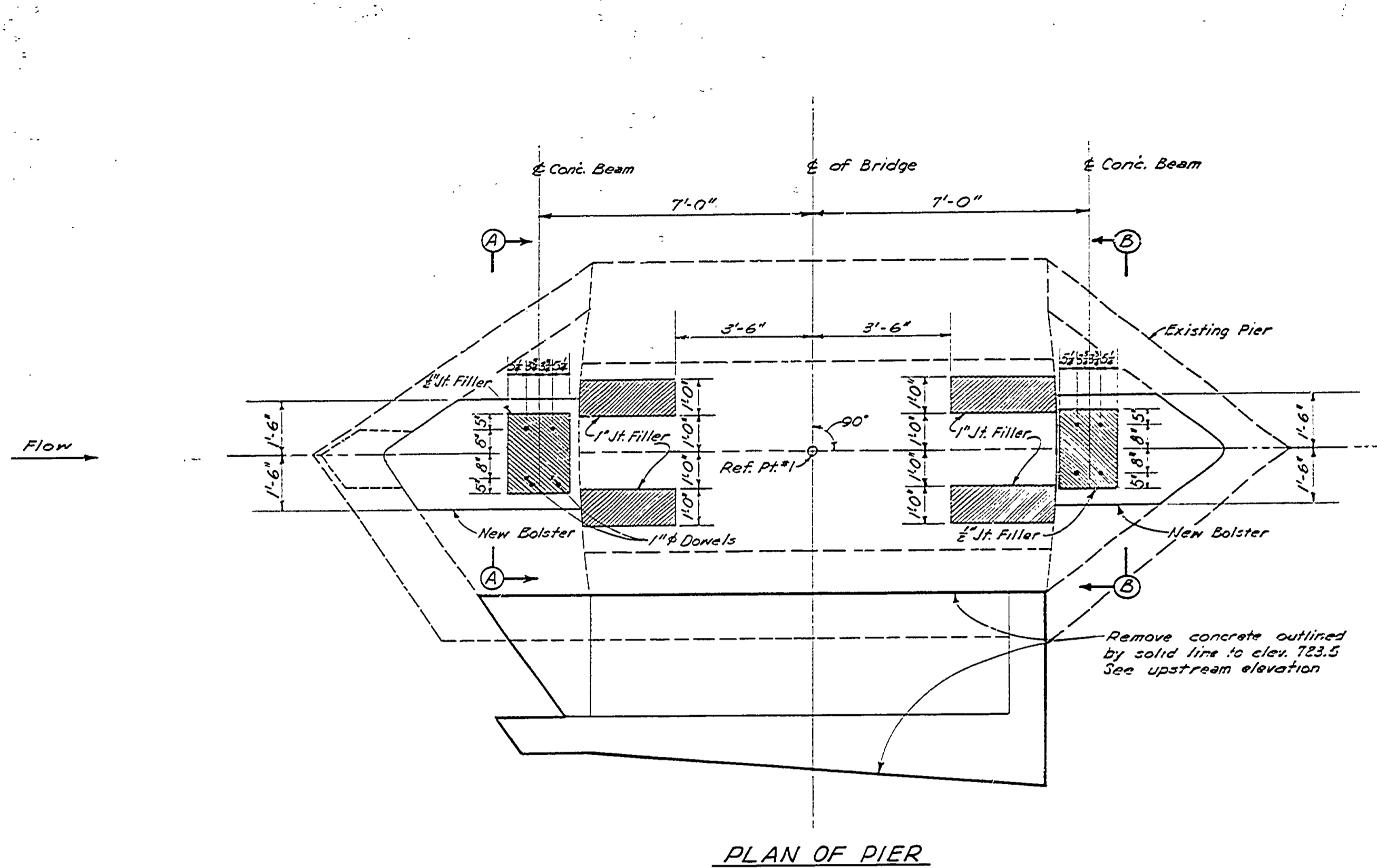
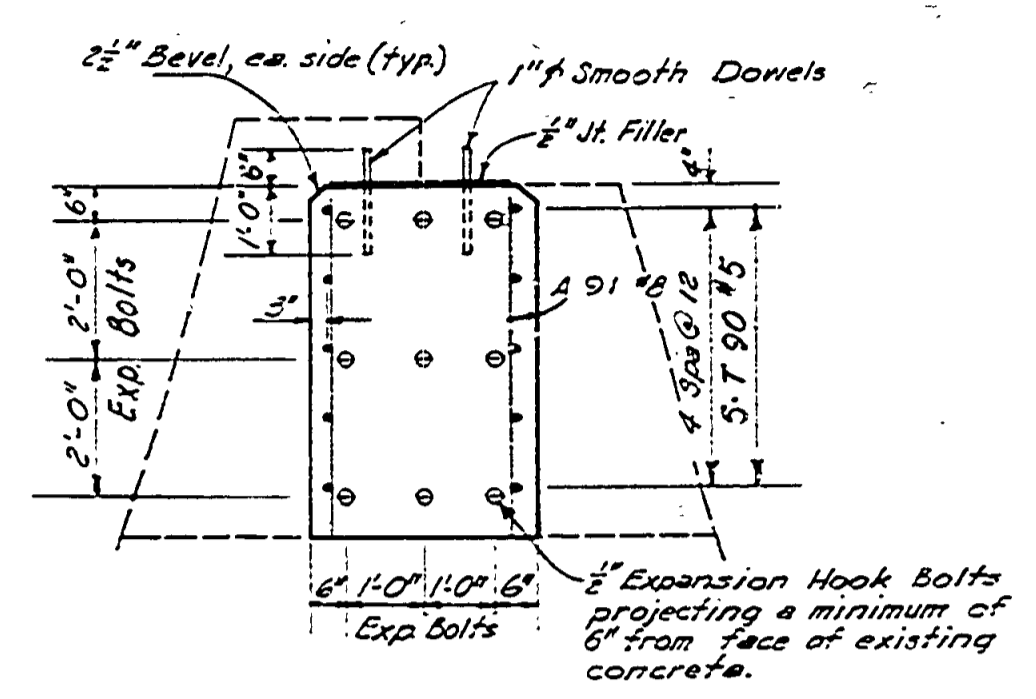


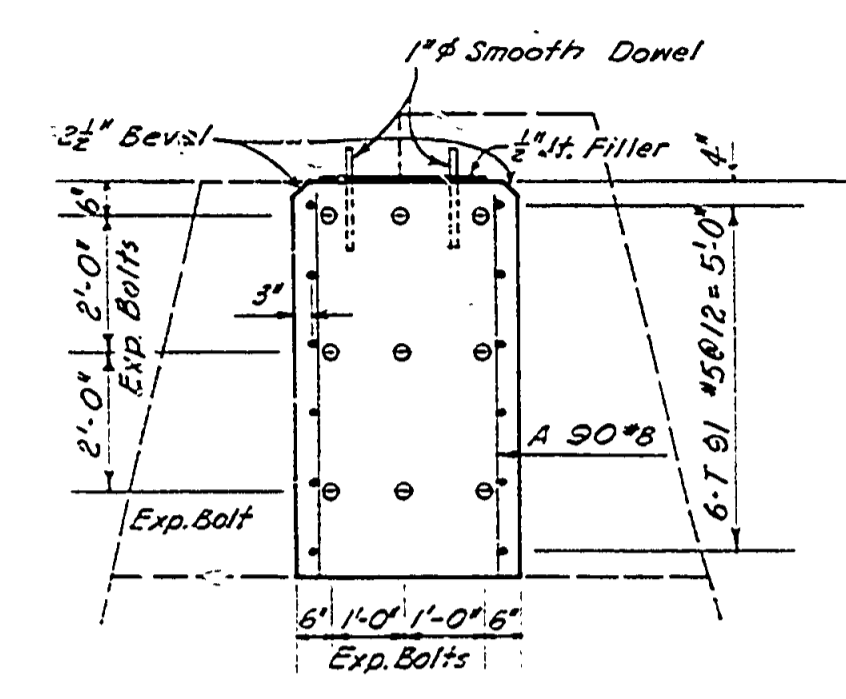
DESIGNED BY	DATE	REVIEWED	DATE	APPROVED	DATE	NO.	DATE	BY	REVISIONS	DATE	BY
W.H.E.	JUNE 62	ARCHITECTURAL				1			4		
D.M.C.	SEPT 62	ENGINEERING				2			5		
		LANDSCAPE				3			6		



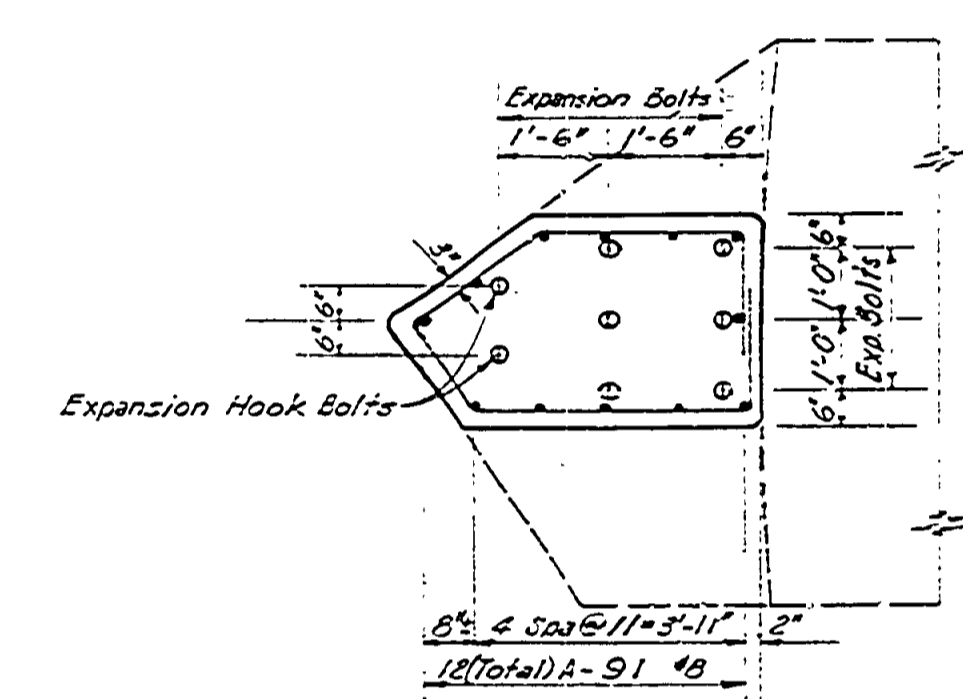
PLAN OF PIER



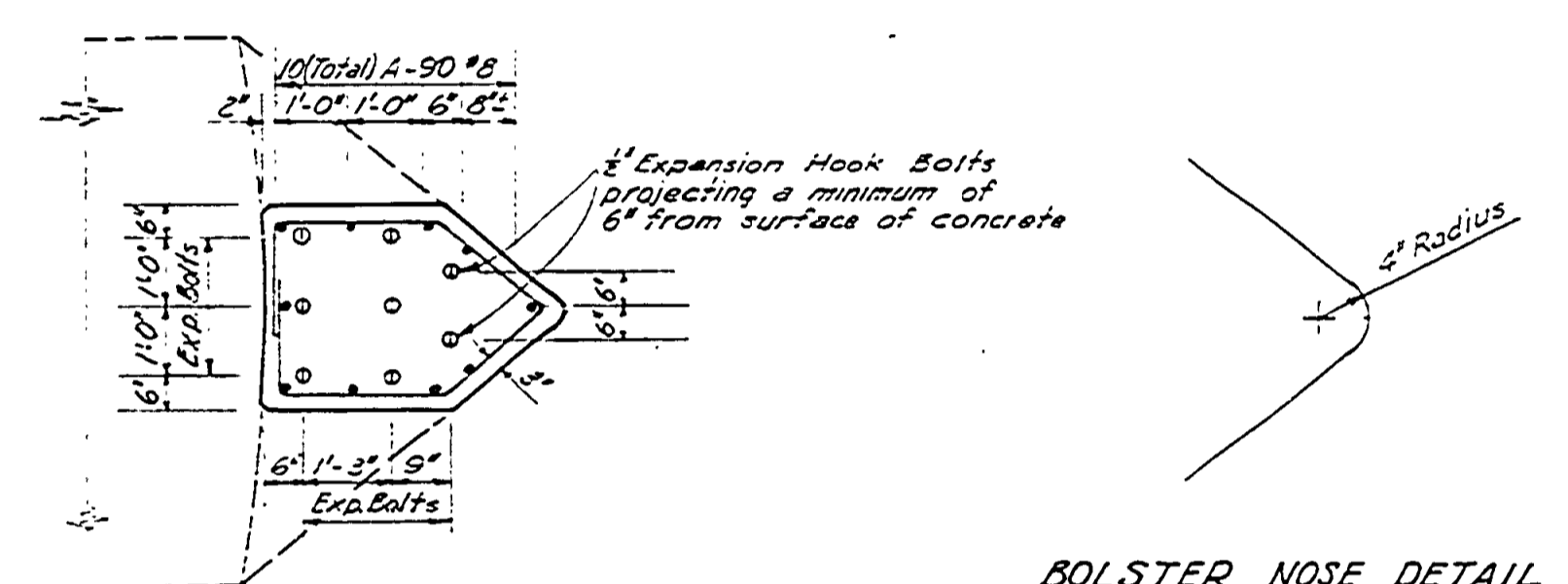
SECTION A-A



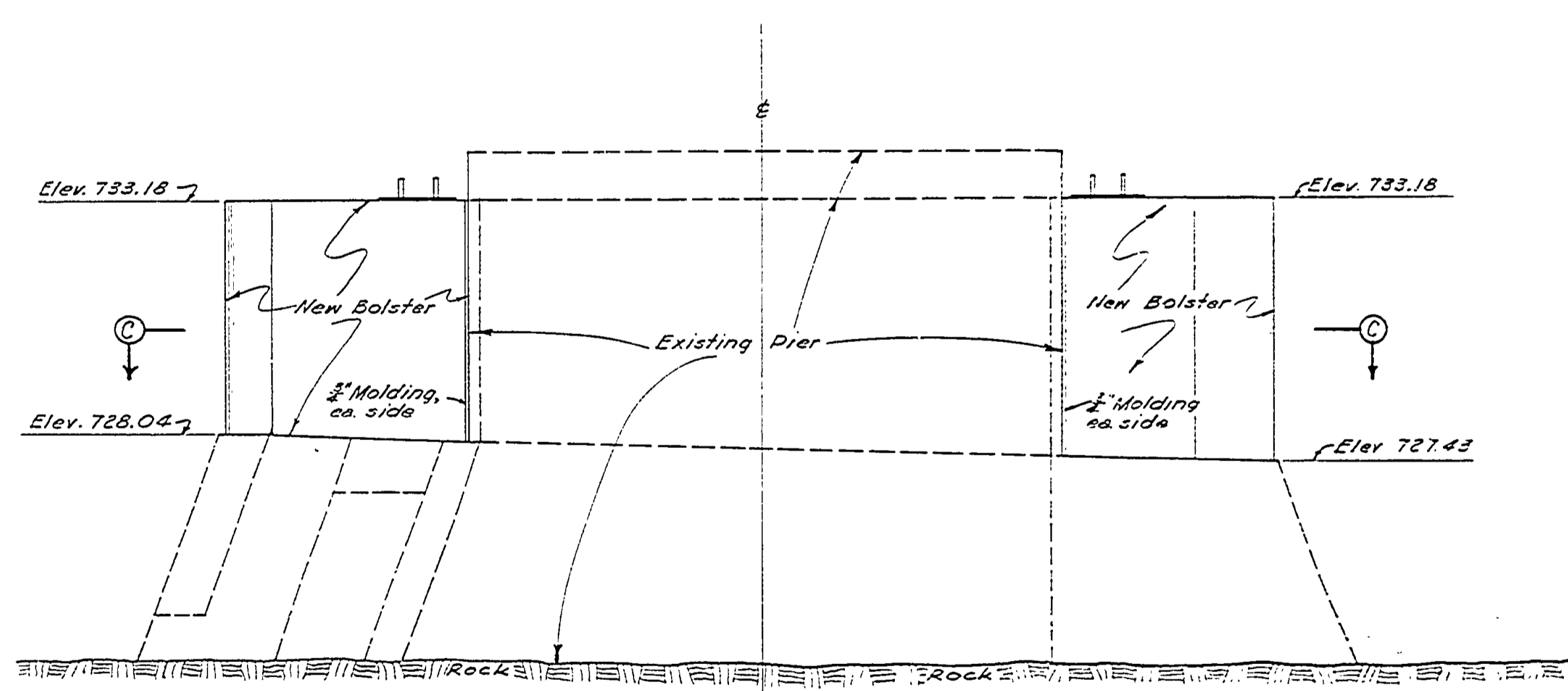
SECTION B-B



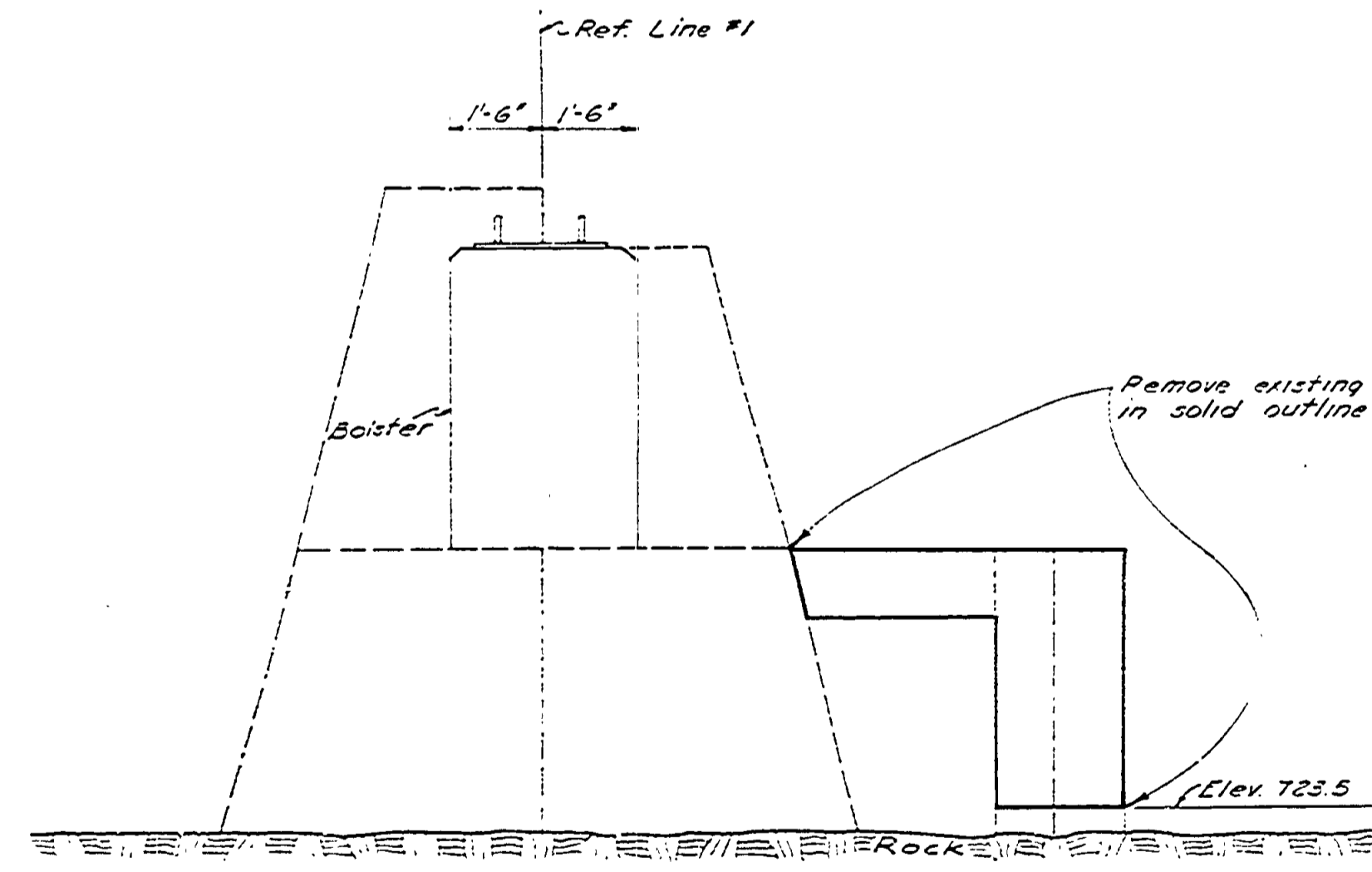
SECTION C-C



BOLSTER NOSE DETAIL



ELEVATION



UPSTREAM ELEVATION

Concrete Quantity-Grade A(64)4.6 Cu.Yds.

MISCELLANEOUS QUANTITIES		
ITEM	UNIT	AMT.
Removal of Portions of Existing Structure	L.S.	
1/2" Joint Filler	Sq. Ft.	11
3/4" Joint Filler	Sq. Ft.	7
Expansion Hook Bolts - 1/2"	Ea.	54

PLANS PREPARED BY
ENGINEERING & ARCHITECTURE
APPROVED *[Signature]* 10-11-62
ENGINEER IN CHARGE DATE

MICHIGAN
DEPARTMENT OF CONSERVATION
PARKS AND RECREATION DIVISION

PRESQUE ISLE RIVER BRIDGE
PIER DETAILS

SHEET
NO. 6
OF 10

PLAN NO.
E-109-E