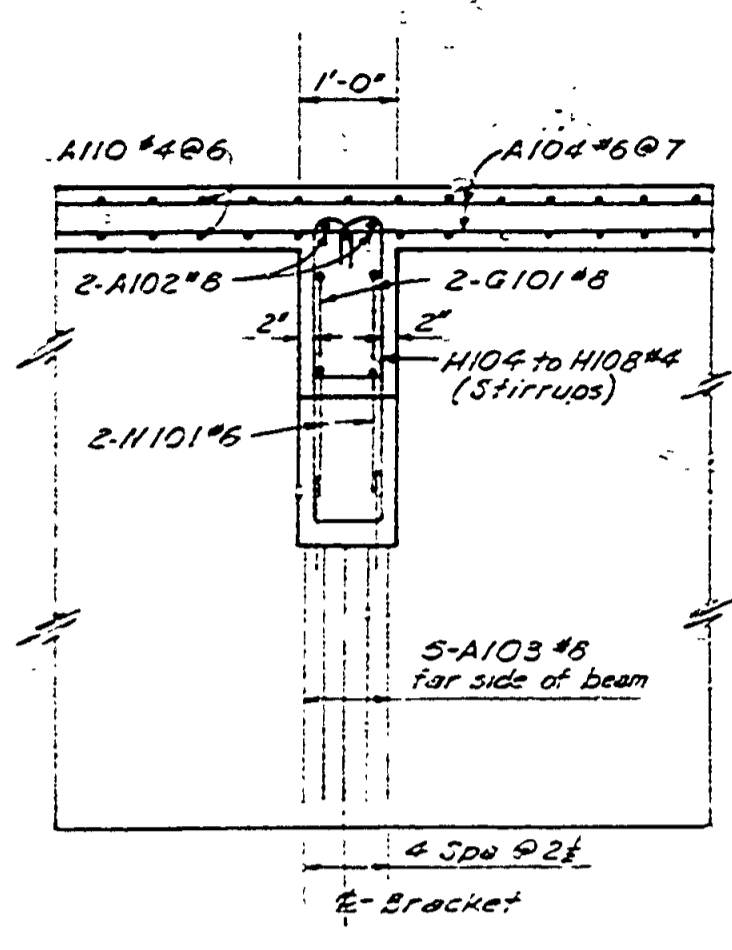
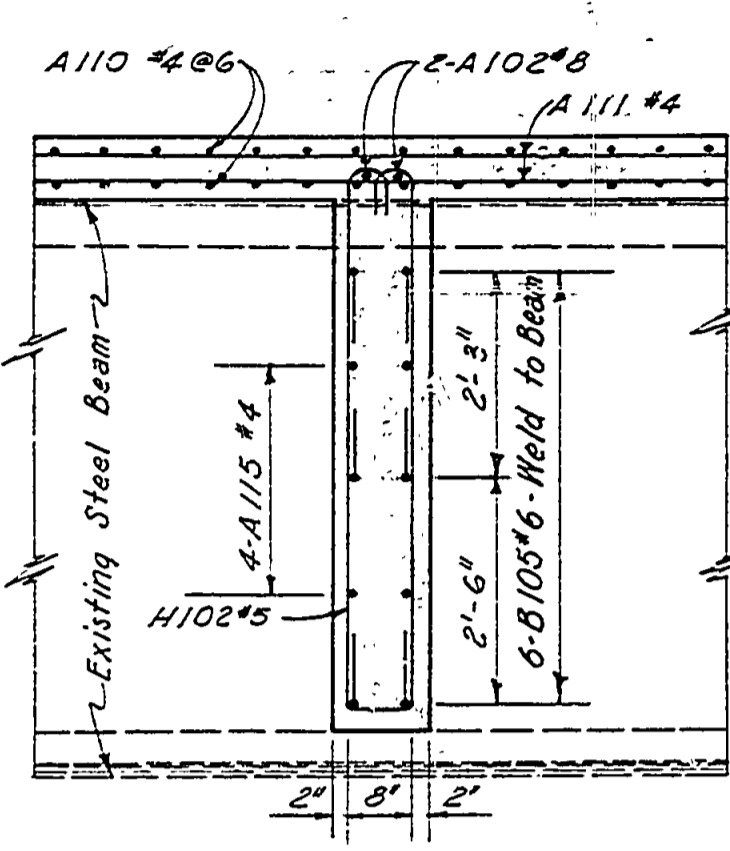


DATE	REVIEWED	DATE	APPROVED	DATE	NO.	DATE	BY	REVISIONS
June 62	ARCHITECTURAL	1/28/62		1				4
Sept. 62	ENGINEERING	3-11-62		2				5
	LANDSCAPE			3				6

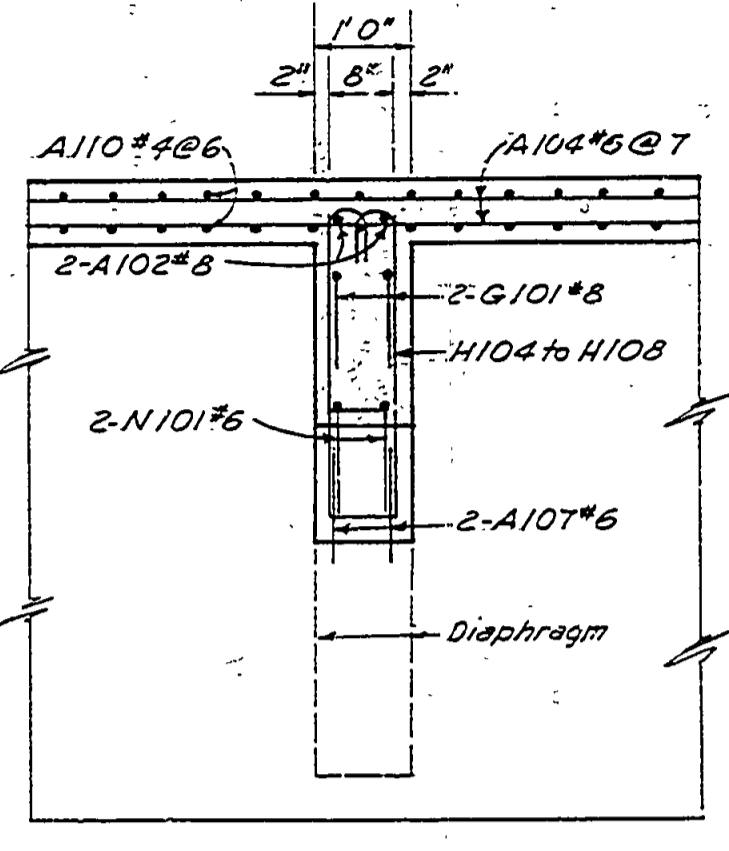
DESIGNED BY *M.H.E.*
 DRAWN BY *D.M.C.*
 CHECKED BY



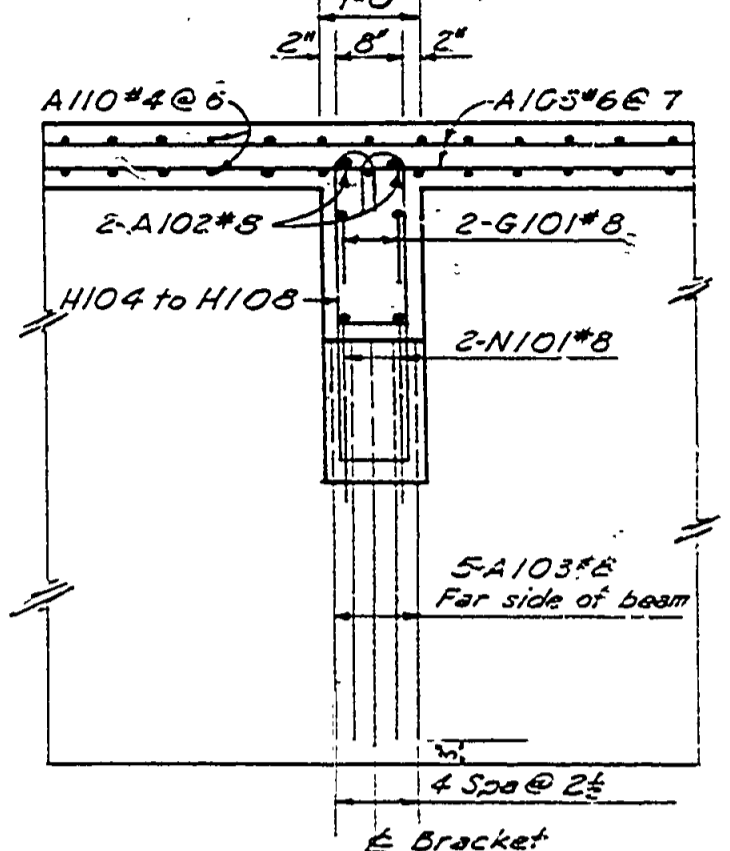
SECTION G-G



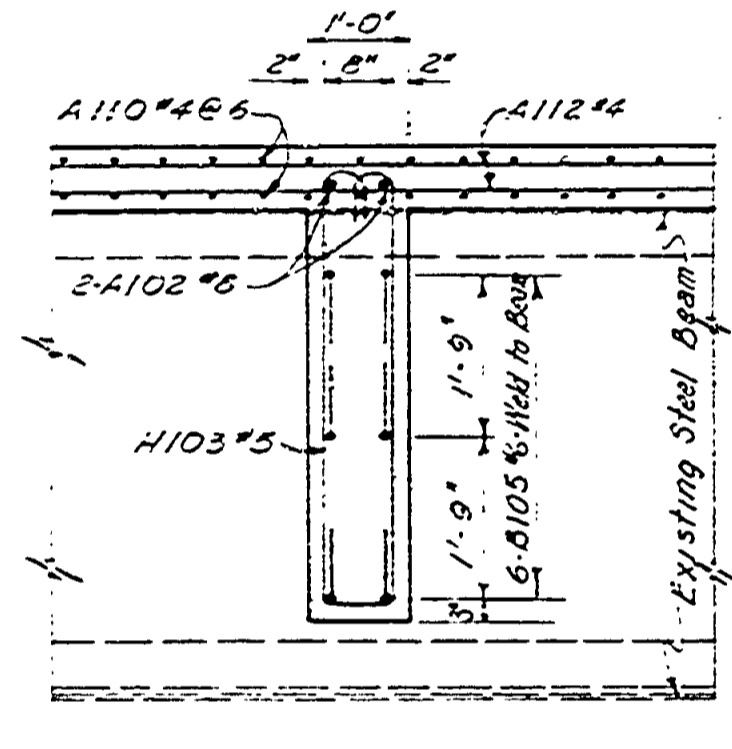
SECTION H-H



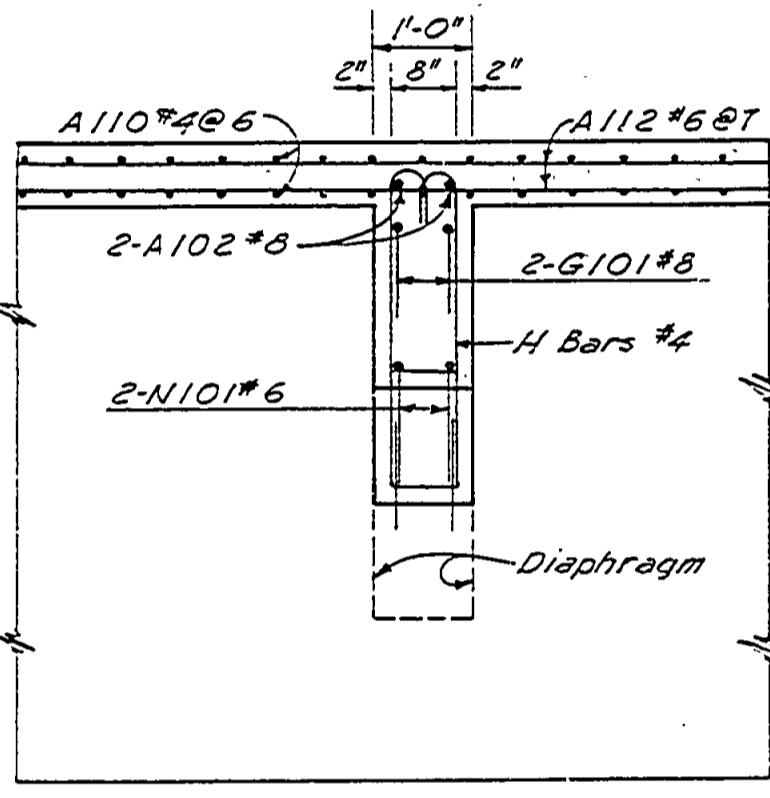
SECTION J-J



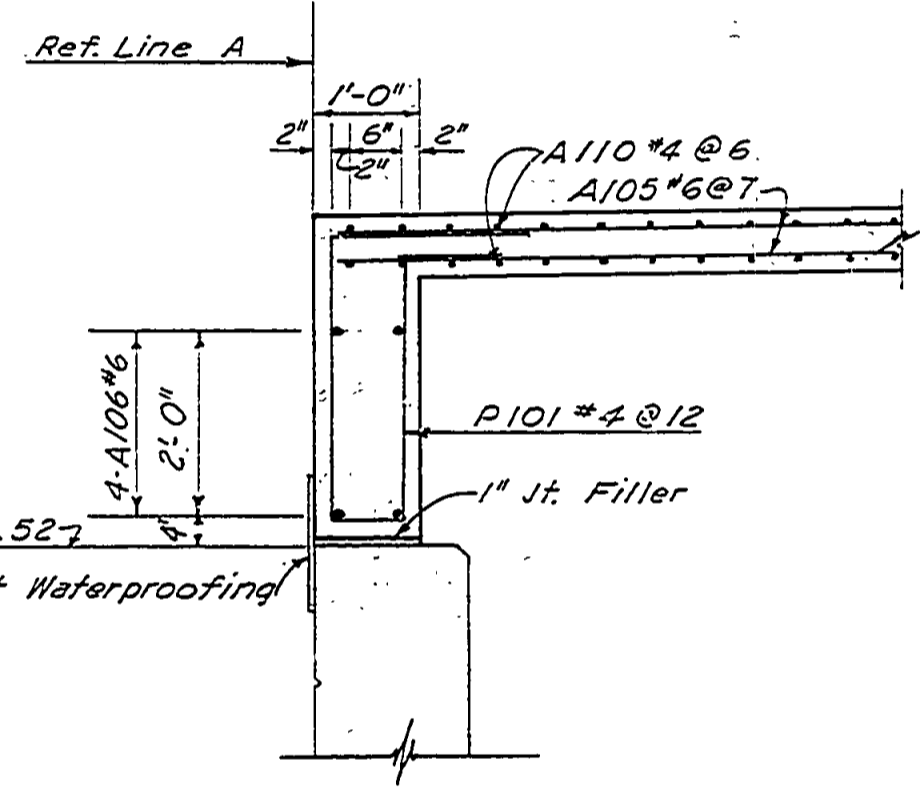
SECTION K-K



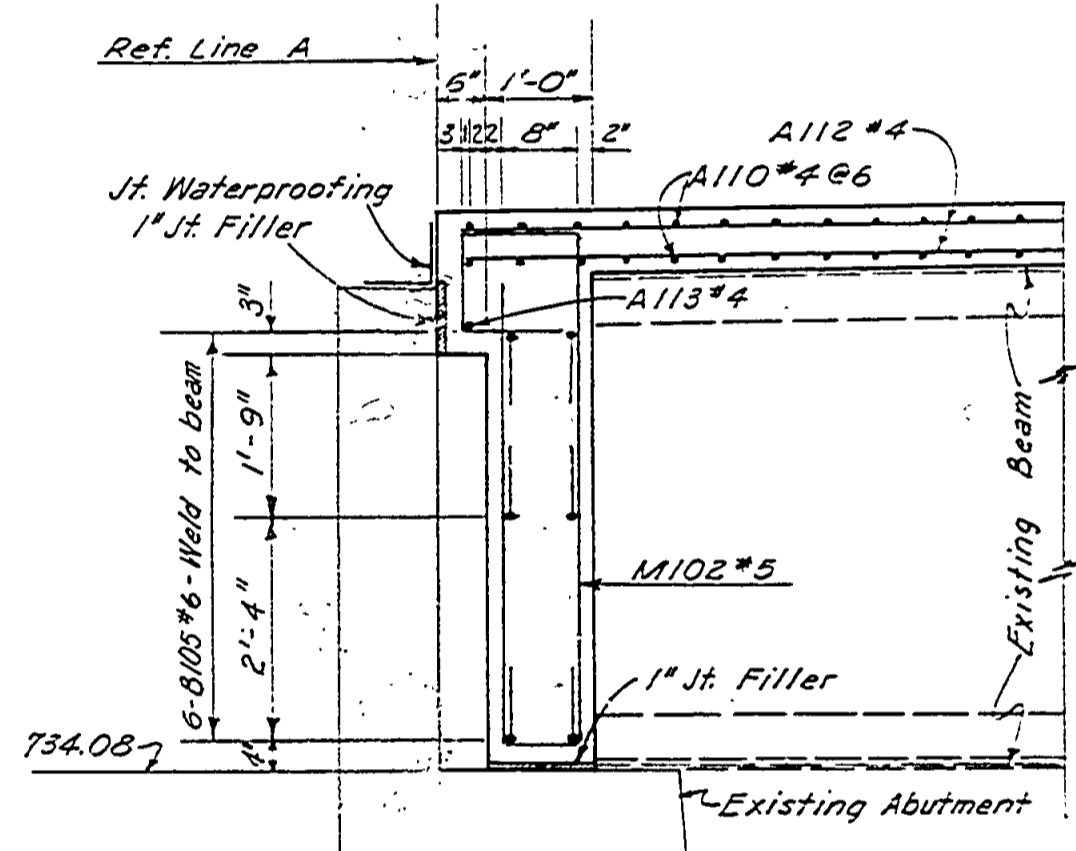
SECTION L-L



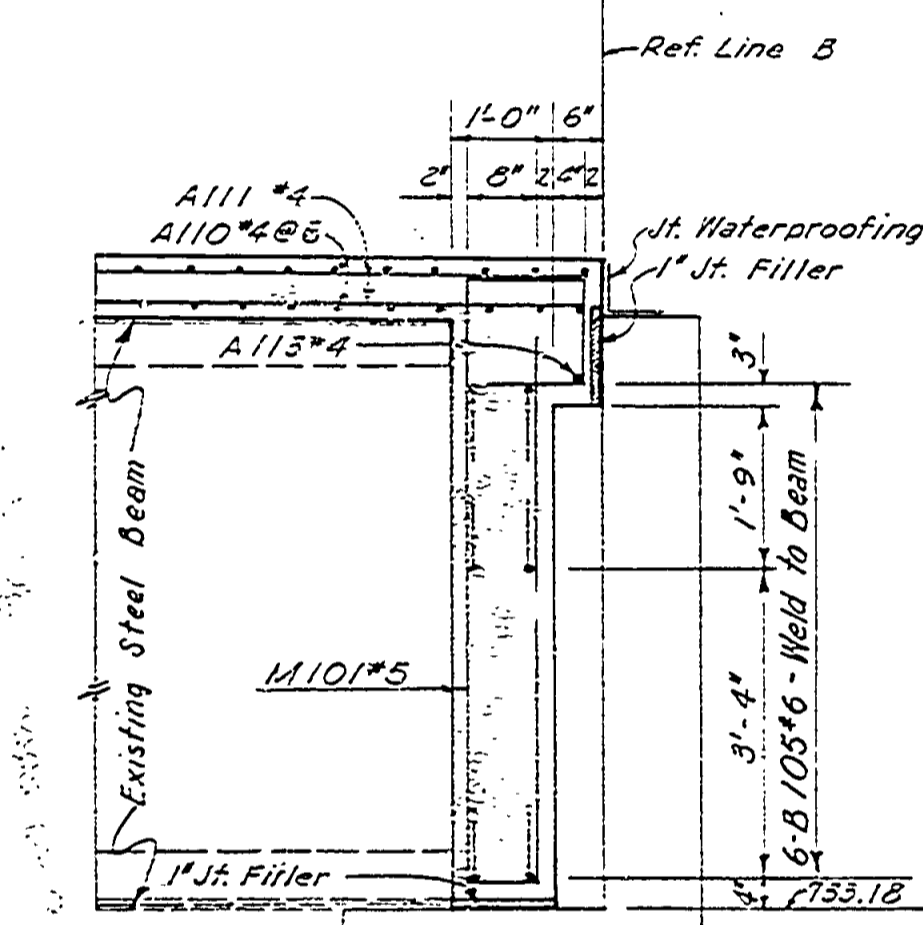
SECTION M-M



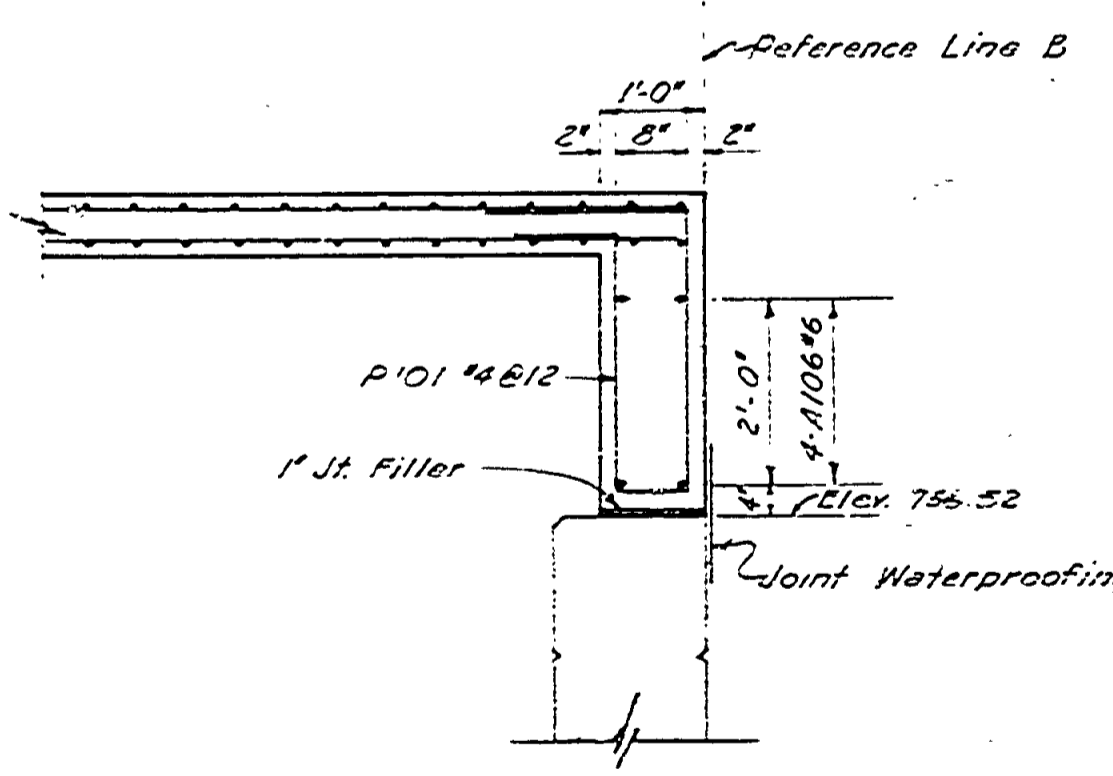
SECTION N-N



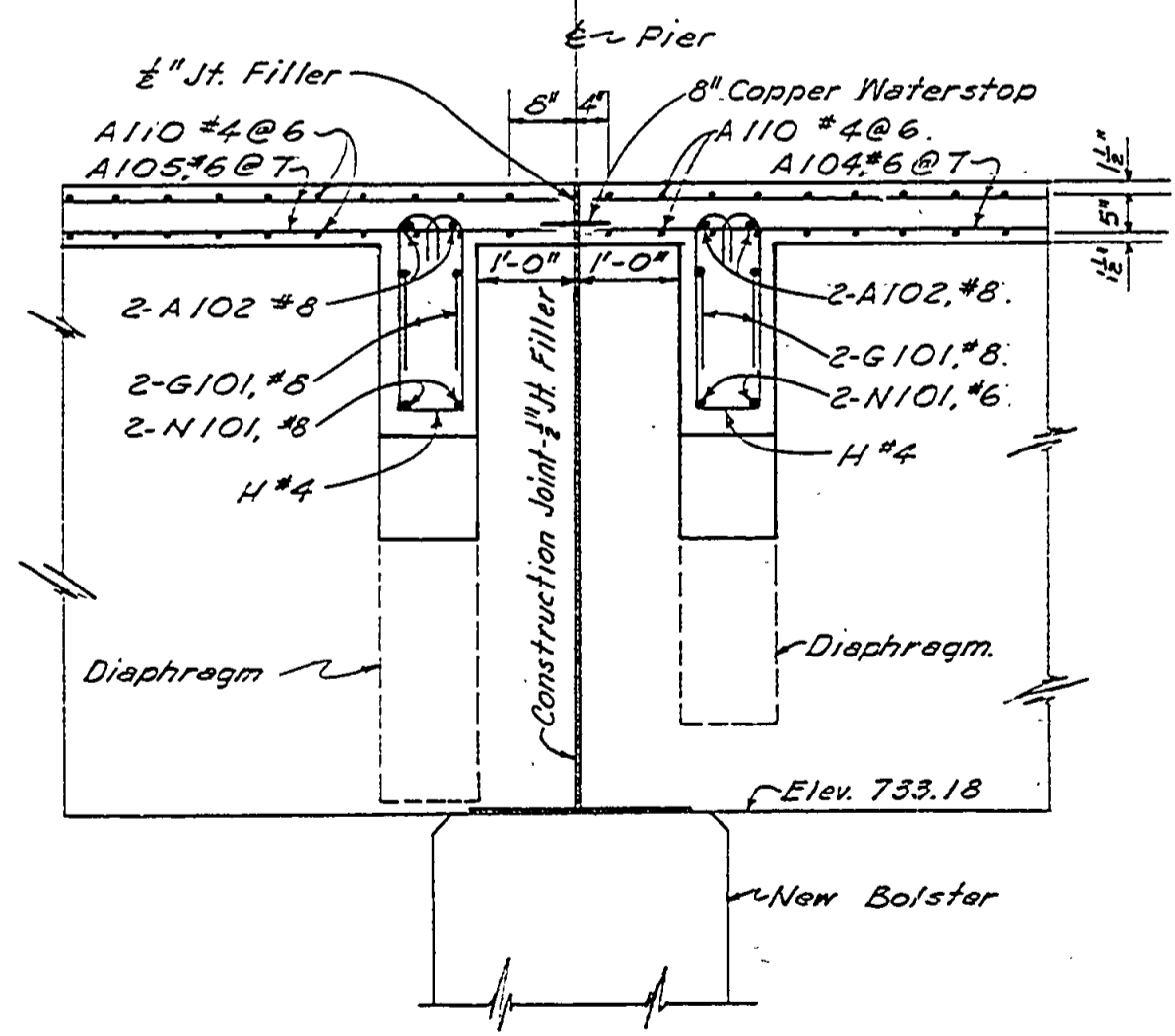
SECTION O-O



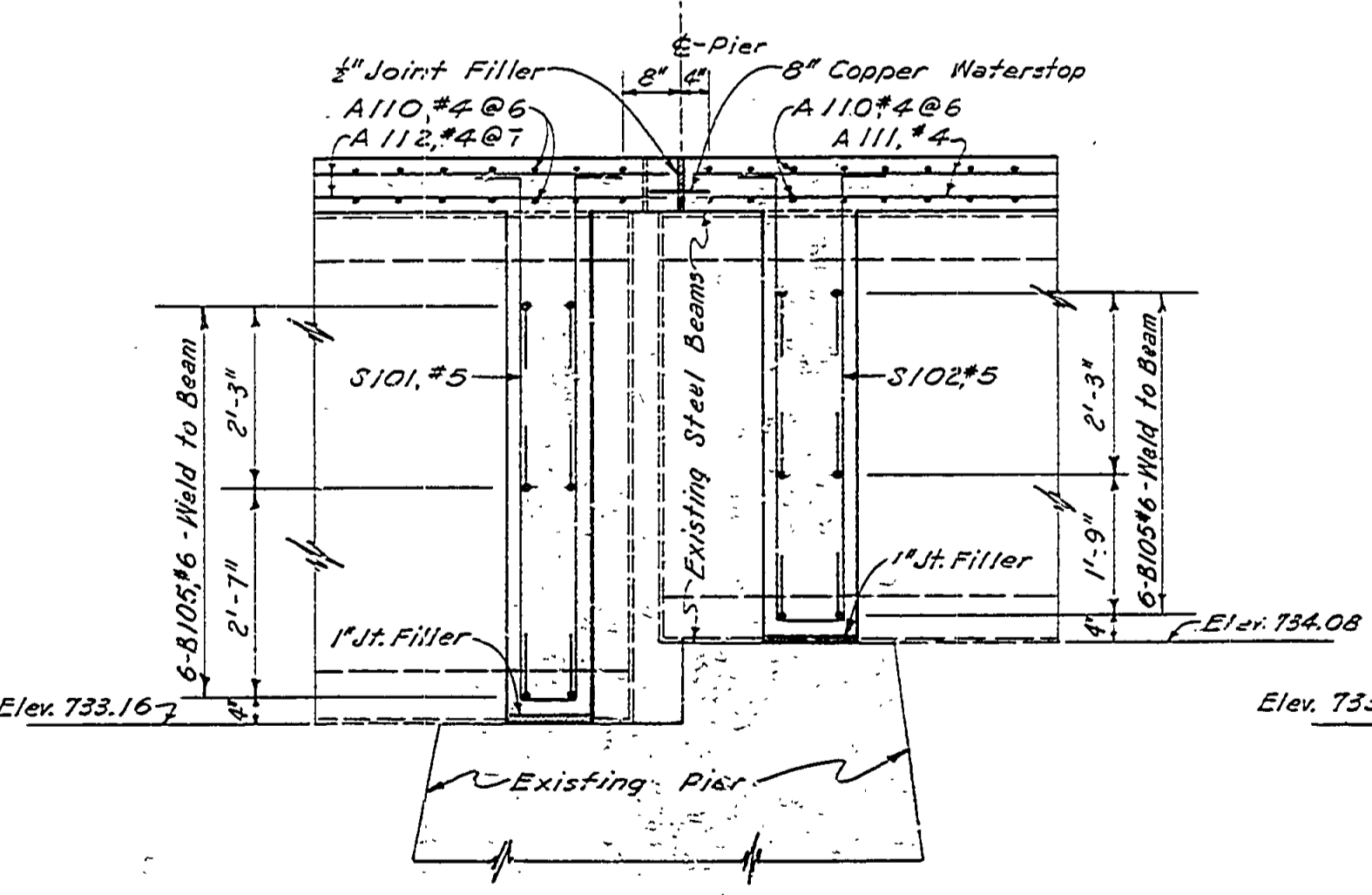
SECTION P-P



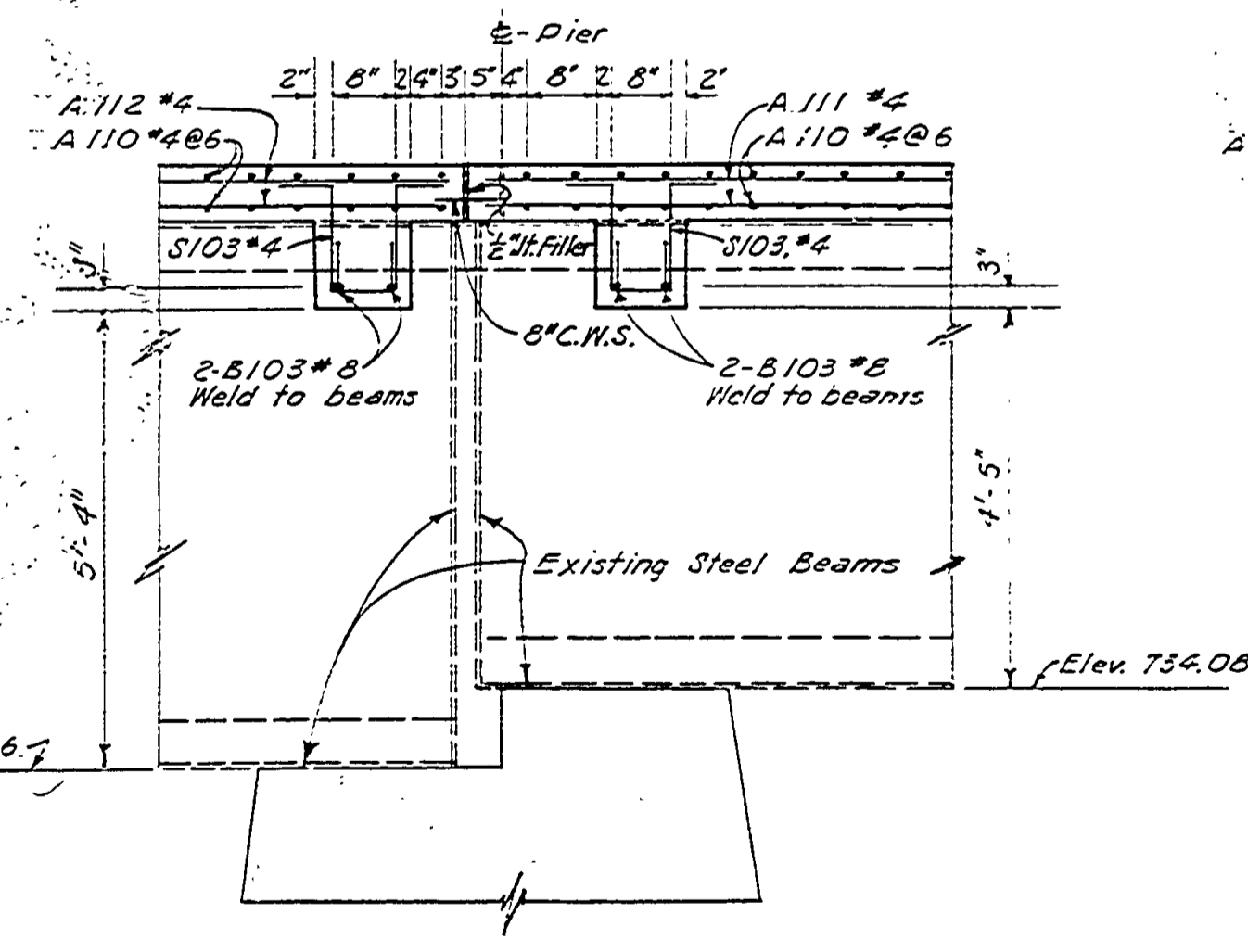
SECTION Q-Q



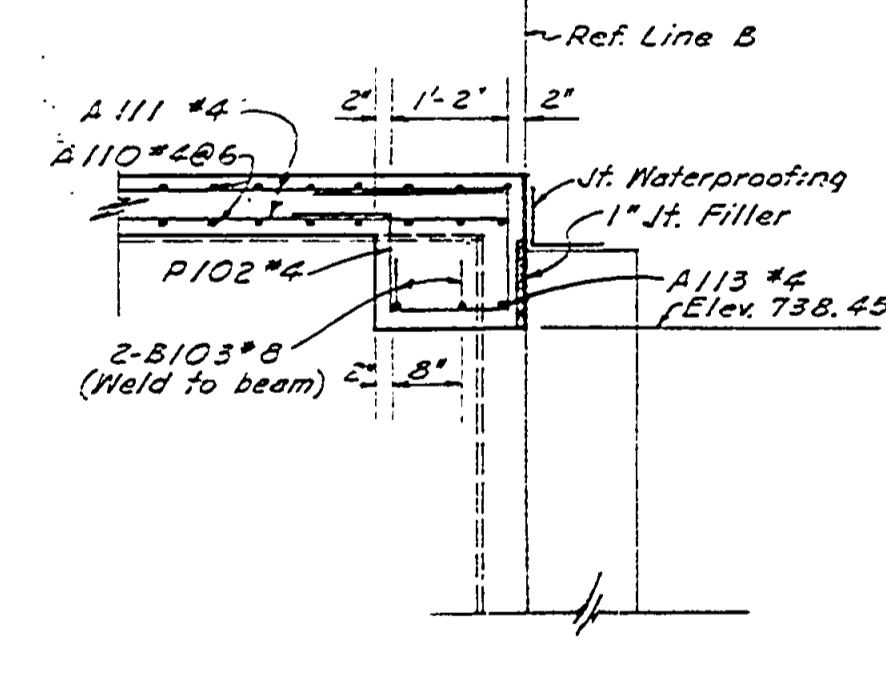
SECTION R-R



SECTION S-S



SECTION T-T



SECTION U-U