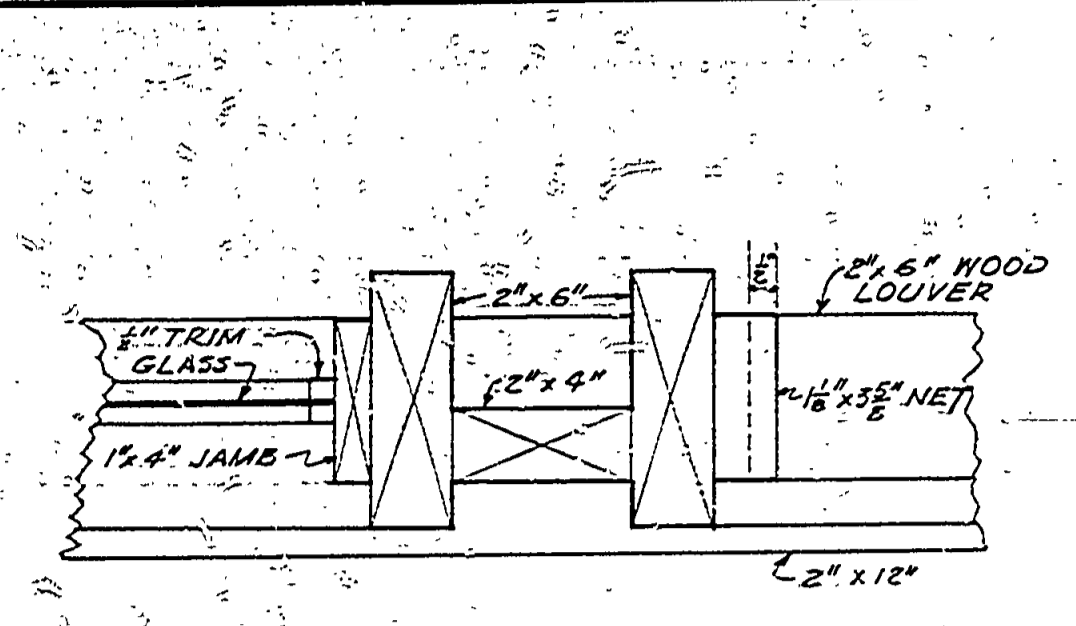
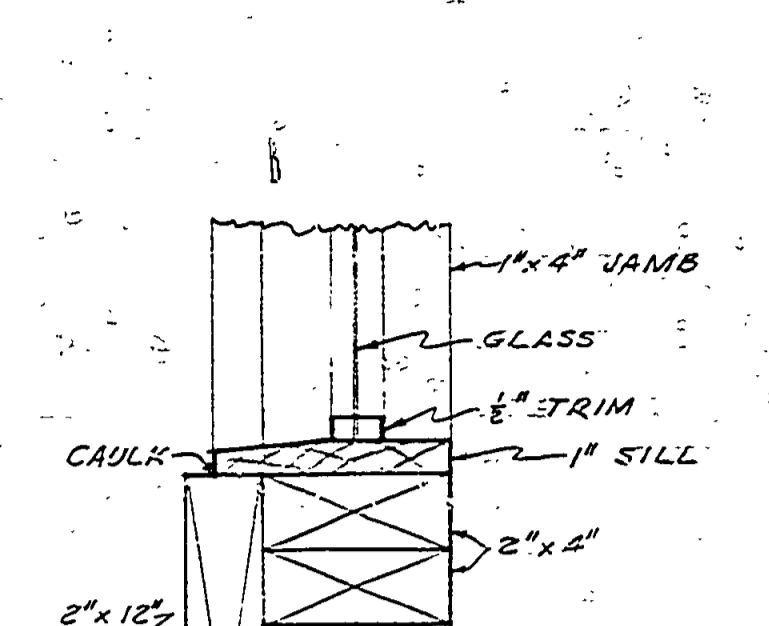


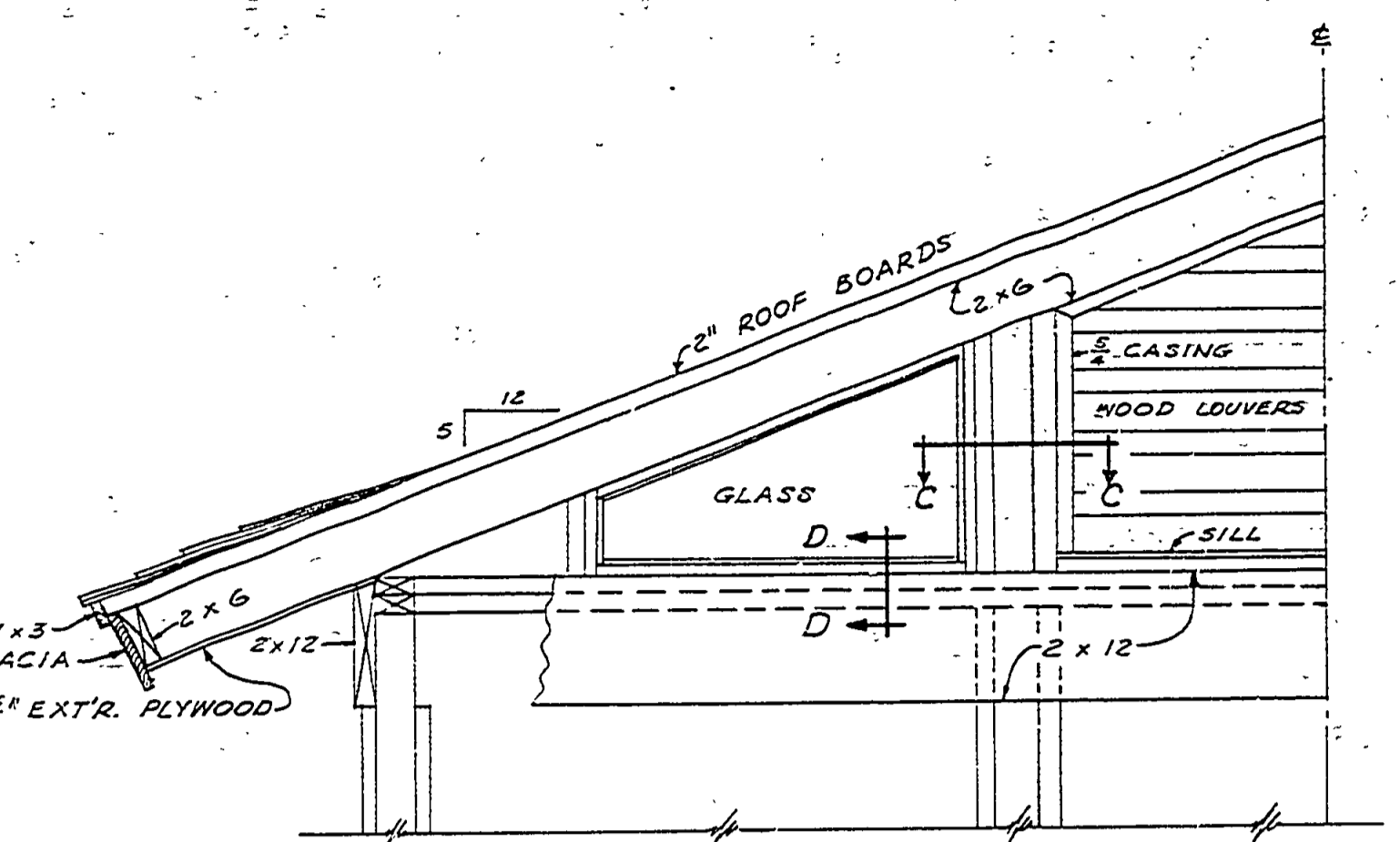
DATE	REVIEWED	DATE	APPROVED	DATE	NO.	DATE	BY	REVISIONS
Jan '65	ARCHITECTURAL	1		1	1			4
Jan '65	ENGINEERING	2		2	2			5
	LANDSCAPE	3		3	3			6



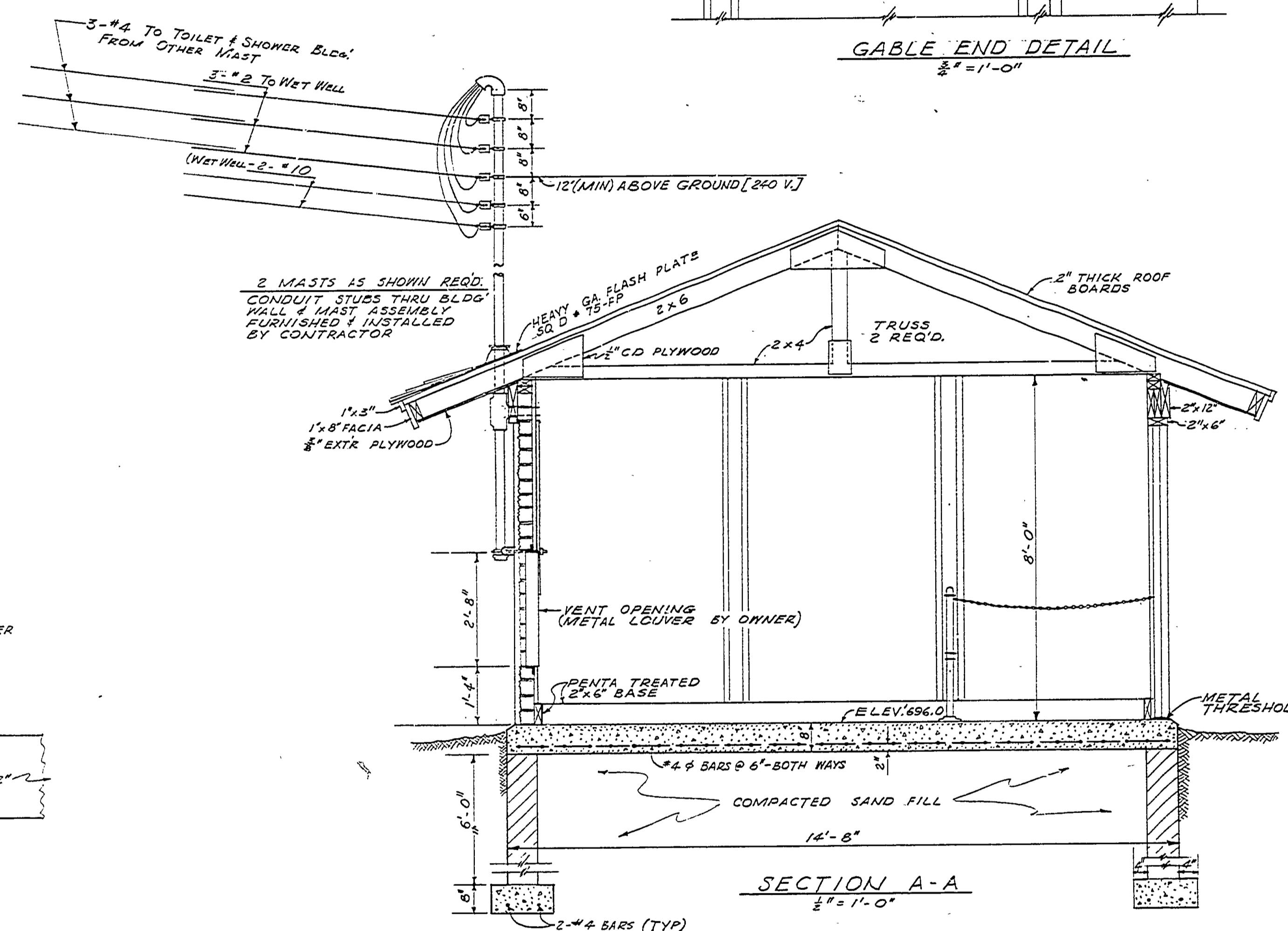
SECTION C-C  
3/4" = 1'-0"



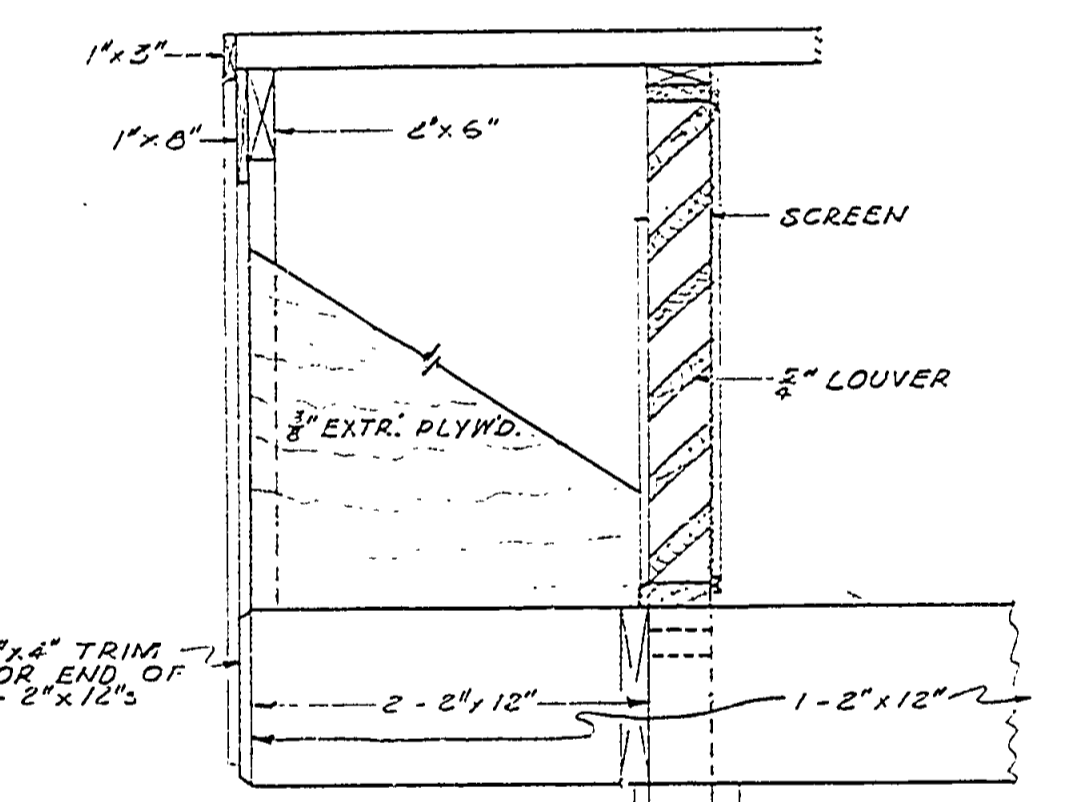
SECTION D-D  
3/4" = 1'-0"



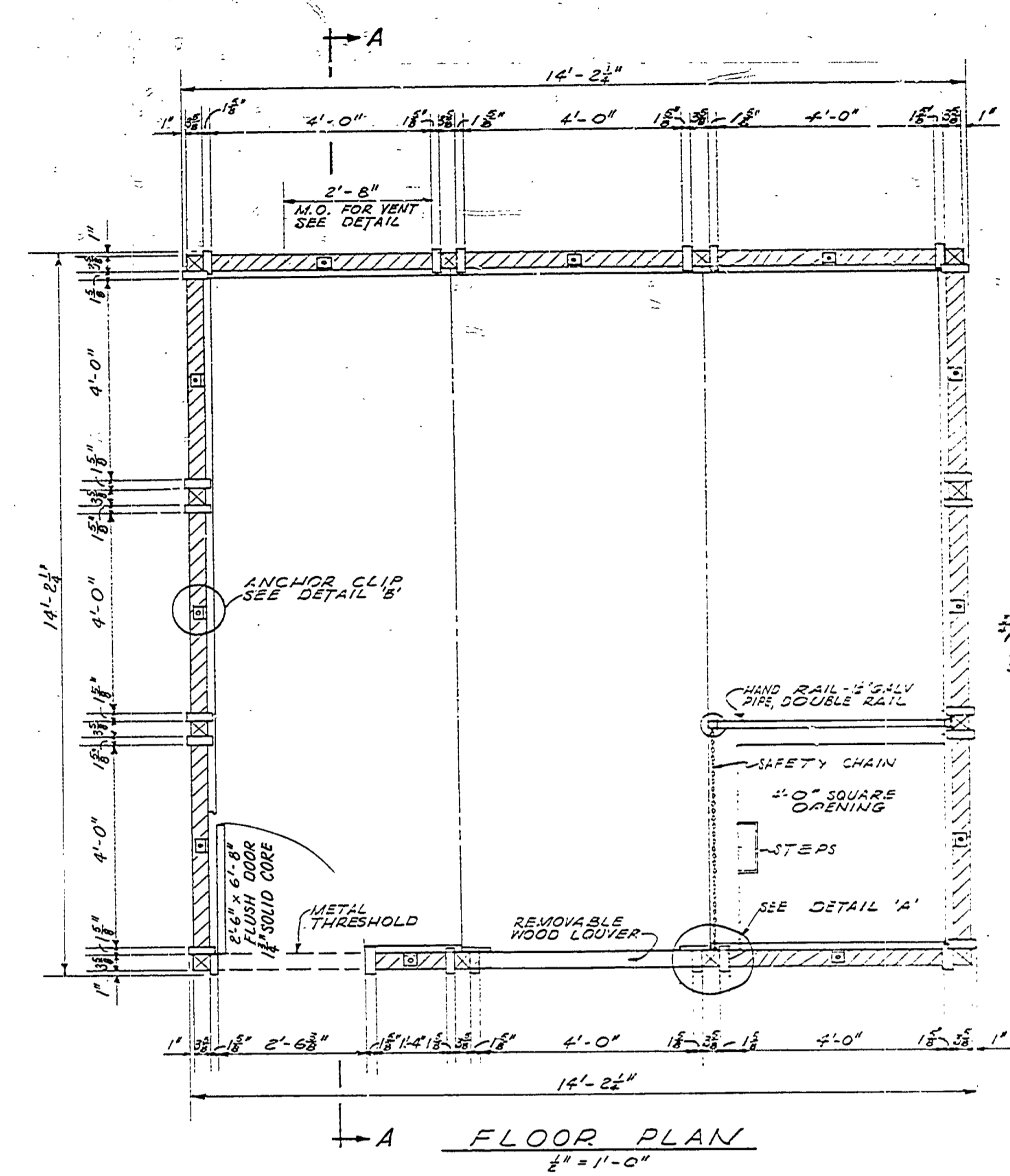
GABLE END DETAIL  
3/4" = 1'-0"



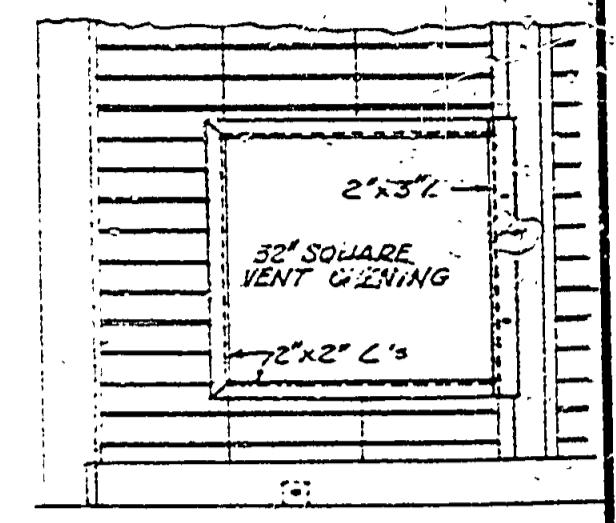
SECTION A-A  
3/4" = 1'-0"



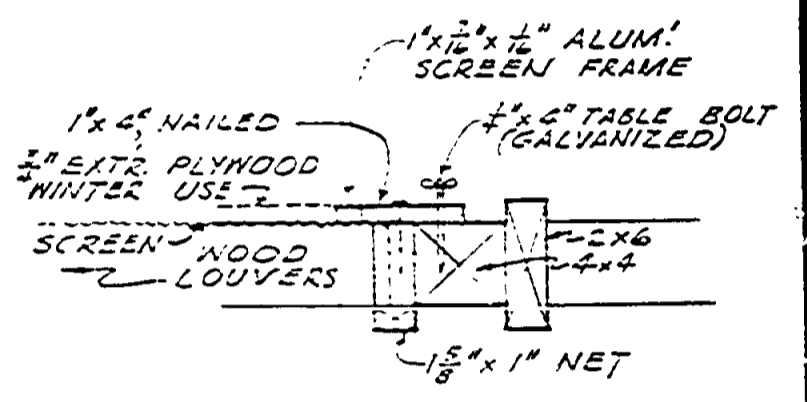
SECTION B-B  
1" = 1'-0"



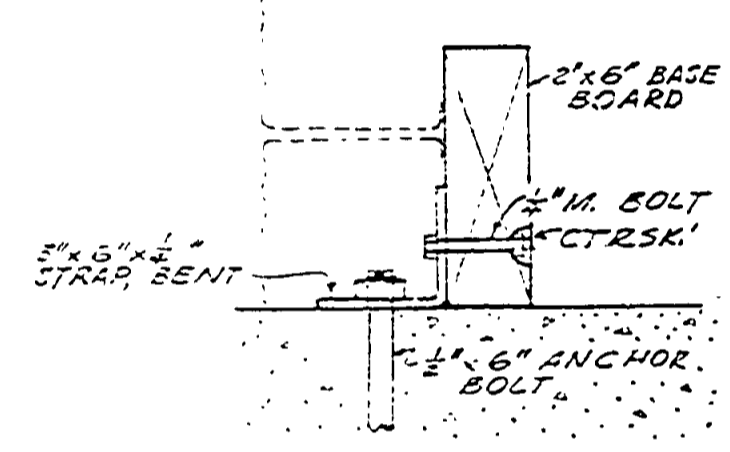
FLOOR PLAN  
3/4" = 1'-0"



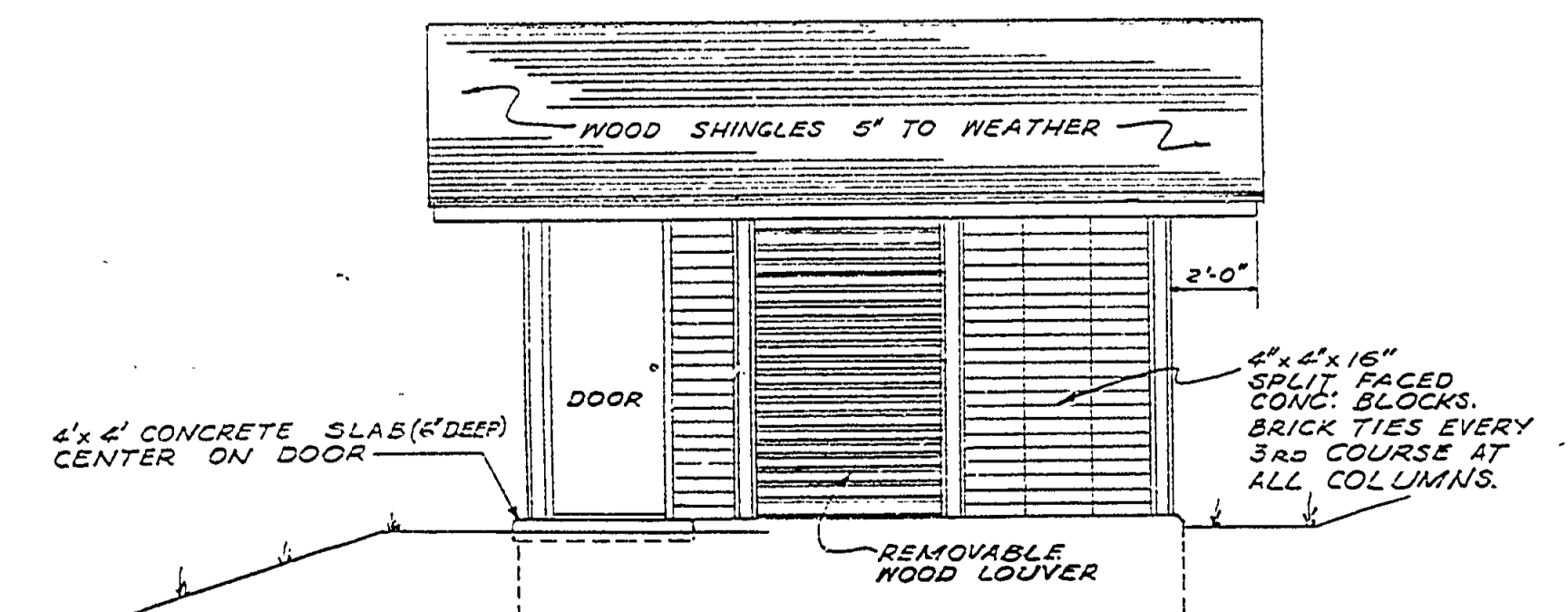
DETAIL OF VENT OPENING  
3/4" = 1'-0"



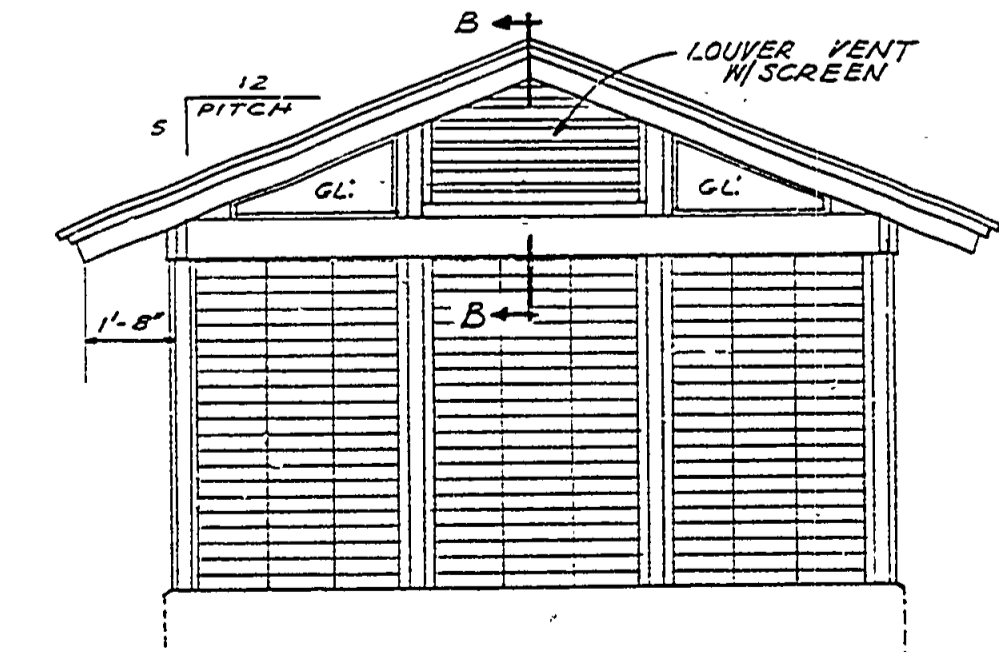
DETAIL 'A'  
1/2" = 1'-0"



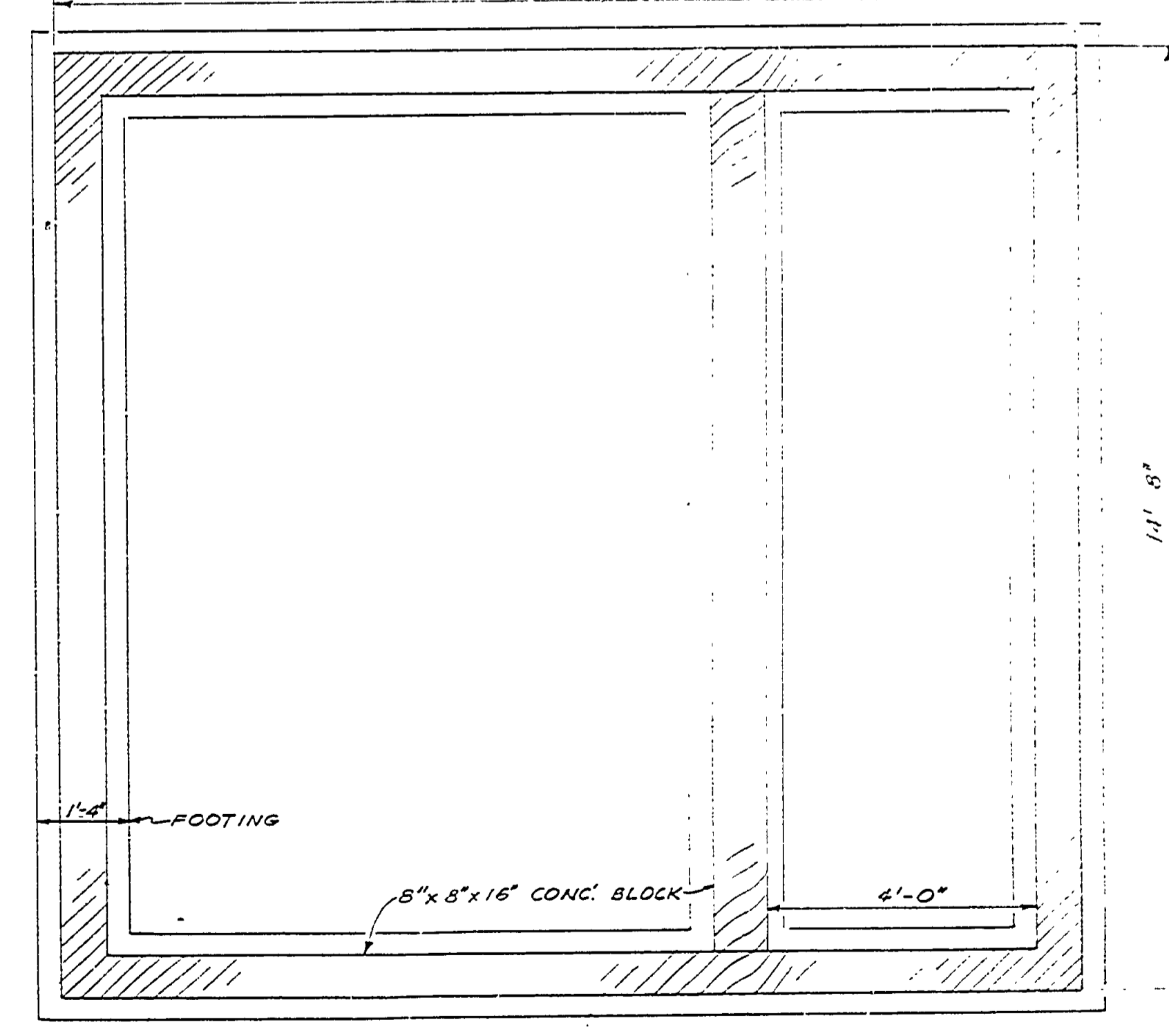
DETAIL 'B'  
3/4" = 1'-0"



WEST ELEV.  
1/2" = 1'-0"



END ELEV.  
(BOTH SAME)  
1/2" = 1'-0"



FOUNDATION PLAN  
3/4" = 1'-0"

MICHIGAN  
DEPARTMENT OF CONSERVATION  
PARKS AND RECREATION DIVISION

PORCUPINE MOUNTAINS STATE PARK  
PRESQUE ISLE SECTION  
GENERATOR PLANT HOUSE

SHEET  
NO. 6  
OF 7

PLAN NO.  
E-118