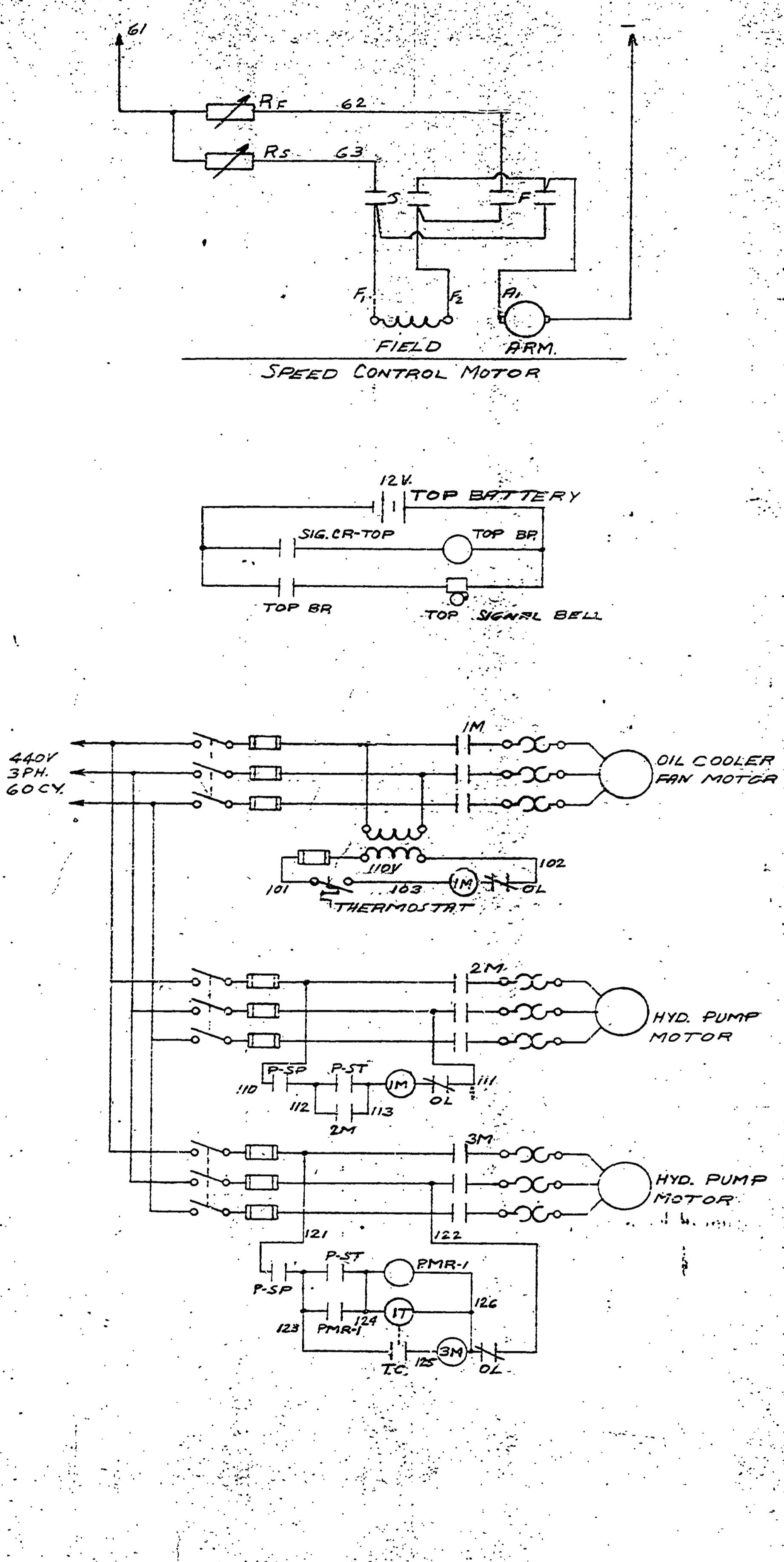
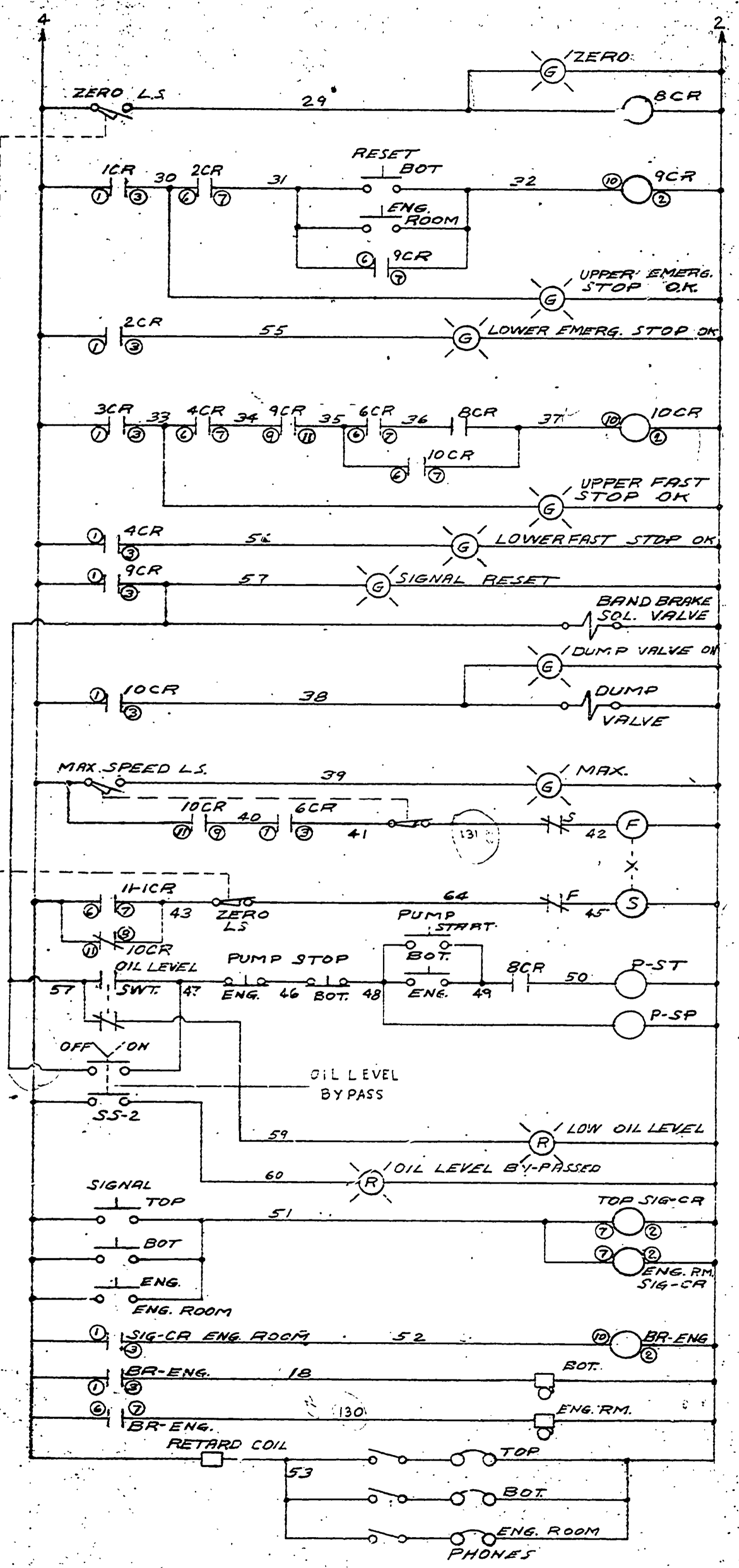


C.W.O.T.: COUNTER WEIGHT OVERTRAVEL  
 O.S.L.S.: OVER SPEED LIMIT SWITCH  
 B.T.L.S.: BACK-TRAVEL LIMIT SWITCH



ITEM NO.	REVISION	DESCRIPTION
1CR	P&B JML 1160-81	
2CR	" KRP 14DG 12VDC	
3CR	" JML 1160-81	
4CR	" KRP 14DG	
5CR	" JML 1160-81	
51CR	" KRP 14DG	
6CR	" KRP 14DG	
7CR	" KRP 14DG	
8CR	CH 9575H 2573	
9CR	P&B KRP 14DG	
10CR	" KRP 14DG	
11CR	JML 1160-81	
11-1CR	KRP 14DG	
F/S	STRATHERS DUNN 275 KXX74-12VDC	
SIG-CR	P&B JML 1160-81	
RED PL.	DIALCO 813-1030-1431-506, #330L	
GREEN PL.	" 813-1030-1432-506, #330L	
FUSE #1	BUSS HKP HOLDER W/AGC-20A FUSE	
FUSE #2	BUSS HKP HOLDER W/AGC-10A FUSE	
MASTER SWITCH	CH 7402K4	
SS-1	CH 10250T1311-53	
RF	2 OHM	
RS	2 OHM	
FASTER PB	CH 10250T111-53	
SLOWER PB	CH 10250T112-53	
SLOWER PB ENGRM	CH 10250T112-53	
FAST PB	CH 10250T101-53	
E STOP PB	CH 10250T122-51	
F STOP PB	CH 10250T112-51	
PUMP START	CH 10250T101-53	
PUMP STOP	CH 10250T102-51	
PMR	CH 9575H2441-460V	
IT	CH 10337H192E-460V-ON DELAY	
P-SP	CH 9575H2635-12VDC	
P-ST	"	
BR	P&B KRP 14 DG-12VDC	

REVISION  
 DESTROY ALL PREVIOUS DRAWINGS, ISSUED  
 NOV 7 1967  
 DATE \_\_\_\_\_ BY \_\_\_\_\_

PORCUPINE MTN. STATE PARK, MICH.  
 TWO PUMP UNIT

DATE	REVISION	BY

**MINER-DENVER, INC.**  
 34TH AND WALNUT  
 DENVER, COLORADO 80205

SUBJECT: MINER-DENVER CHAIRLIFT

DESCRIPTION: BOTTOM HYDRAULIC DRIVE CONTROL ELEMENT DIAGRAM

REFERENCE: DIS-263

DATE: 11/7/67

SCALE: 1/2" = 1'-0"

CODE: D18263