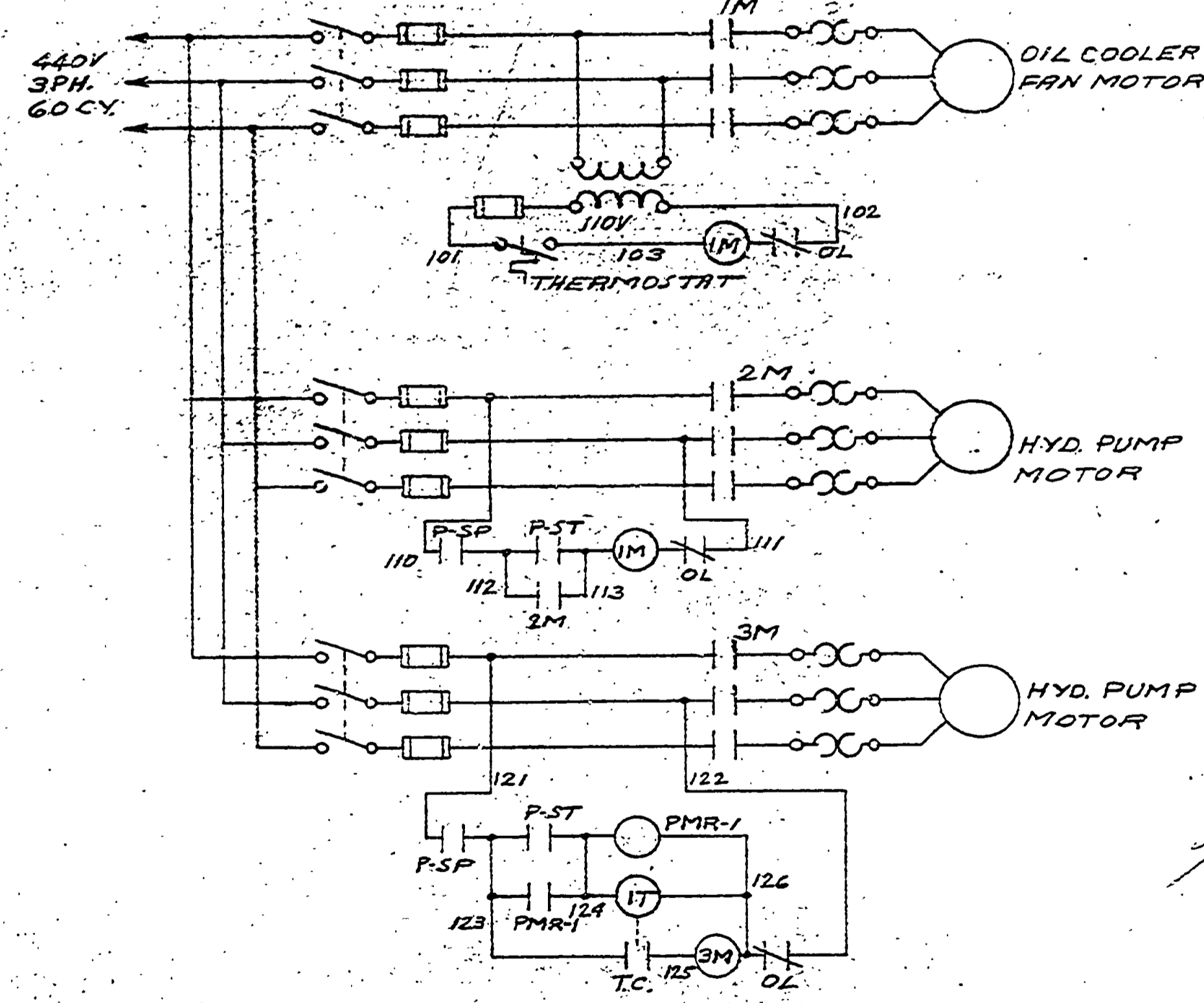
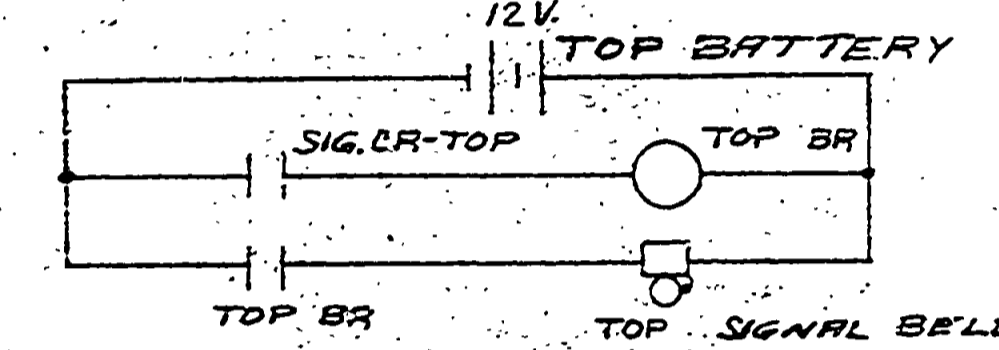
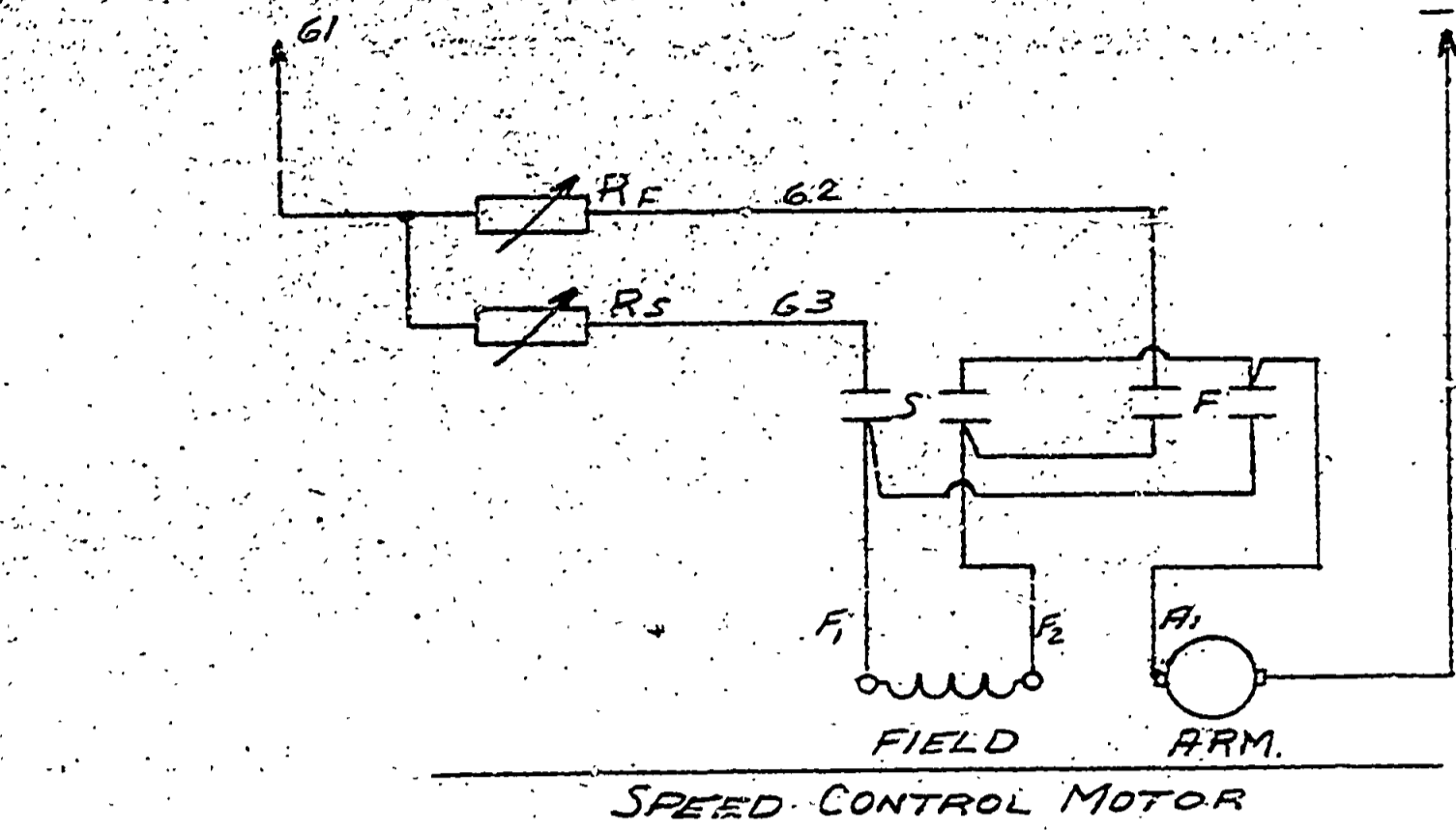
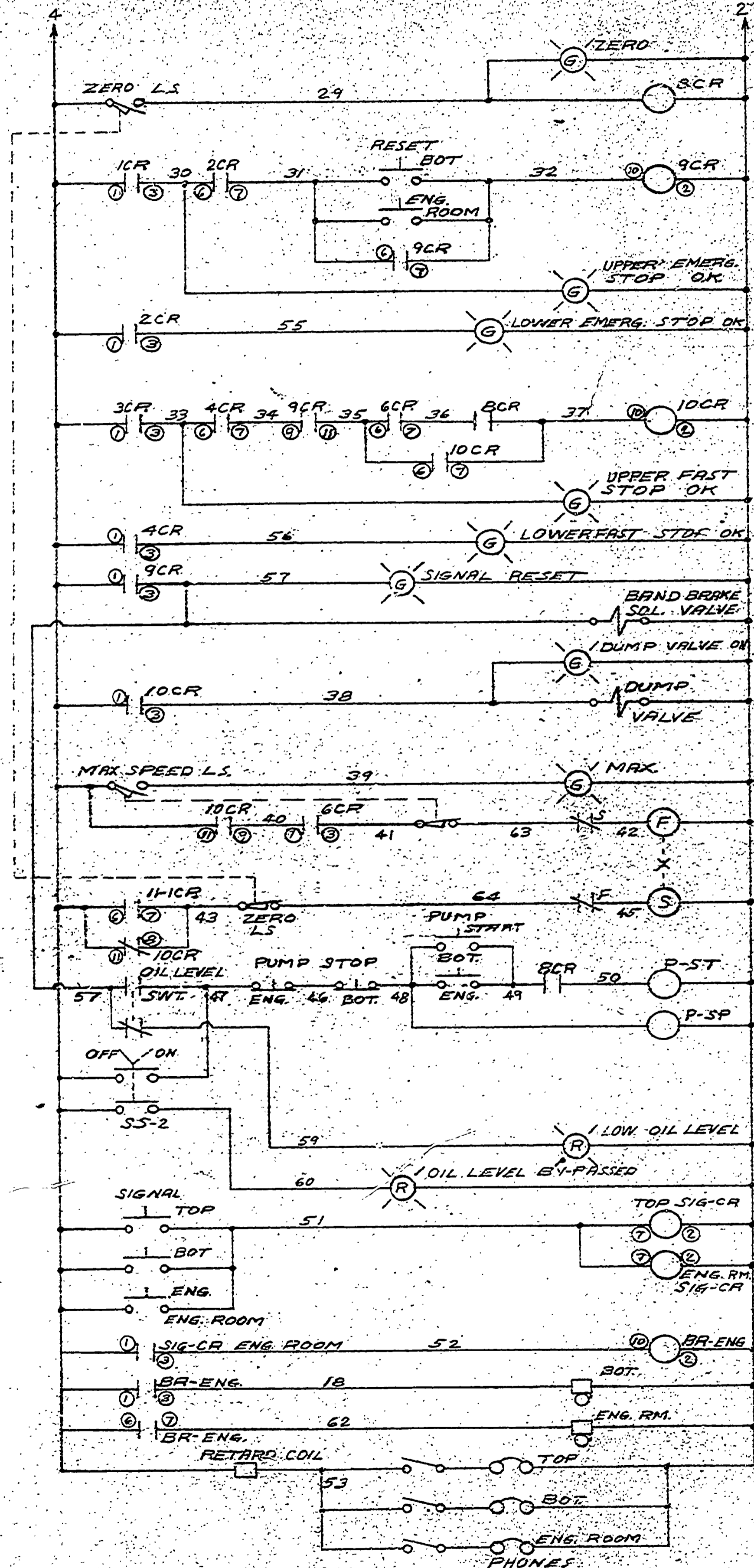


C.W.O.T.: COUNTER WEIGHT OVERTRAVEL
 O.S.L.S.: OVER-SPEED LIMIT SWITCH
 B.T.L.S.: BACK-TRAVEL LIMIT SWITCH



ITEM NO.	REV'D	DESCRIPTION
1CR		P&B JML 1160-81
2CR		KRP 14DG 12VDC
3CR		JML 1160-81
4CR		KRP 14DG
5CR		JML 1160-81
6CR		KRP 14DG
7CR		KRP 14DG
8CR		CH 9575H 2573
9CR		P&B KRP 14DG
10CR		KRP 14DG
11CR		JML 1160-81
11CR		KRP 14DG
F1S		STRATHERS DUNN 275 KXX 74-12VDC
SIG. CR		P&B JML 1160-81
RED PL		DIALCO 813-1030-1431-506 #330L
GREEN PL		813-1030-1432-506 #330L
FUSE #1		BUSS HKP HOLDER W/AGC-20A FUSE
FUSE #2		BUSS HKP HOLDER W/AGC-10A FUSE
MASTER SWITCH		CH 7402K4
SS-1		CH 102.50T1311-53
RF		2 OHM
R5		2 OHM
FASTER PB		CH 102.50T111-53
SLOWER PB		CH 102.50T112-53
SLOWER PB/ENG. RM.		CH 102.50T112-53
RESET PB		CH 102.50T101-53
E STOP PB		CH 102.50T122-51
F STOP PB		CH 102.50T112-51
PUMP START		CH 102.50T101-53
PUMP STOP		CH 102.50T102-51
PMR		CH 9575H2441-460V
1T		CH 10337H192E-460V-ON DELAY
P-SP		CLARK 504-12VDC
P-ST		"
BR		P&B KRP 14DG-12VDC

VOID (This Sheet)
 Print Available or Micro-Film
 But 10-25-69

PORCUPINE MTN. STATE PARK, MICH.
 TWO PUMP UNIT

DATE	REVISION	BY
MINER-DENVER, INC. 34TH AND WALNUT DENVER, COLORADO 80205		
SUBJECT	DRAWN BY	CHECKED BY
MINER-DENVER CHAIRLIFT PORCUPINE MTS. STATE PARK	DATE	SCALE
DESCRIPTION	DRAWING NO.	
BOTTOM HYDRAULIC DRIVE CONTROL ELEMENT DIAGRAM	D18262	

DRAWINGS AND SPECIFICATIONS AS INSTRUMENTS OF SERVICE ARE THE PROPERTY OF MINER-DENVER, INC., DENVER, COLORADO (USA) AND ARE AUTHORIZED TO BE USED ONLY FOR THE PROJECT FOR WHICH THEY ARE FURNISHED, AND ARE TO BE RETURNED TO MINER-DENVER, INC. OR THEIR APPOINTED AGENT ON DEMAND.