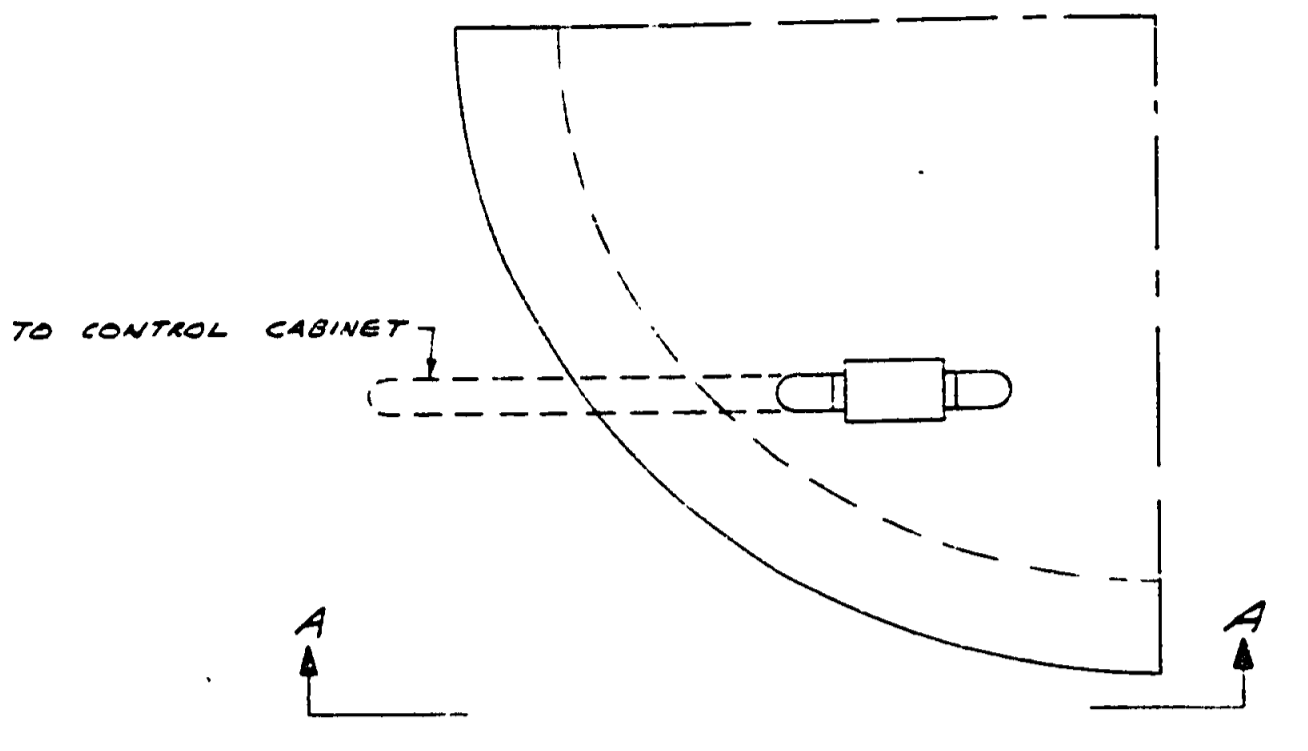
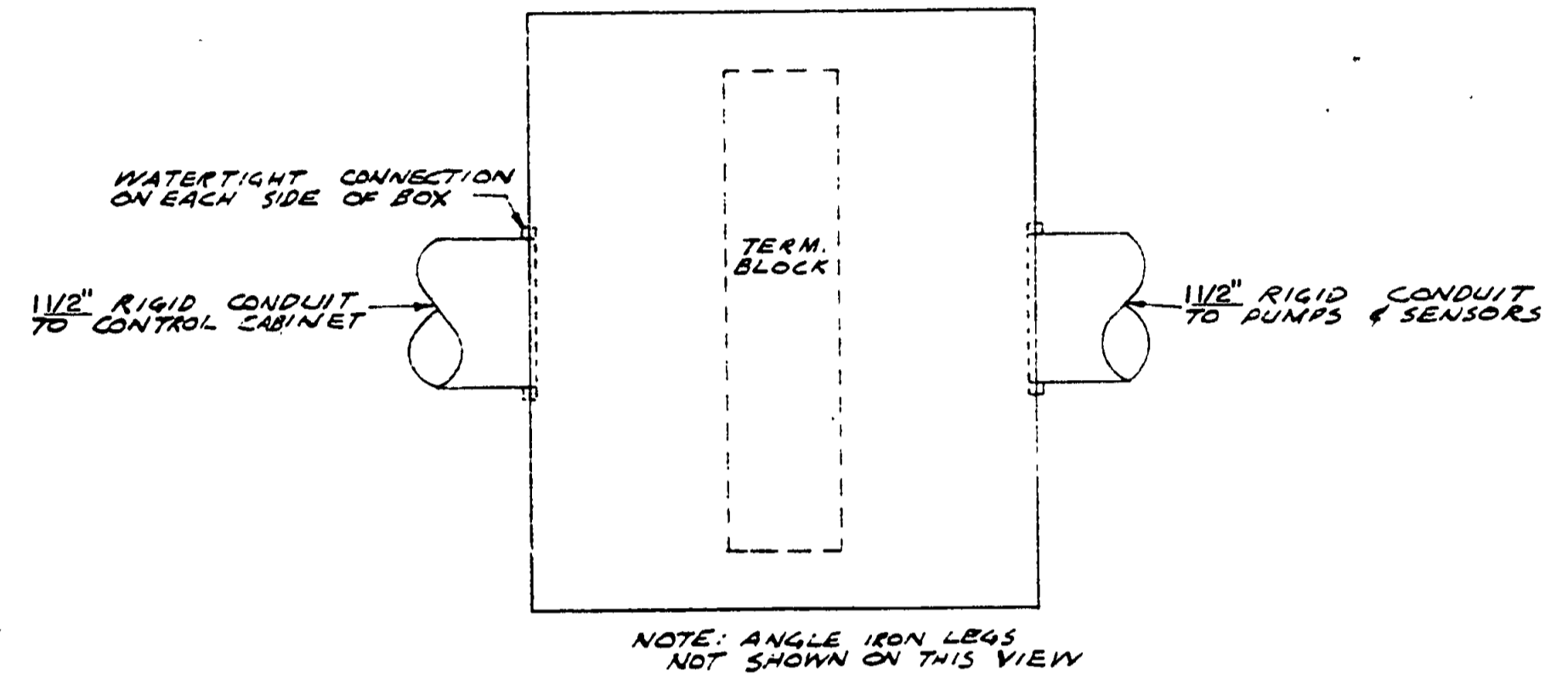


TOP PLAN

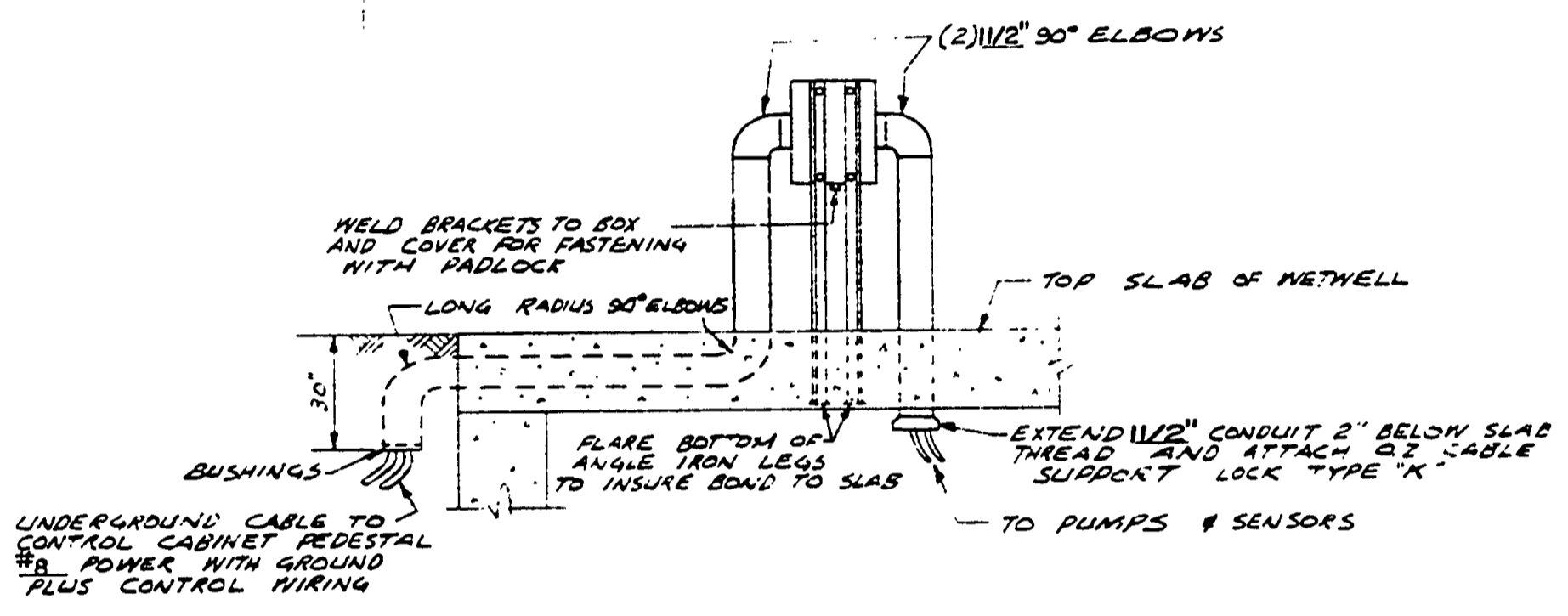


MOTOR TERMINAL HOUSING

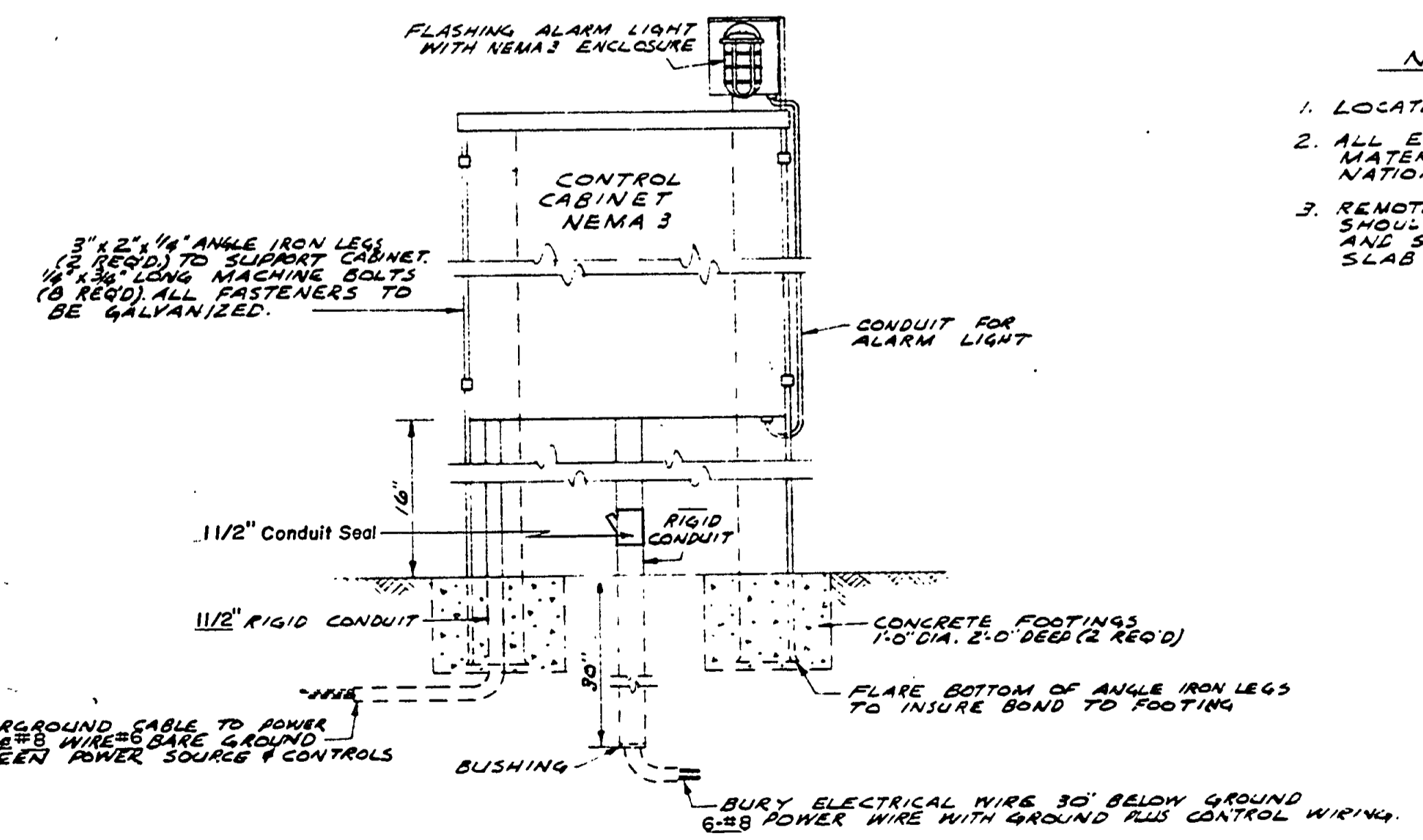


NOTE: ANGLE IRON LEGS NOT SHOWN ON THIS VIEW

REMOTE MOTOR TERMINAL HOUSING BOX



SECTION A-A



CONTROL CABINET PEDESTAL INSTALLATION DETAILS

NOTE: ALL BOXES AND EQUIPMENT GROUNDED TO MEET ELECTRICAL CODE

NOTES

1. LOCATE PANEL BOX 15' FROM WETWELL
2. ALL ELECTRICAL CONNECTIONS AND MATERIAL TO CONFORM TO THE NATIONAL ELECTRICAL CODE.
3. REMOTE MOTOR TERMINAL HOUSING SHOULD BE COMPLETELY ASSEMBLED AND SET IN FORM BEFORE TOP OF SLAB IS POURED.

SURVEYED BY		DRAWN BY <b>B. BOYCE</b>		4-74		NO. DATE BY		REVISIONS		MICHIGAN DEPARTMENT OF NATURAL RESOURCES		220 VOLT - 3 PHASE PUMP CONTROL SHEET TITLE		AREA OR PARK PORCUPINE MOUNTAINS STATE PARK		PROJECT NO. 24-1676	
DESIGNED BY <b>A. QURAISHI</b>		CHECKED BY		4-74		NO. DATE BY		REVISIONS		DEPARTMENT OF NATURAL RESOURCES		220 VOLT - 3 PHASE PUMP CONTROL SHEET TITLE		PROJECT SEWER SYSTEM REVISIONS		SHEET 5 OF 6 PLAN NO. E-133	
DATE		DATE		DATE		DATE		DATE		DATE		DATE		DATE		DATE	