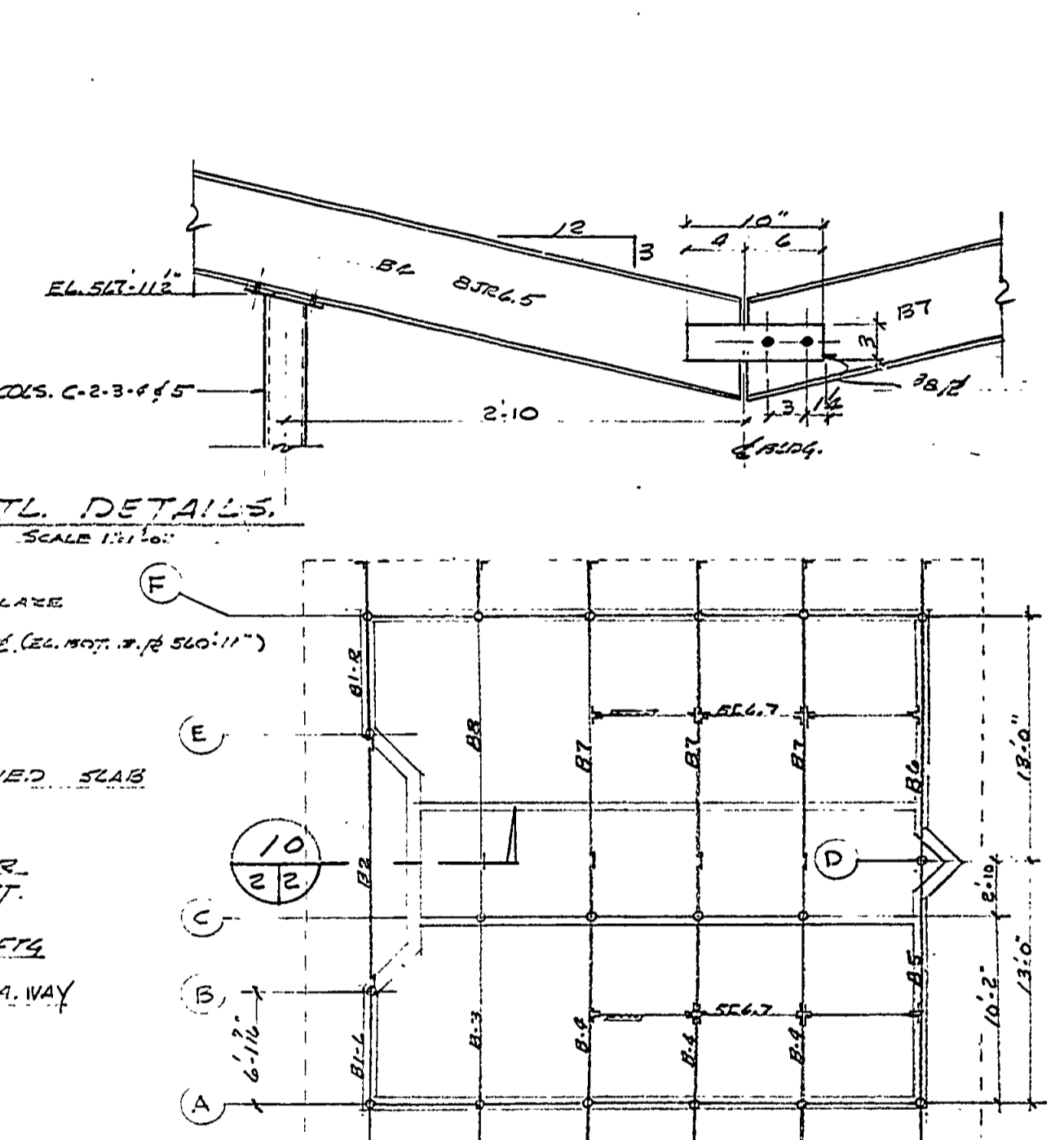
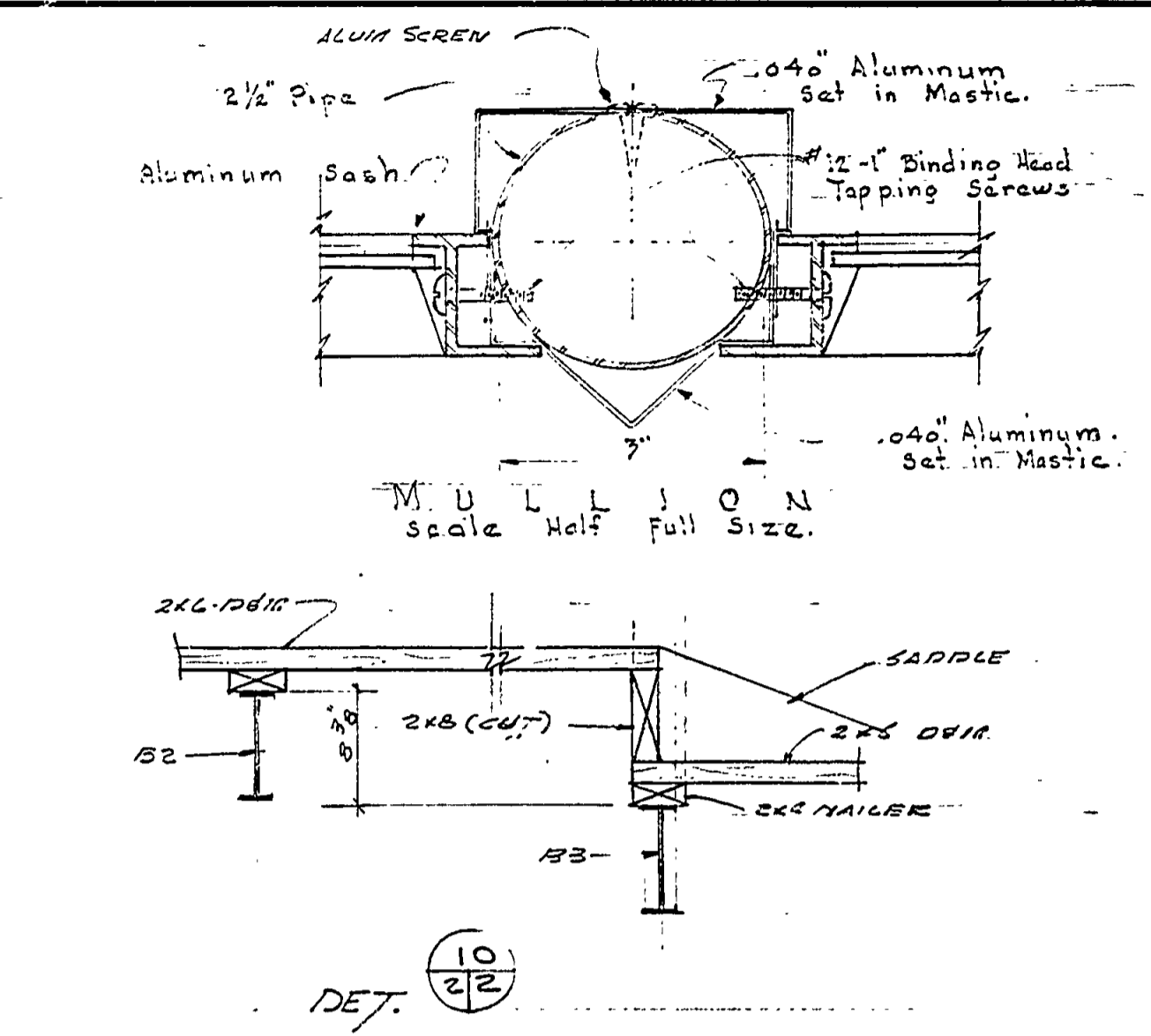
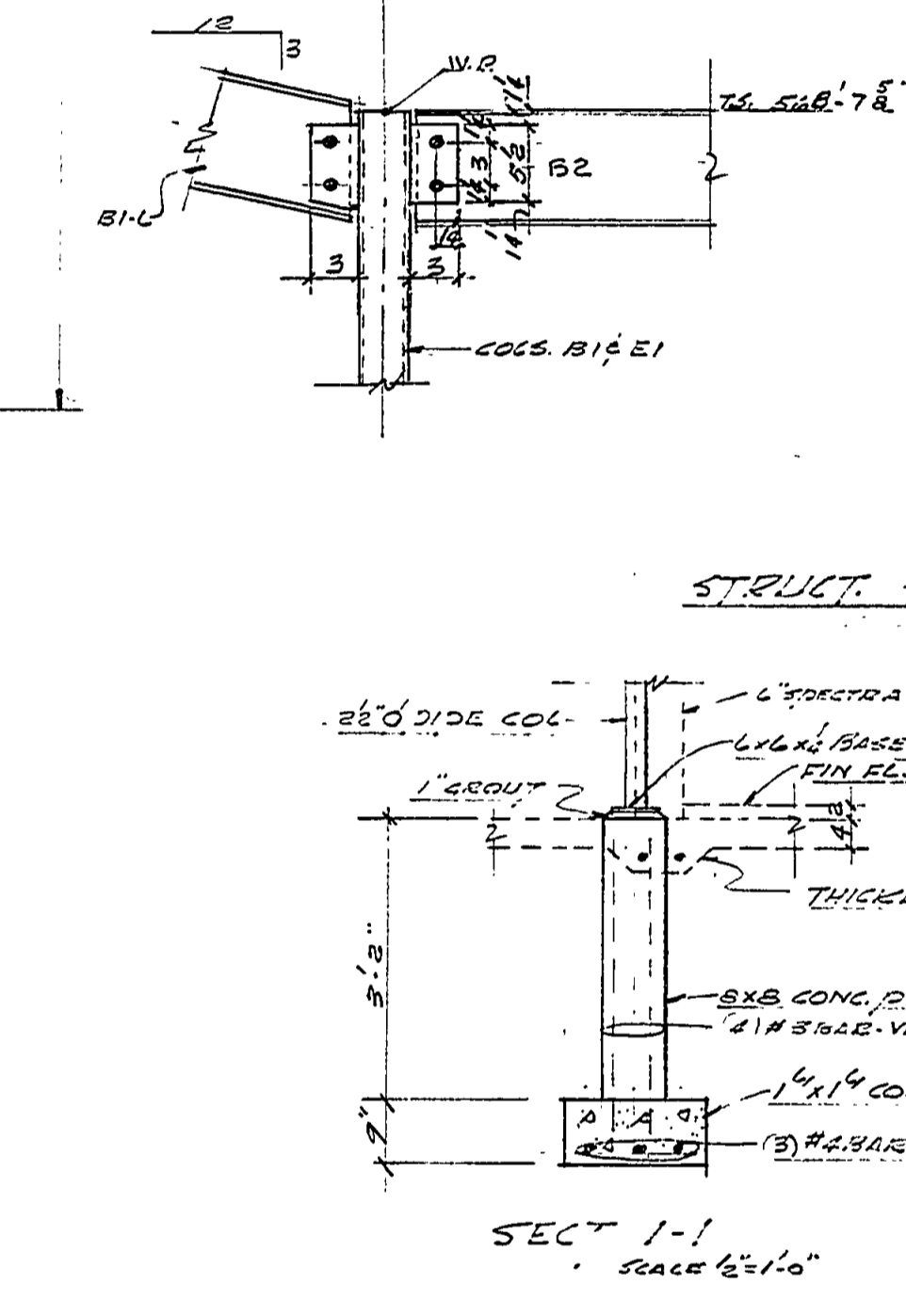
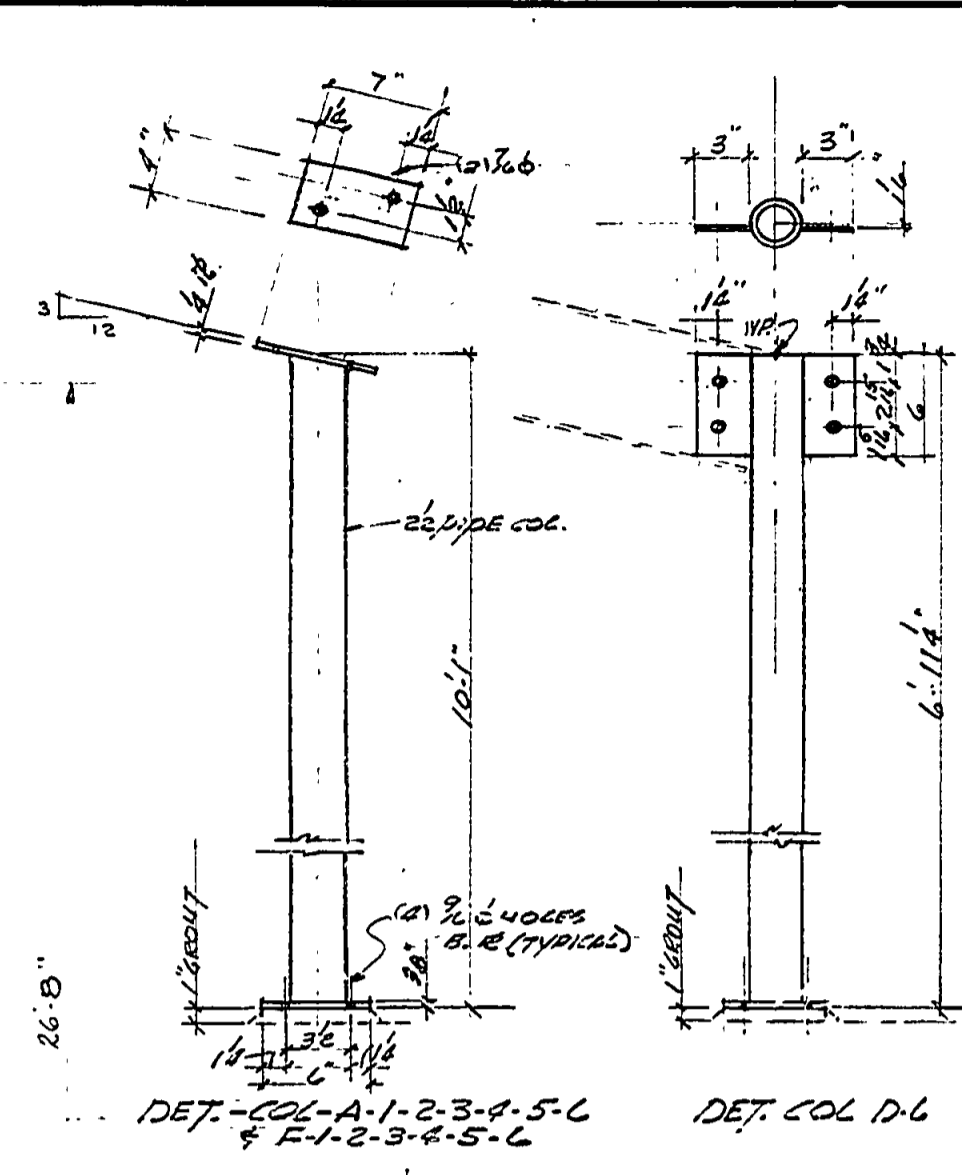
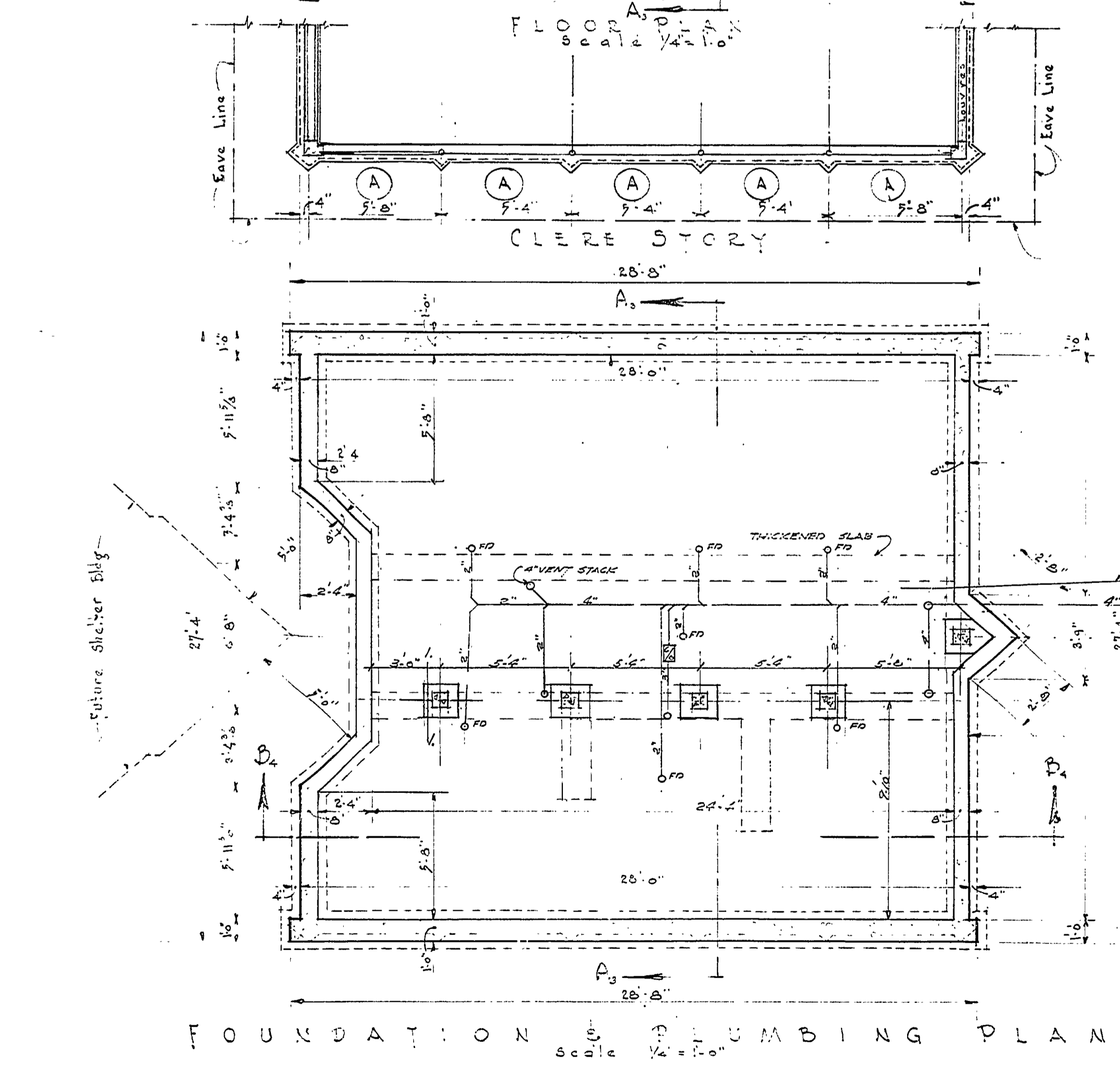
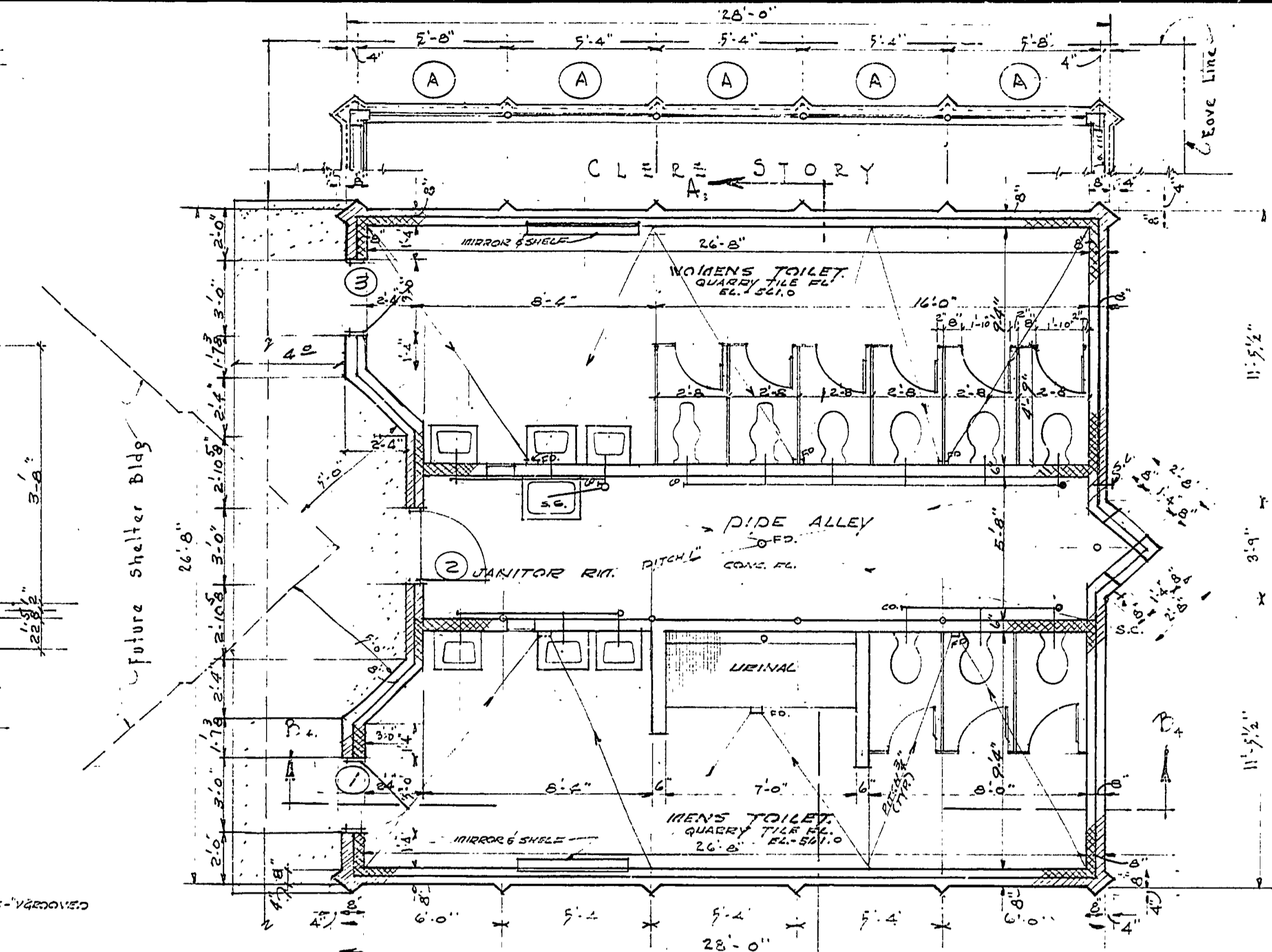
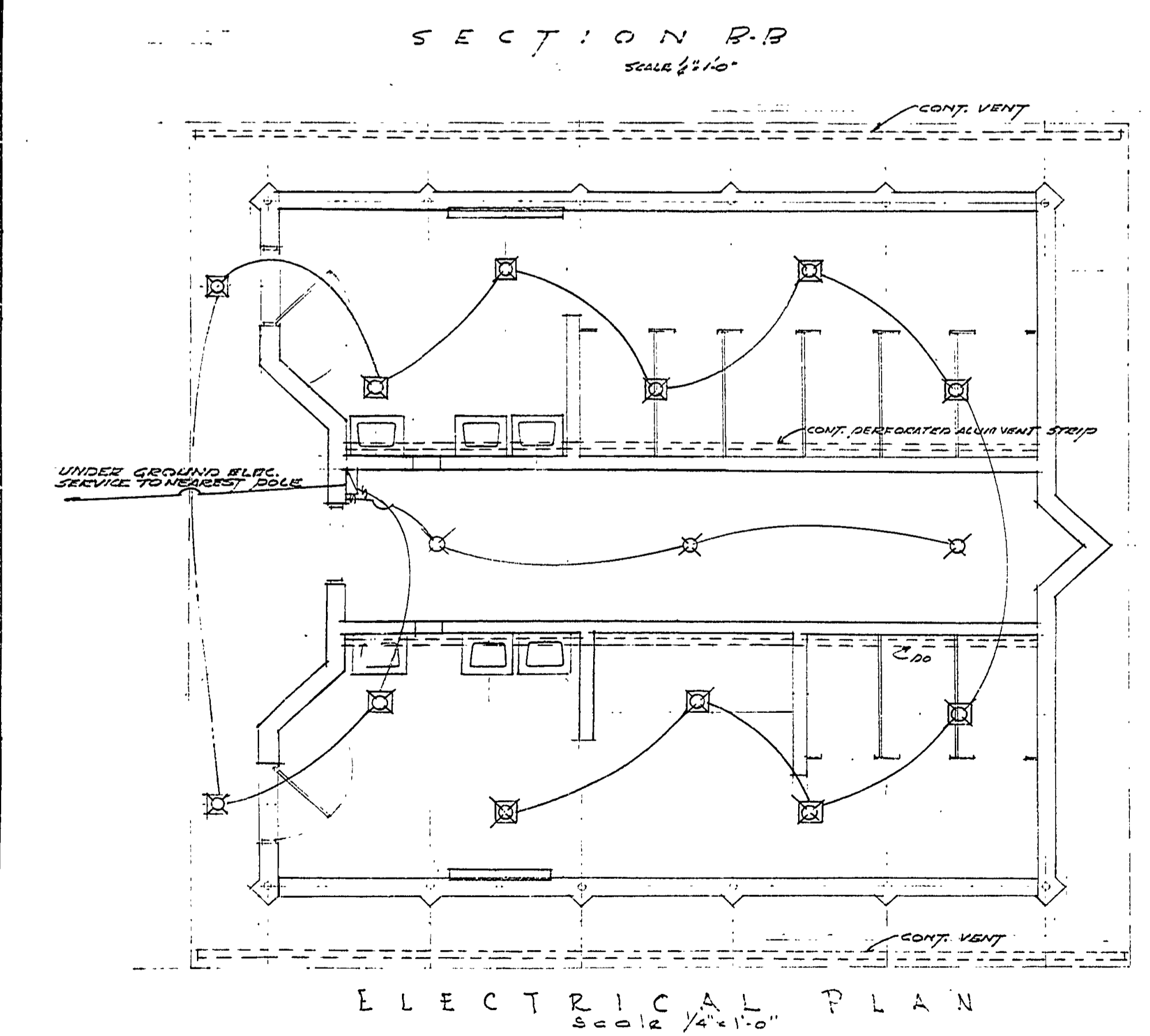
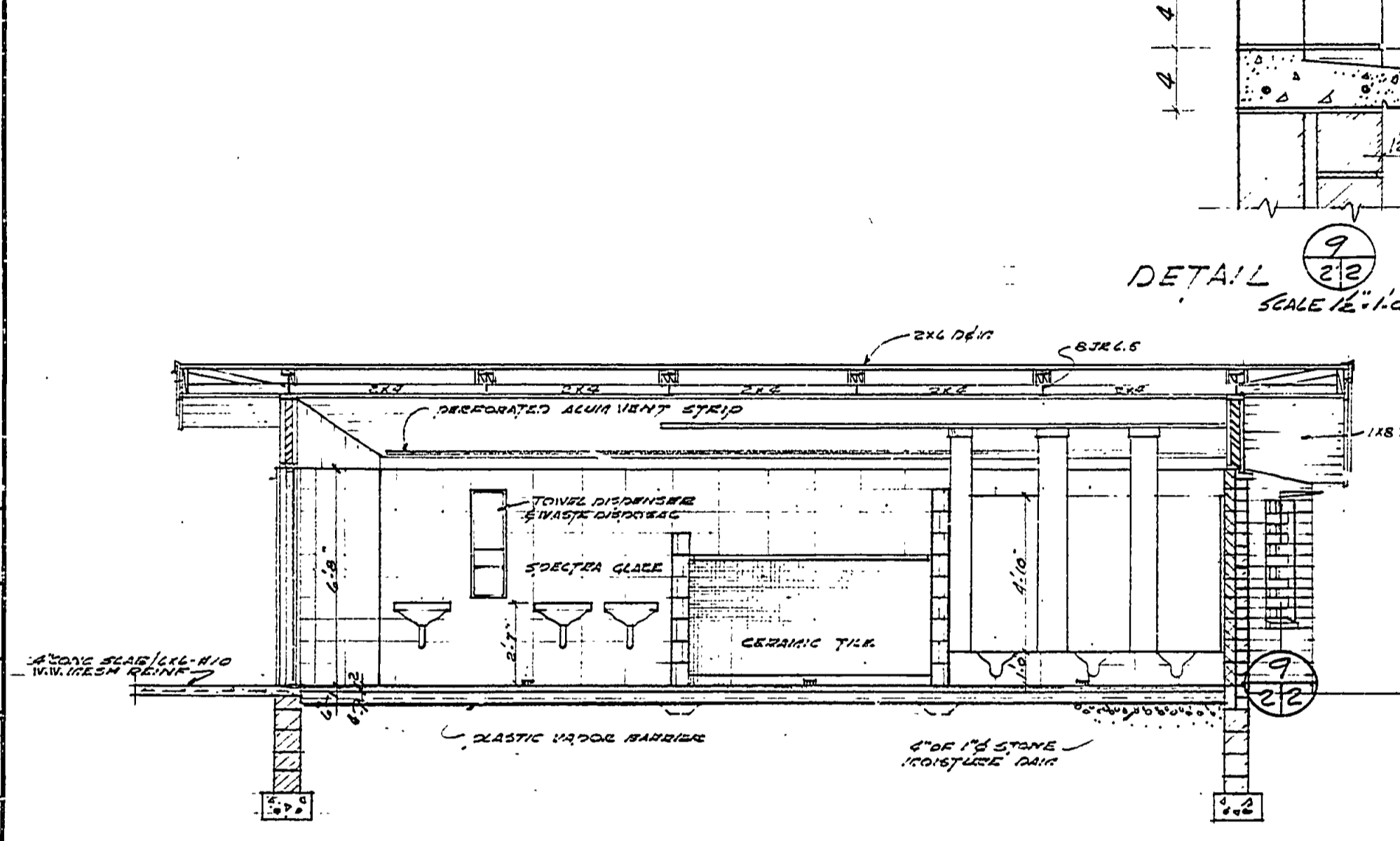
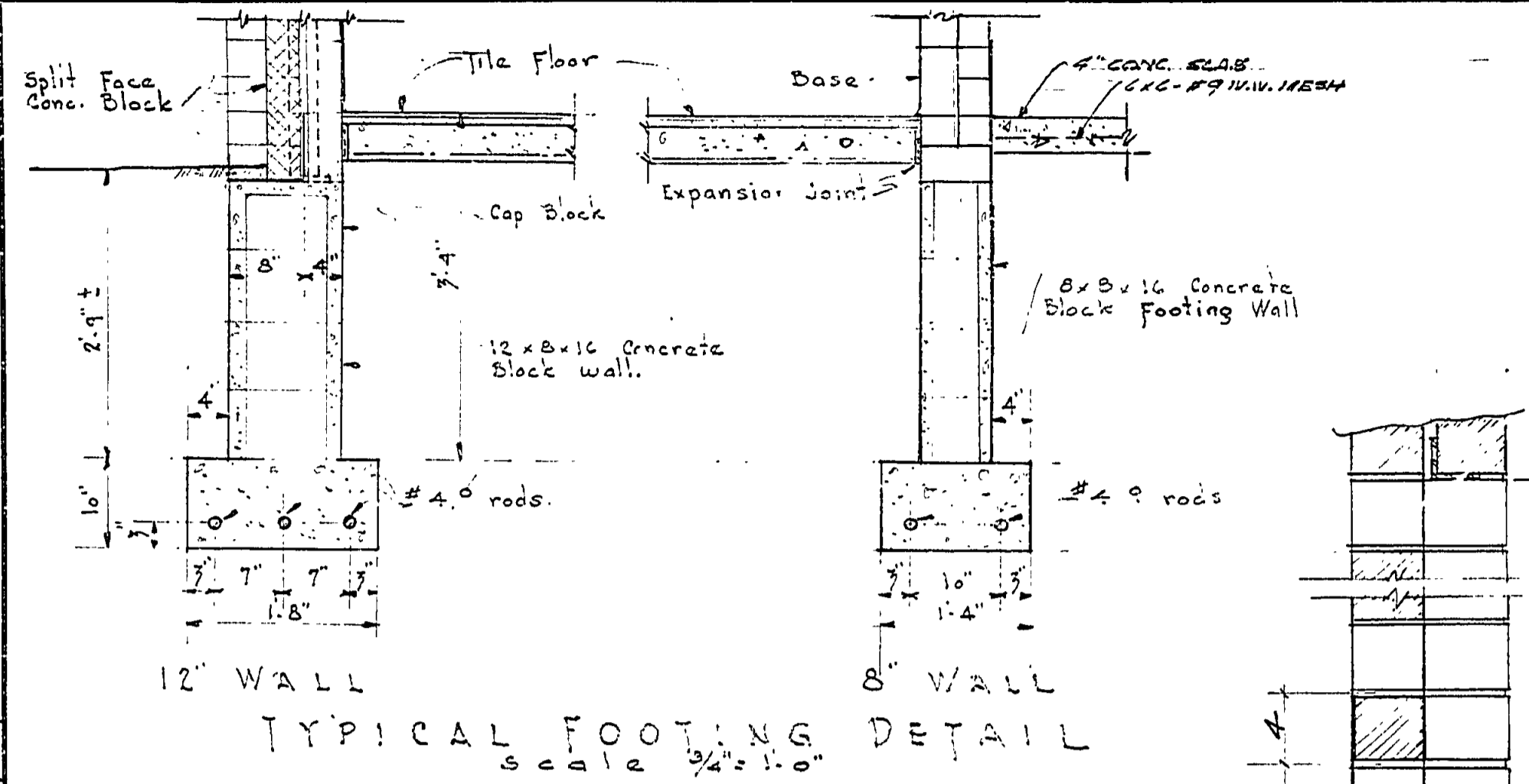


W. K. ELLIOTT CO. 70112 500 3-24

DESIGN BY	W.M. Gardner	REVIEWED BY SECTIONS	DATE	APPROVED BY	NO.	DATE	BY	REVISIONS	DATE	BY
DRAWN BY	J.M.F. Traced by J.M.F.	ARCHITECTURAL	5-15-58	H.L. Gardner	1	5/15/58	J.M.F.	CODE PLAN REVISED		
CHECKED BY	W.S.G.	ENGINEERING	5-15-58	ASSISTANT CHIEF IN CHARGE	2					
DATE		LANDSCAPE	5-15-58	OF DESIGN	3					
					4					
					5					
					6					



- NOTE - ALL BEAMS - 6x12'S
- ARCHITECTURAL SYMBOLS
- Concrete or Concrete Block
 - Split Face Concrete Block
 - Back up block or spectra-glass block
 - Wood
 - Steel or Aluminum
 - Tile Floor
 - Dimensioned Wood
 - F.D. - Floor Drain
 - S.S. - Service Sink
 - S.C. - Sill Cock
- ELECTRICAL SYMBOLS
- Recessed Light Fixture
 - Florescent Light Fixture
 - Duplex Convenience Outlet
 - Control Box and Switch Panel
 - Ceiling Outlet
 - Bracket Light Outlet
 - Switch
 - N.L. - Night Light

DETAIL DESIGNATION:

SHEET WHERE DETAIL IS TAKEN:

SHEET WHERE DETAIL APPEARS:

MICHIGAN DEPARTMENT OF CONSERVATION PARKS AND RECREATION DIVISION

FOUNDATION, FLOOR AND ELECTRICAL PLANS
 VAN RIPER STATE PARK
 SHELTER AND TOILET BLDG #2
 10'x15' PORTION.

SHEET NO. 2 OF 3
 PLAN NO. A-101