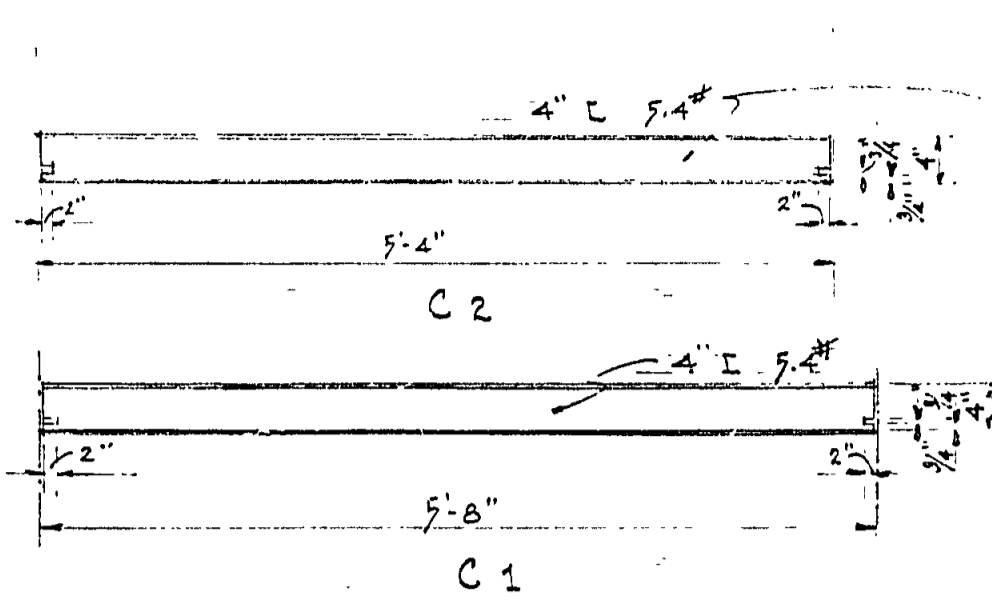
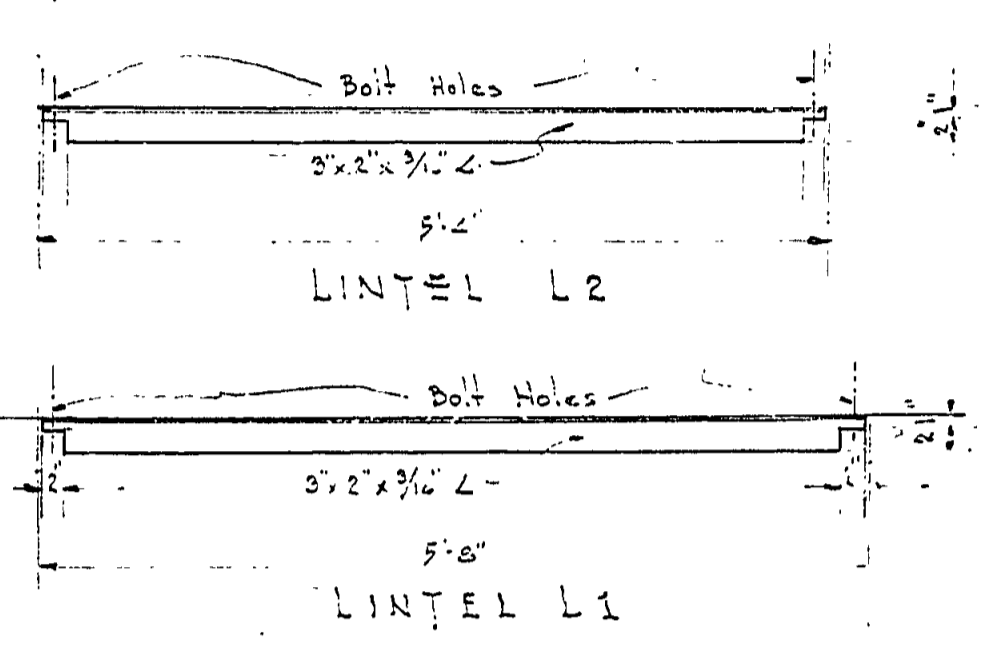


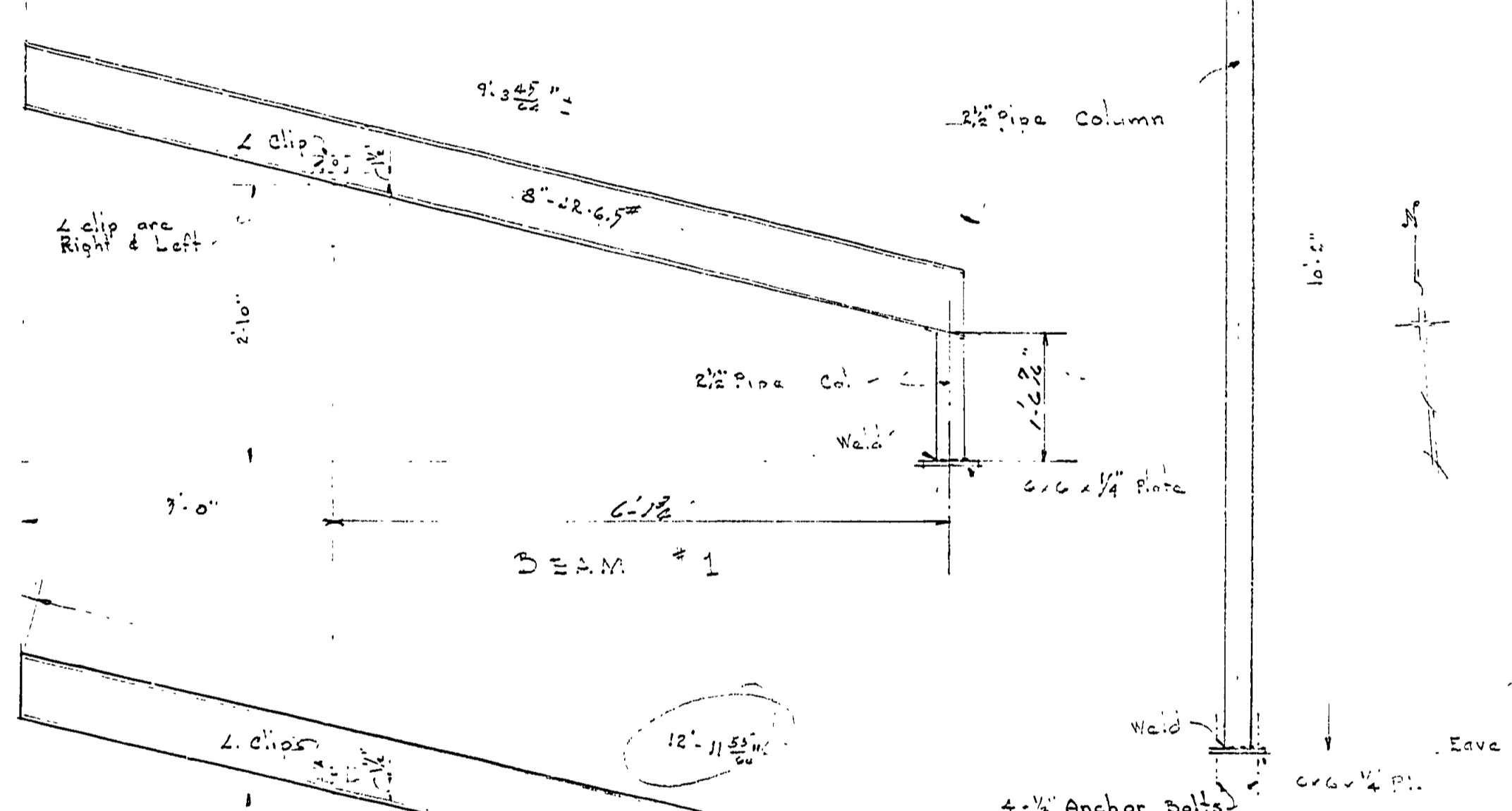
DESIGNED BY W.N. Gardner	TRACED BY J.M. Fish	CHECKED BY M.P.C.	REVIEWED BY SECTIONS			APPROVED BY			NO. DATE			REVISIONS		
			ARCHITECTURAL	ENGINEERING	LANDSCAPE	J.R.	J.R.	J.R.	A.C.	1	2	3	4	5
DATE 4-9-58	DATE 5-15-58	DATE 5-15-58	DATE 5-15-58	DATE 5-15-58	DATE 5-15-58	DATE 5-15-58	DATE 5-15-58	DATE 5-15-58	DATE 5-15-58	DATE 5-15-58	DATE 5-15-58	DATE 5-15-58	DATE 5-15-58	



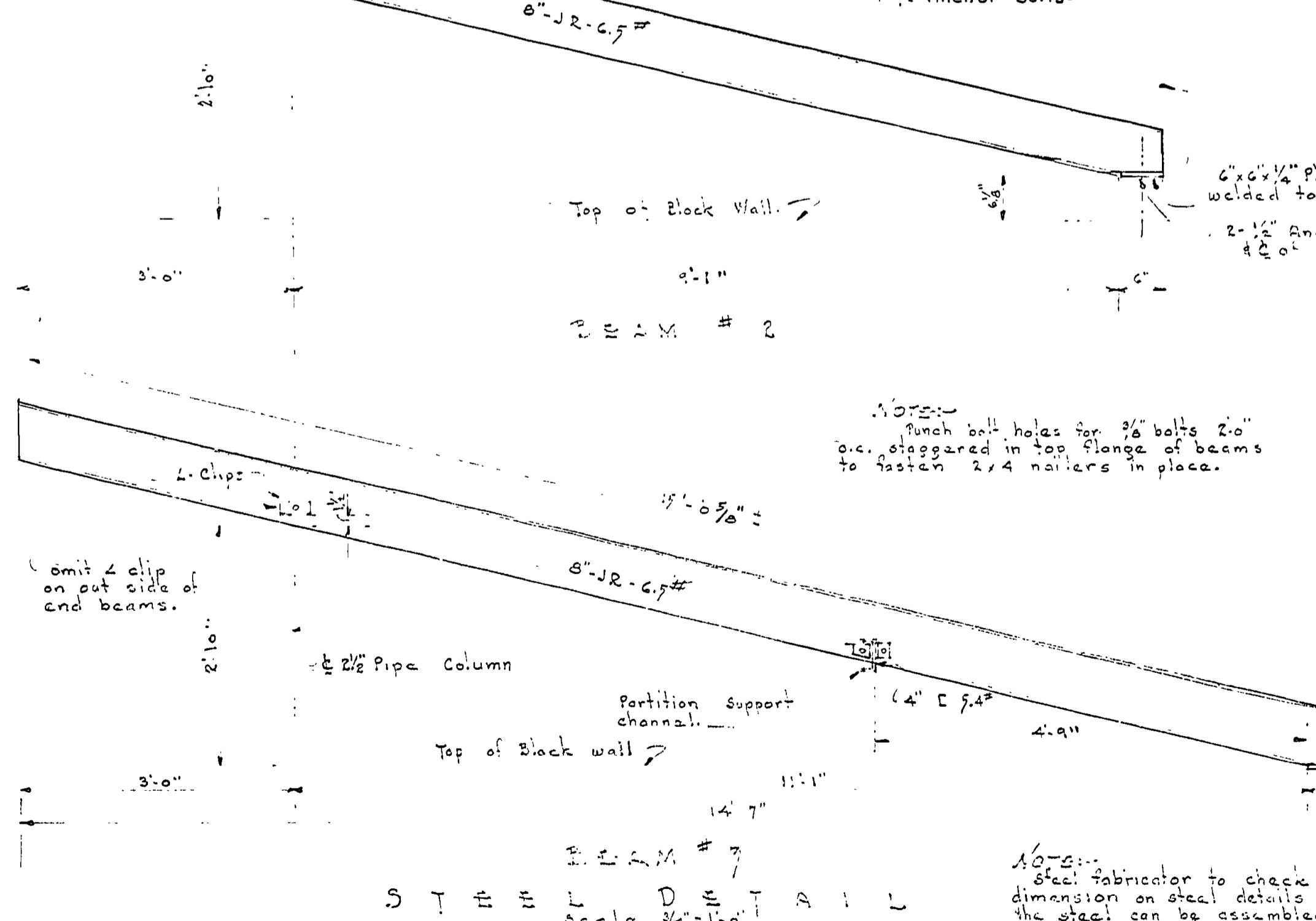
EXTENSION
C1
C2



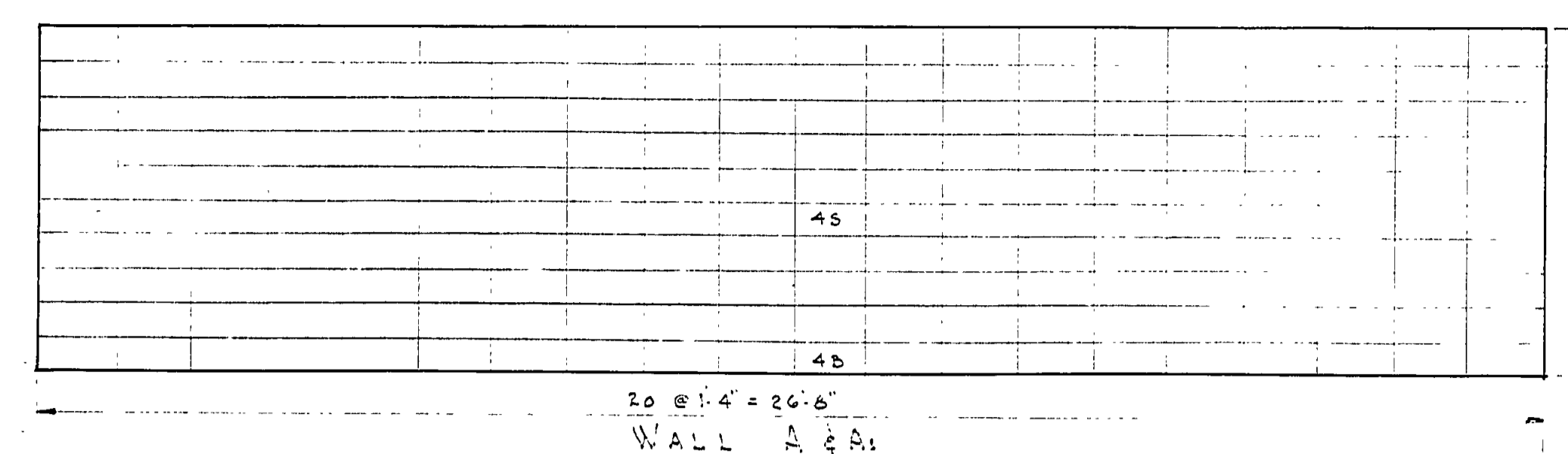
Lintel L1
Lintel L2



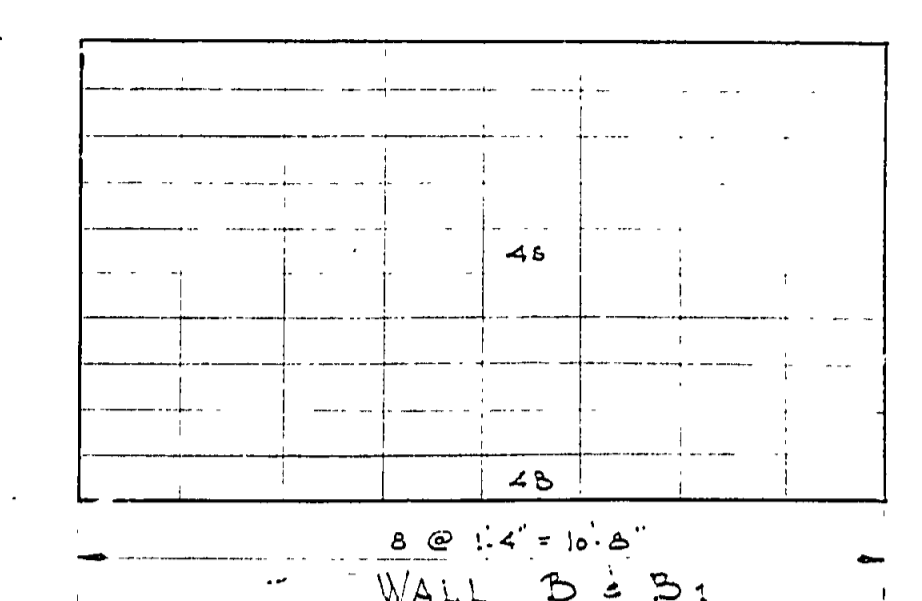
STEEL FRAMING PLAN
Scale 1/8" = 1'-0"



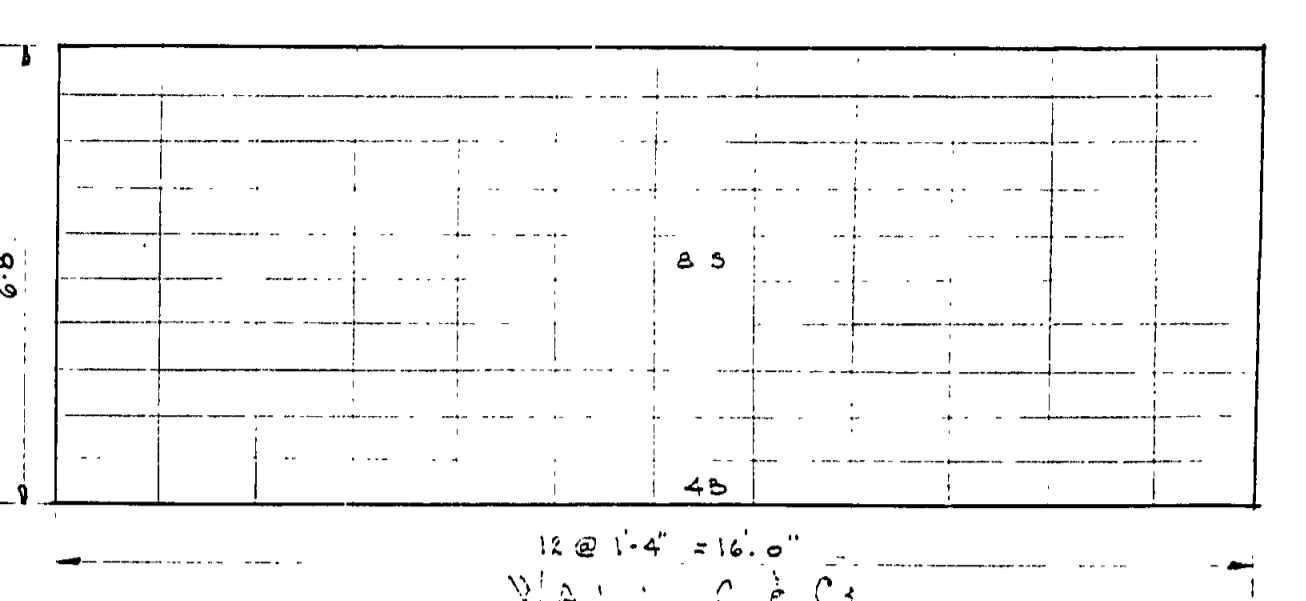
STEEL DETAIL
Scale 1/4" = 1'-0"



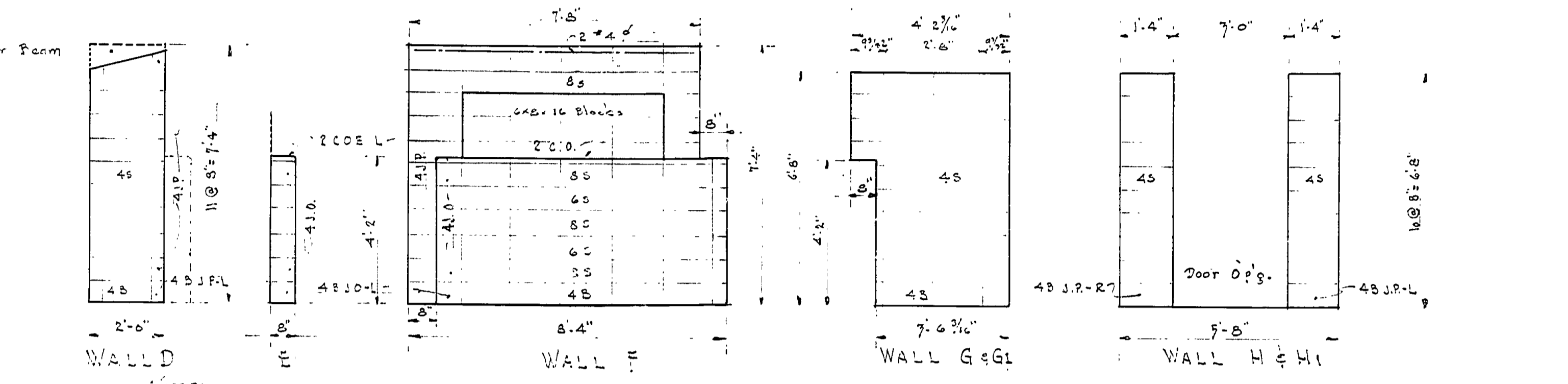
WALL A & A1



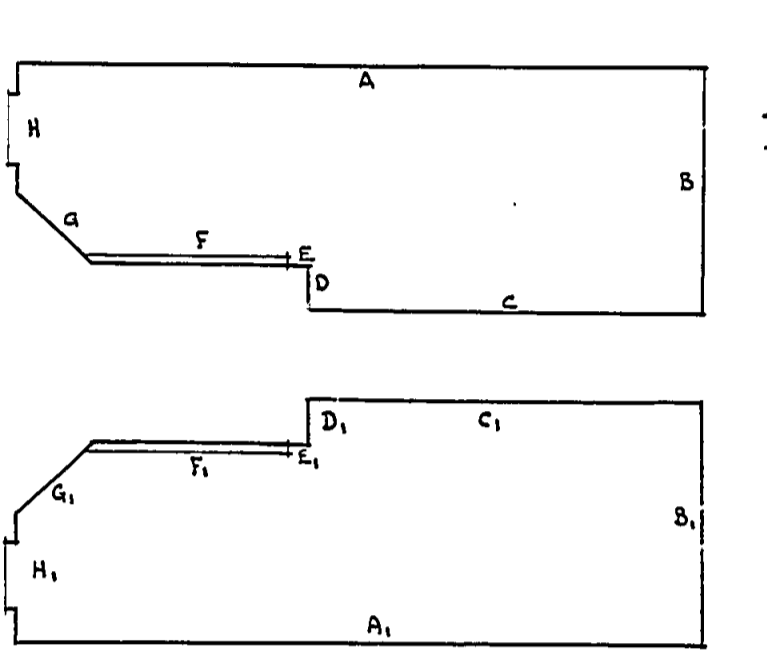
WALL B & B1



WALL C & C1

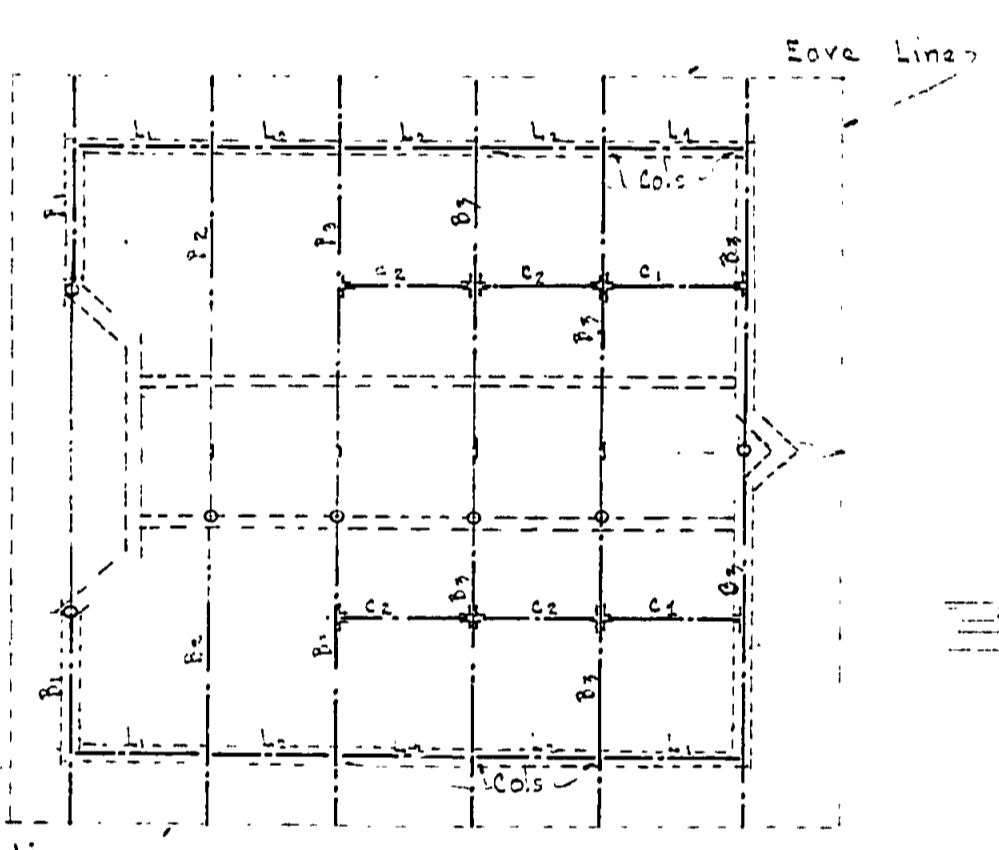


WALL BLOCK LAYOUT
Scale 1/2" = 1'-0"

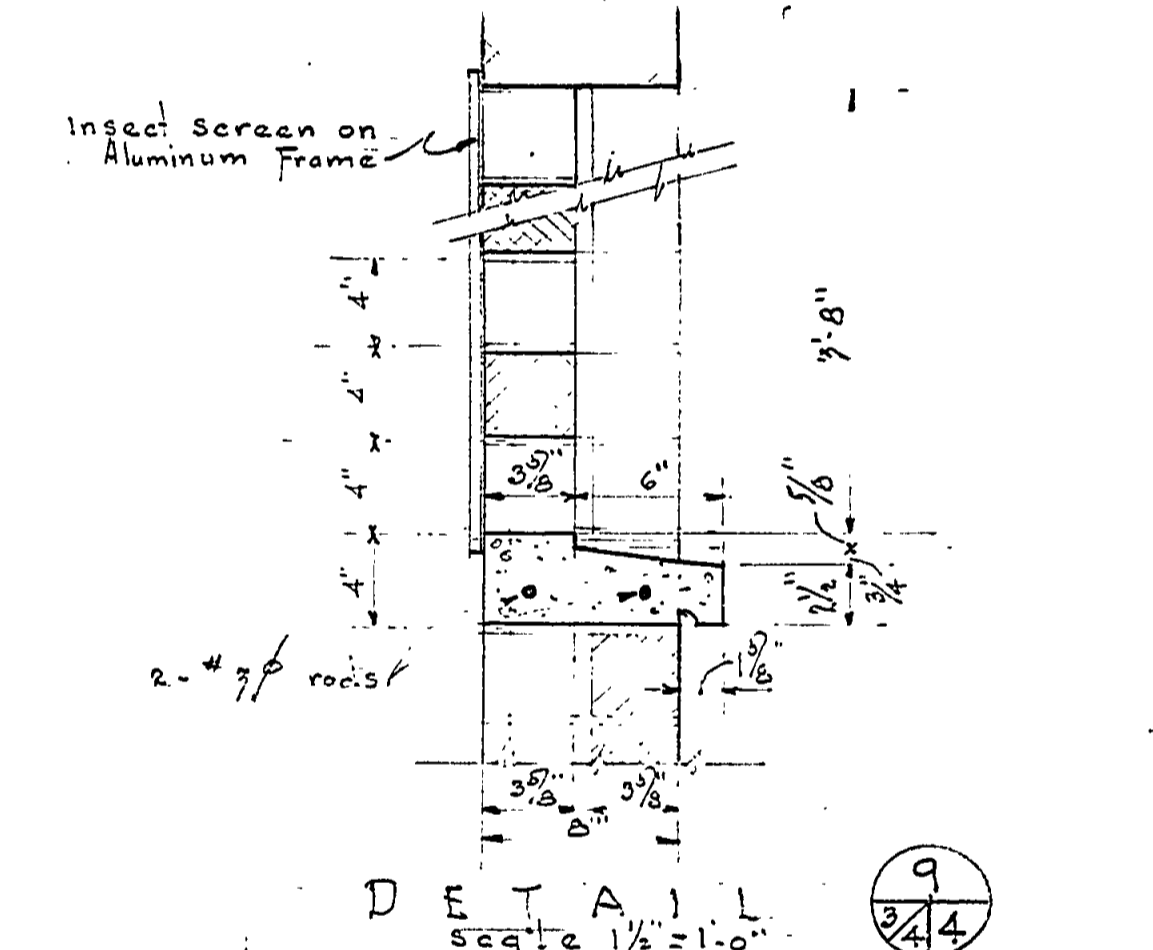


PLAN LAYOUT
Scale 1/2" = 1'-0"

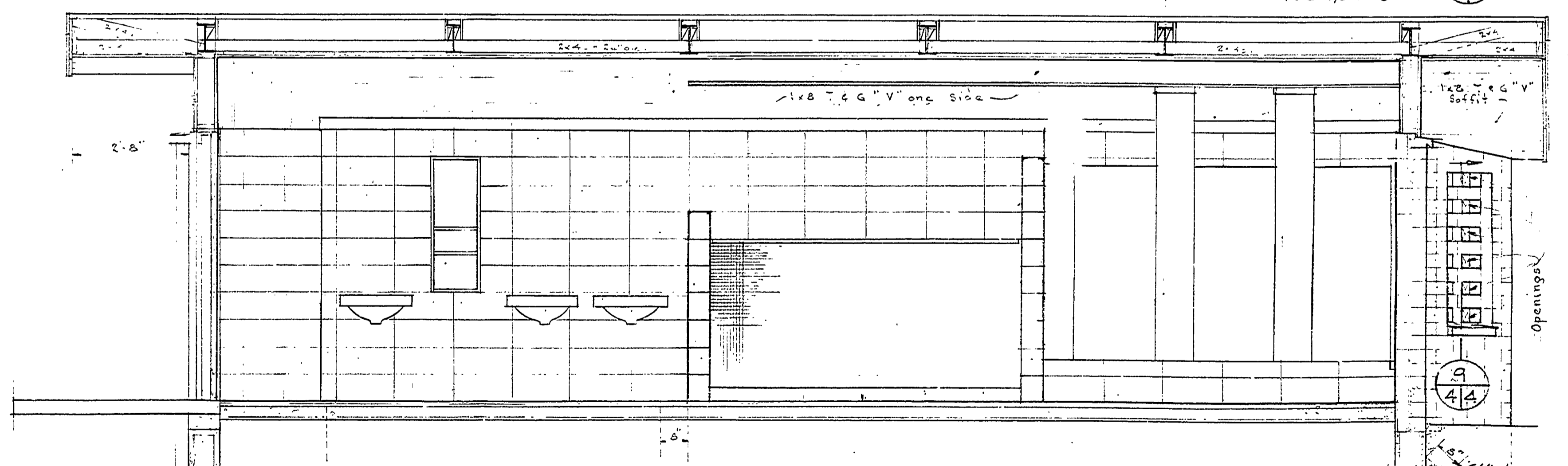
NOTES:
Shaded areas indicated Tile Floor.
Fixtures and rough in openings not shown provide as required.
Alternate to Spectra-Glaze use B & W Series Tile shops are same.



MIRROR JAMB SECTION
HEAD SIMILAR
Scale 1/2" = 1'-0"



DETAIL
Scale 1 1/2" = 1'-0"



SECTION B-B
Scale 1/4" = 1'-0"

THIS SH. OBSOLETE

PLAN OF LOUVERES
Scale 1/4" = 1'-0"