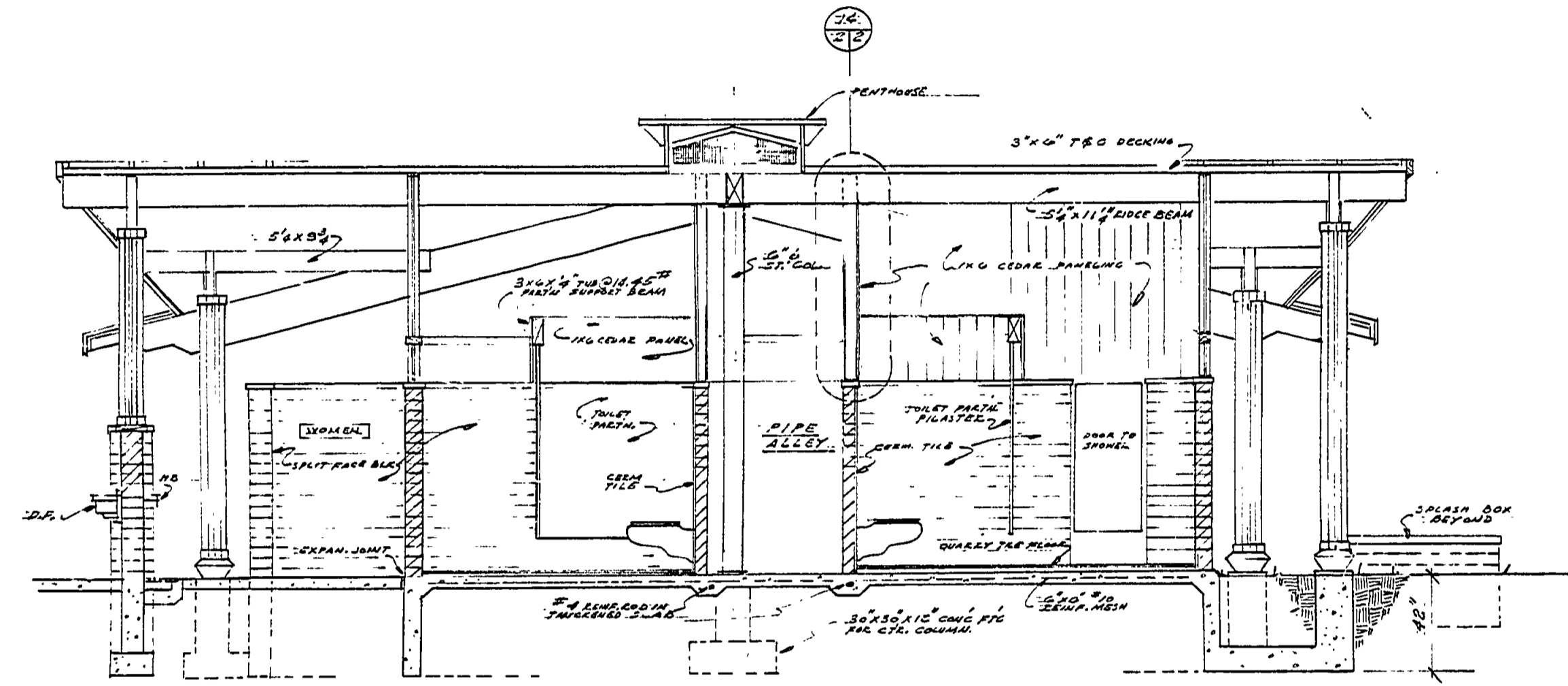
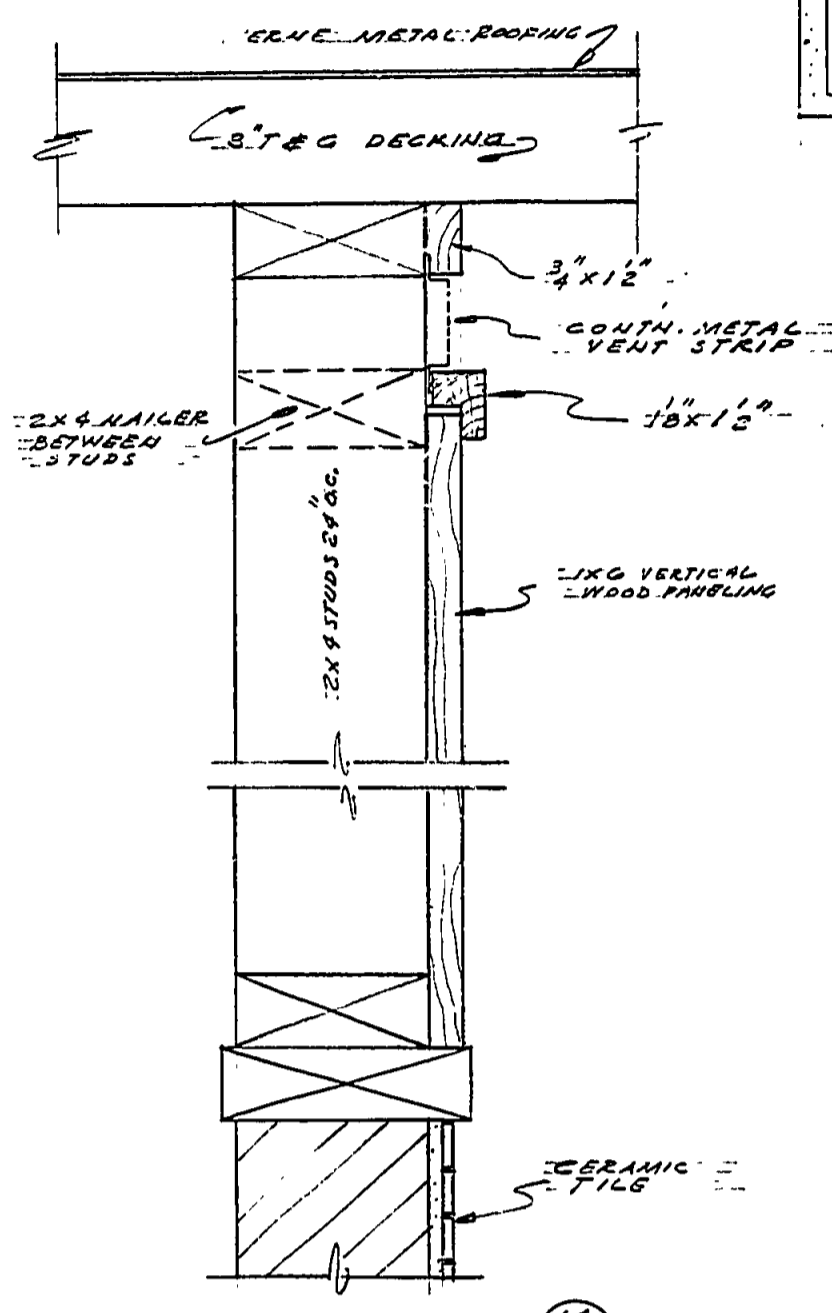


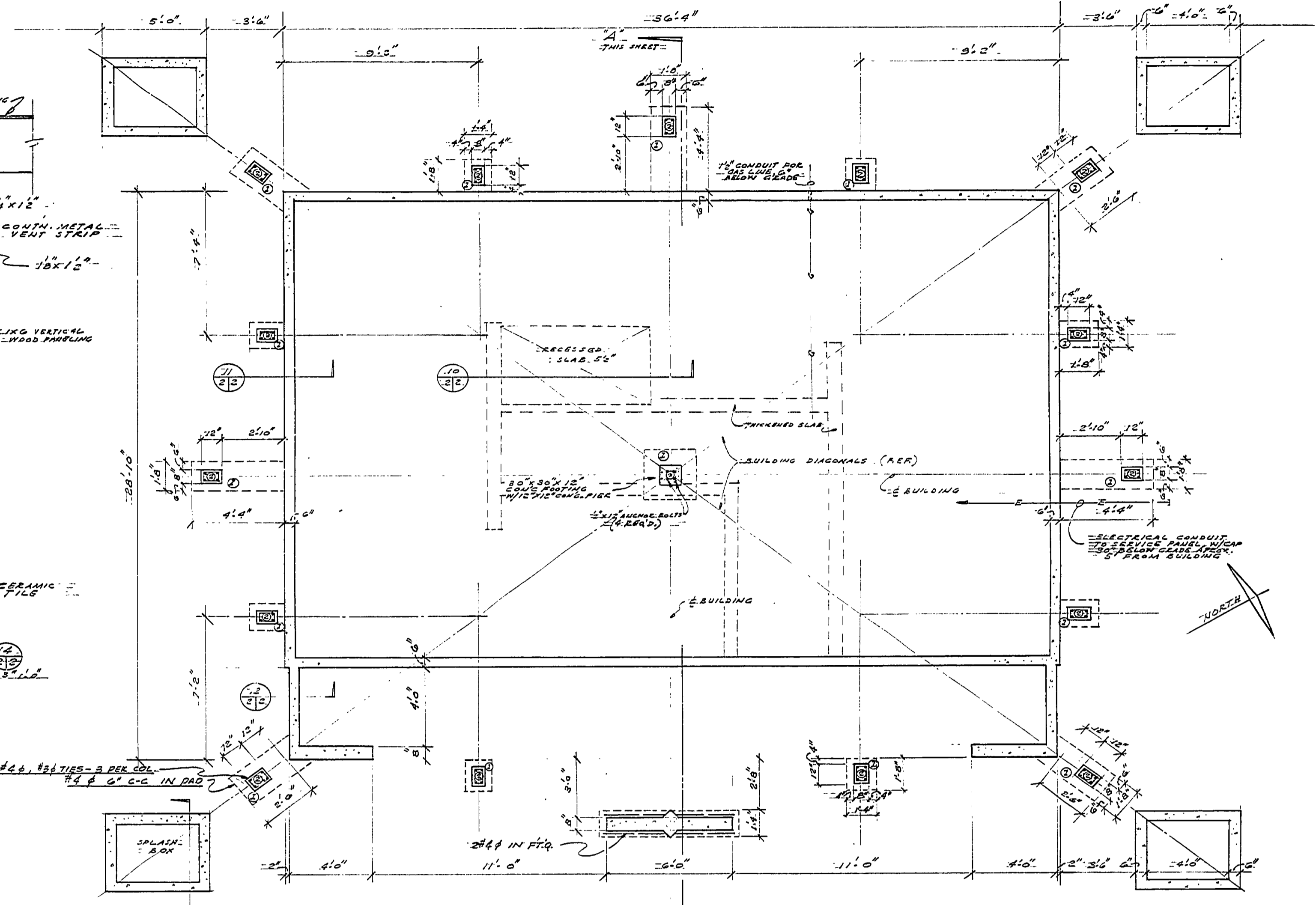
DESIGNED BY	DATE	REVIEWED	DATE	APPROVED	DATE	NO.	DATE	BY	REVISIONS
BY 10/1/61	10-1-61	ARCHITECTURAL	11-13-61		1	1	11/1/61	1	REFERS TO ① THIS SHEET - REIN. STEEL IN CON. PILES (SEE FOUNDATION PLAN)
DRAWN BY 8/1/61	8-1-61	ENGINEERING	11-27-61		2	2	11/1/61	2	REFERS TO ② THIS SHEET - REIN. STEEL IN CON. PILES (SEE FOUNDATION PLAN)
CHECKED BY 10-14-61	10-14-61	LANDSCAPE	11-27-61		3	3	11/1/61	3	SHOW STEEL PLACEMENT IN SECTION ③
					4	4		4	
					5	5		5	
					6	6		6	



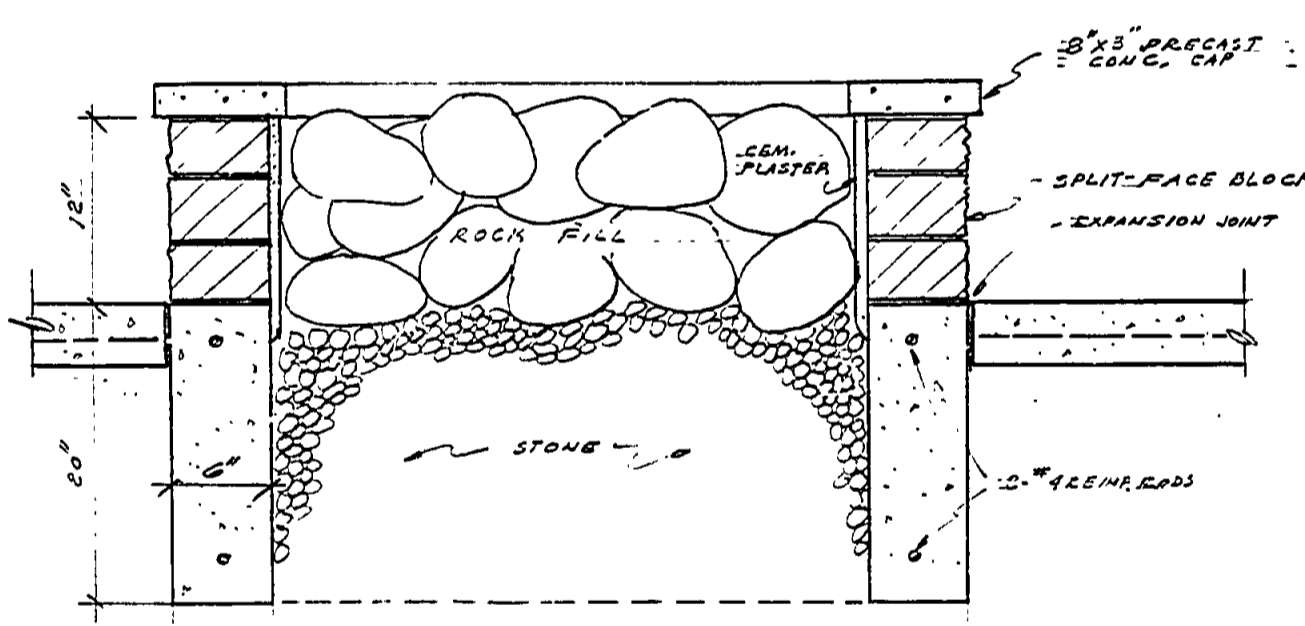
SECTION A-A
SCALE 1/4"=1'-0"



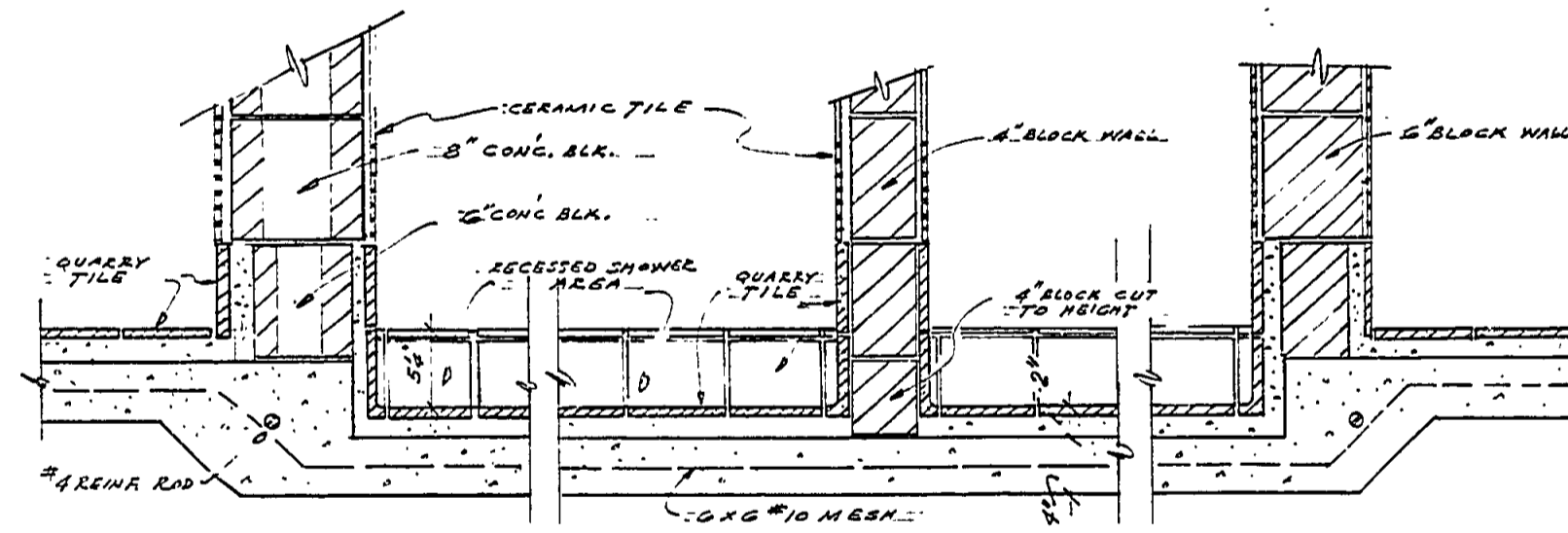
SECTION
SCALE 1/4"=1'-0"



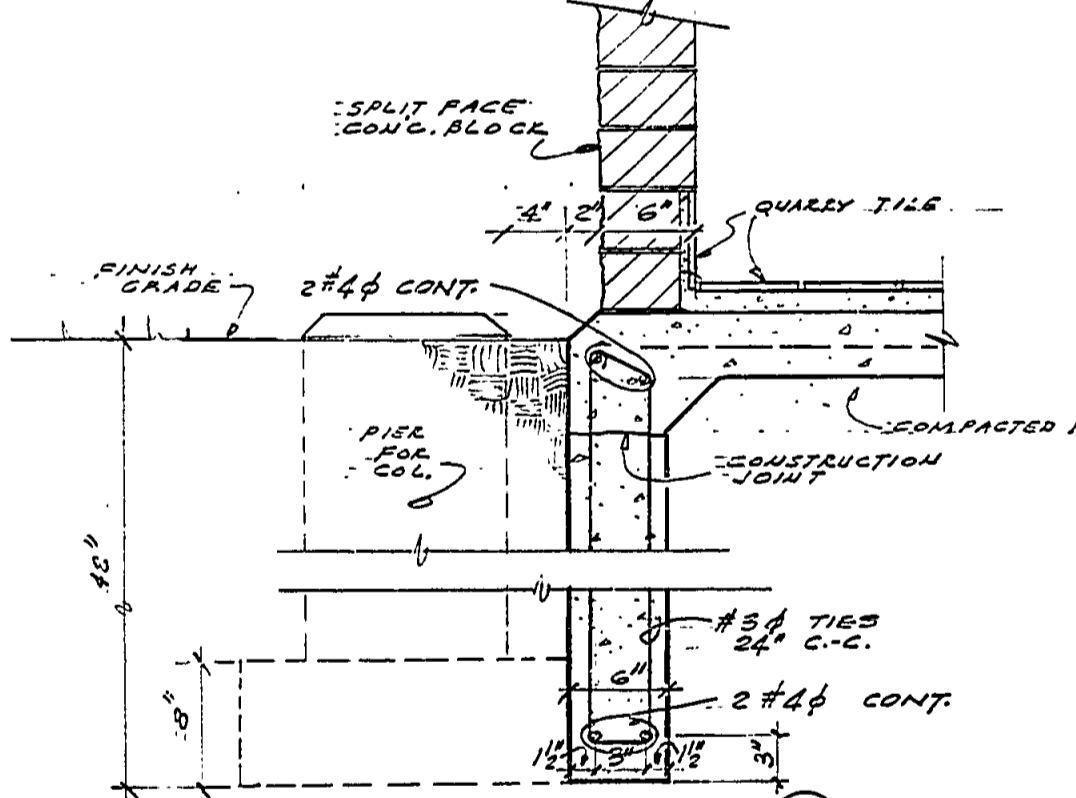
FOUNDATION PLAN
SCALE 1/4"=1'-0"



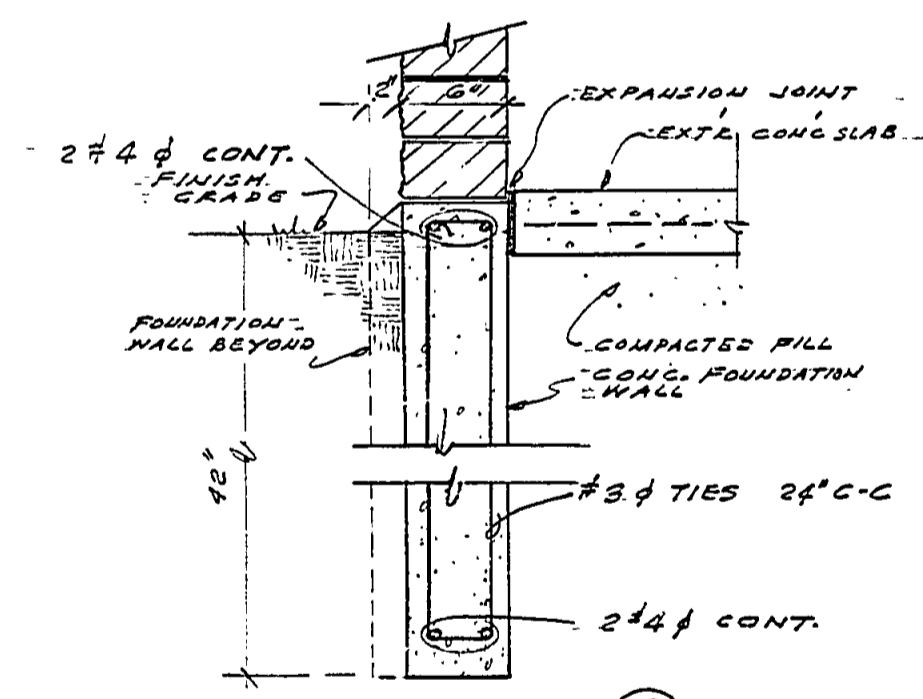
SPLASH BOX
SCALE 1/4"=1'-0"



SECTION
SCALE 1/4"=1'-0"



SECTION
SCALE 1/4"=1'-0"



SECTION
SCALE 1/4"=1'-0"

DETAIL DESIGNATION
 SHEET WHERE DETAIL APPEARS
 SHEET WHERE DETAIL APPEARS

DETAIL SYMBOL

MICHIGAN
DEPARTMENT OF CONSERVATION
PARKS AND RECREATION DIVISION

VAN RIPER STATE PARK
TOILET & SHOWER BUILDING SA#5B

SHEET NO. 2 OF 6
PLAN NO. A-102