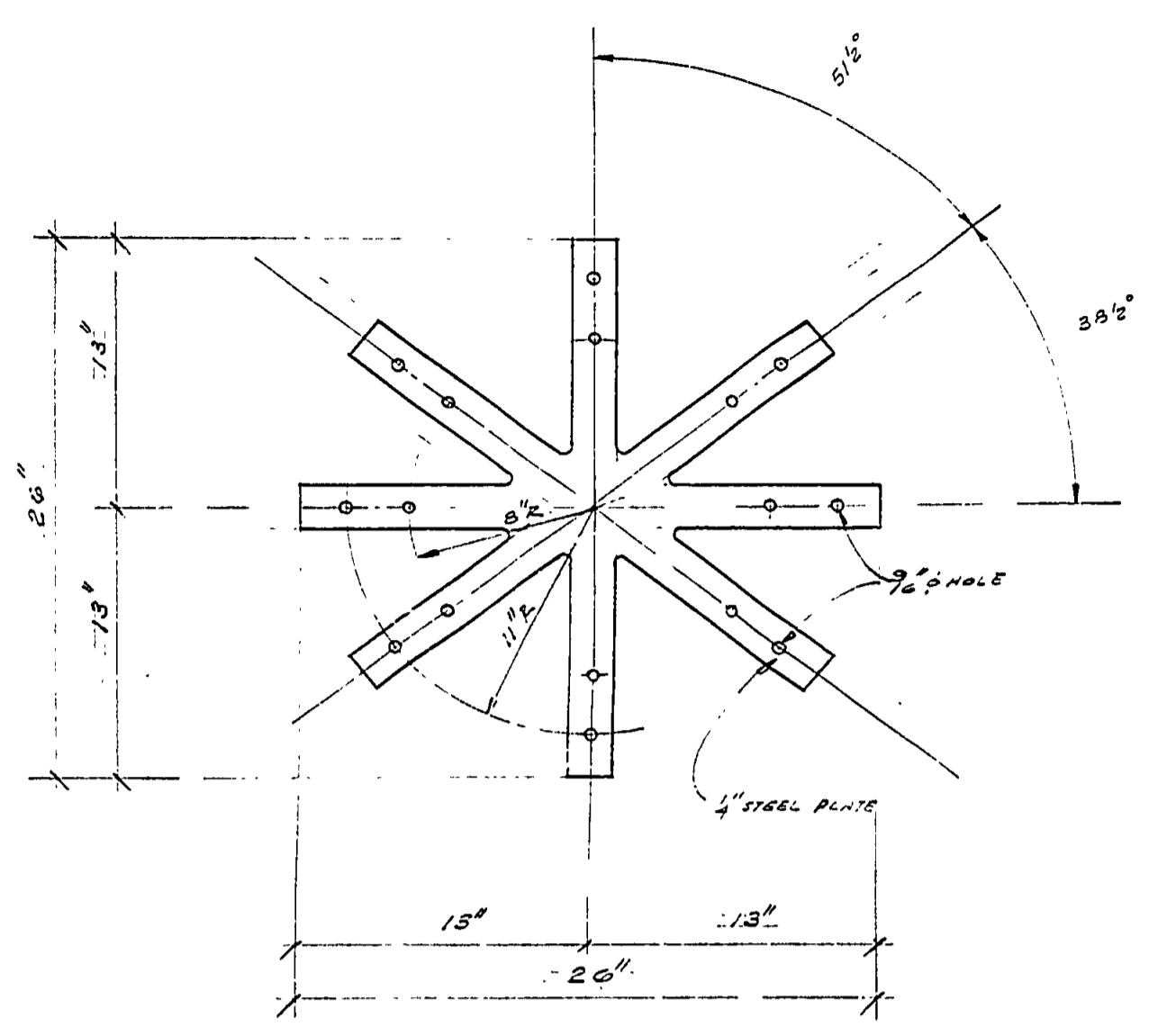
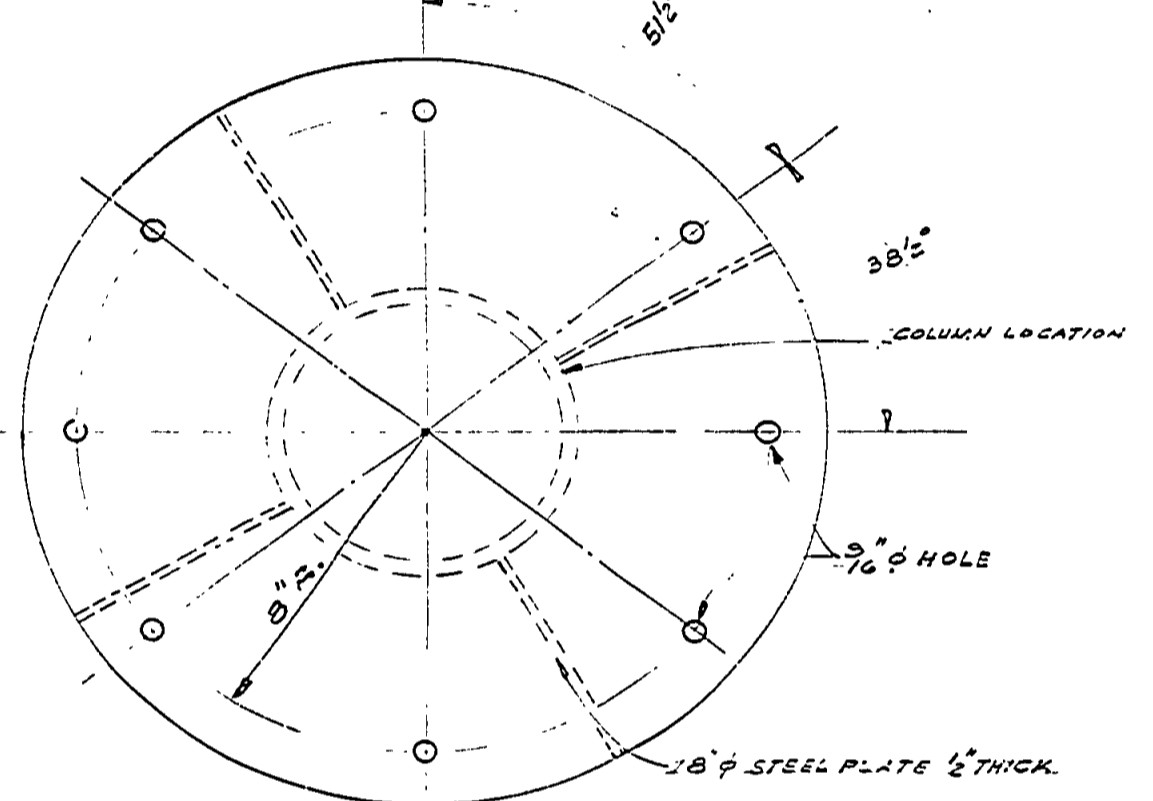


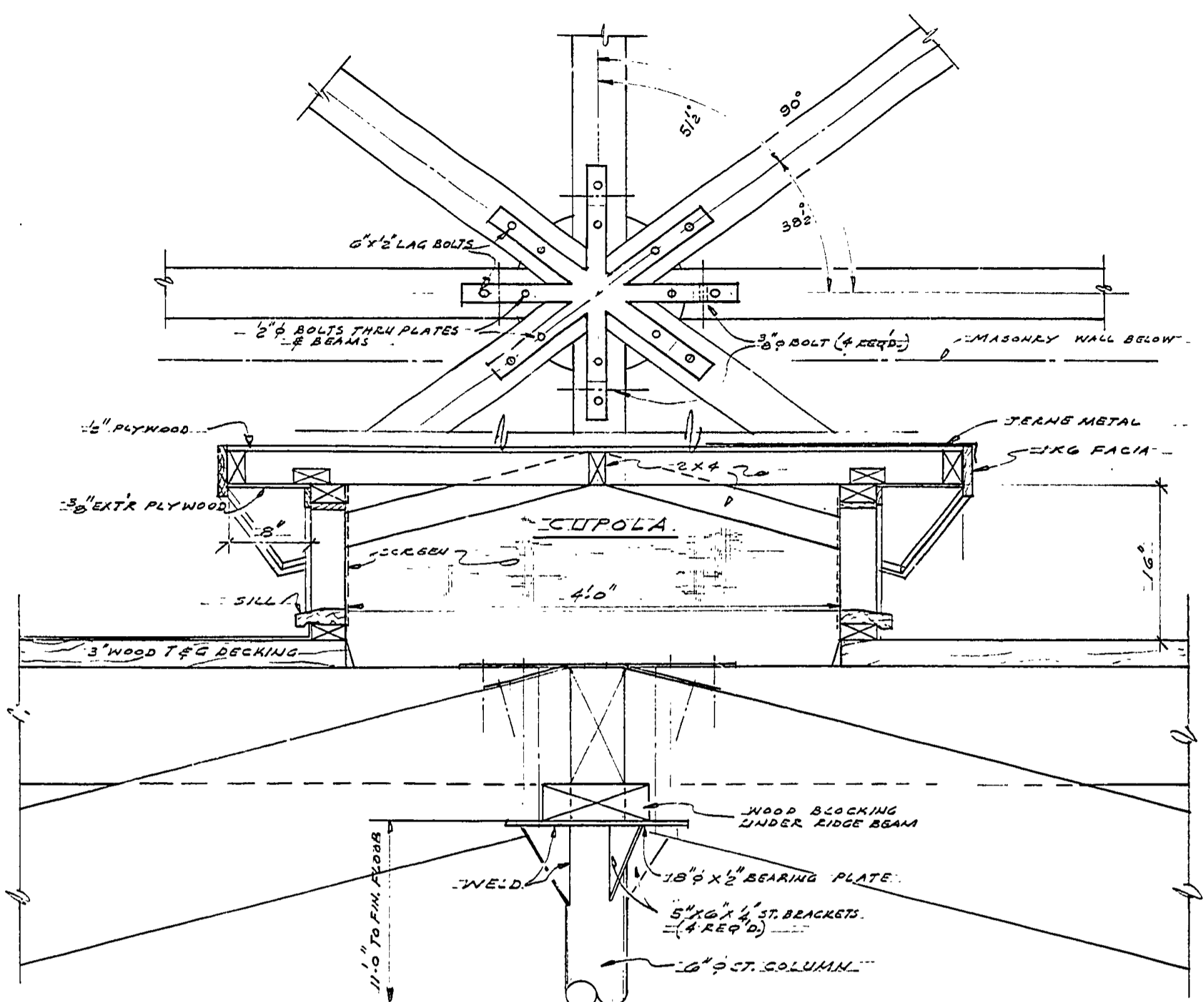
DATE	REVIEWED	DATE	APPROVED	DATE	NO.	DATE	BY	REVISIONS	DATE	BY
11/27/81	ARCHITECTURAL	11/21/81	[Signature]	11/21/81	1			4		
12-17-81	ENGINEERING	11-29-81	[Signature]	11-29-81	2			5		
	LANDSCAPE	11-29-81	[Signature]	11-29-81	3			6		



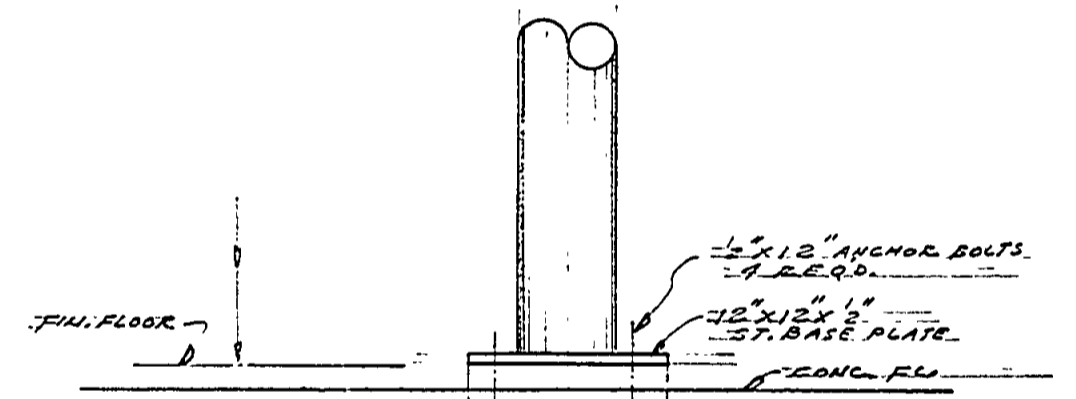
TOP CONN. PLATE
SCALE 1/2"=1'-0"



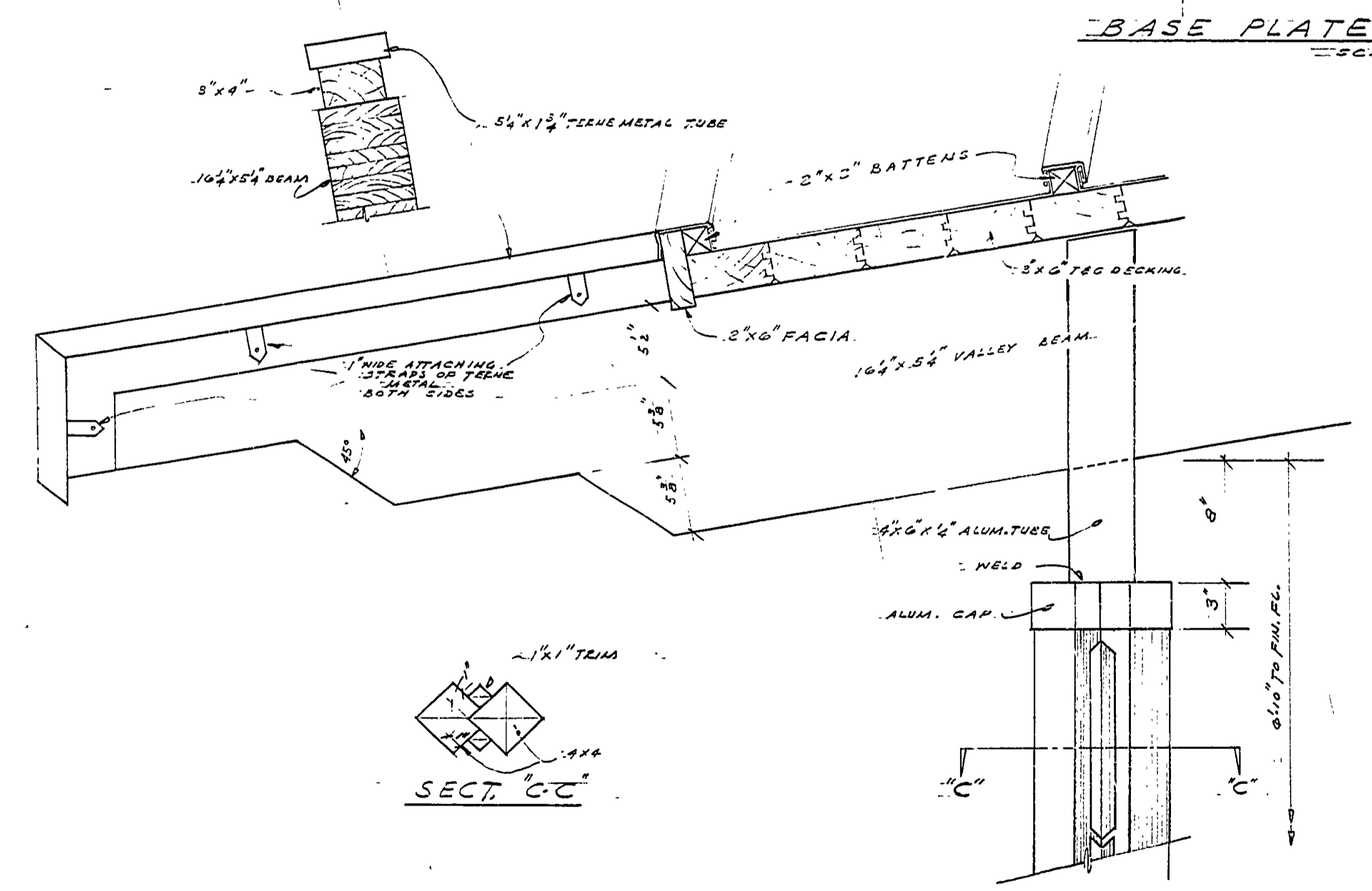
BOTTOM CONN. PLATE
SCALE 3/4"=1'-0"



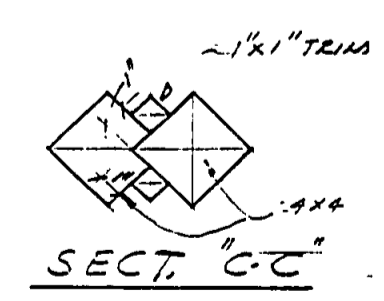
SECTION
CENTER COL.-BEAM CONN. DETAIL
SCALE 1"=1'-0"



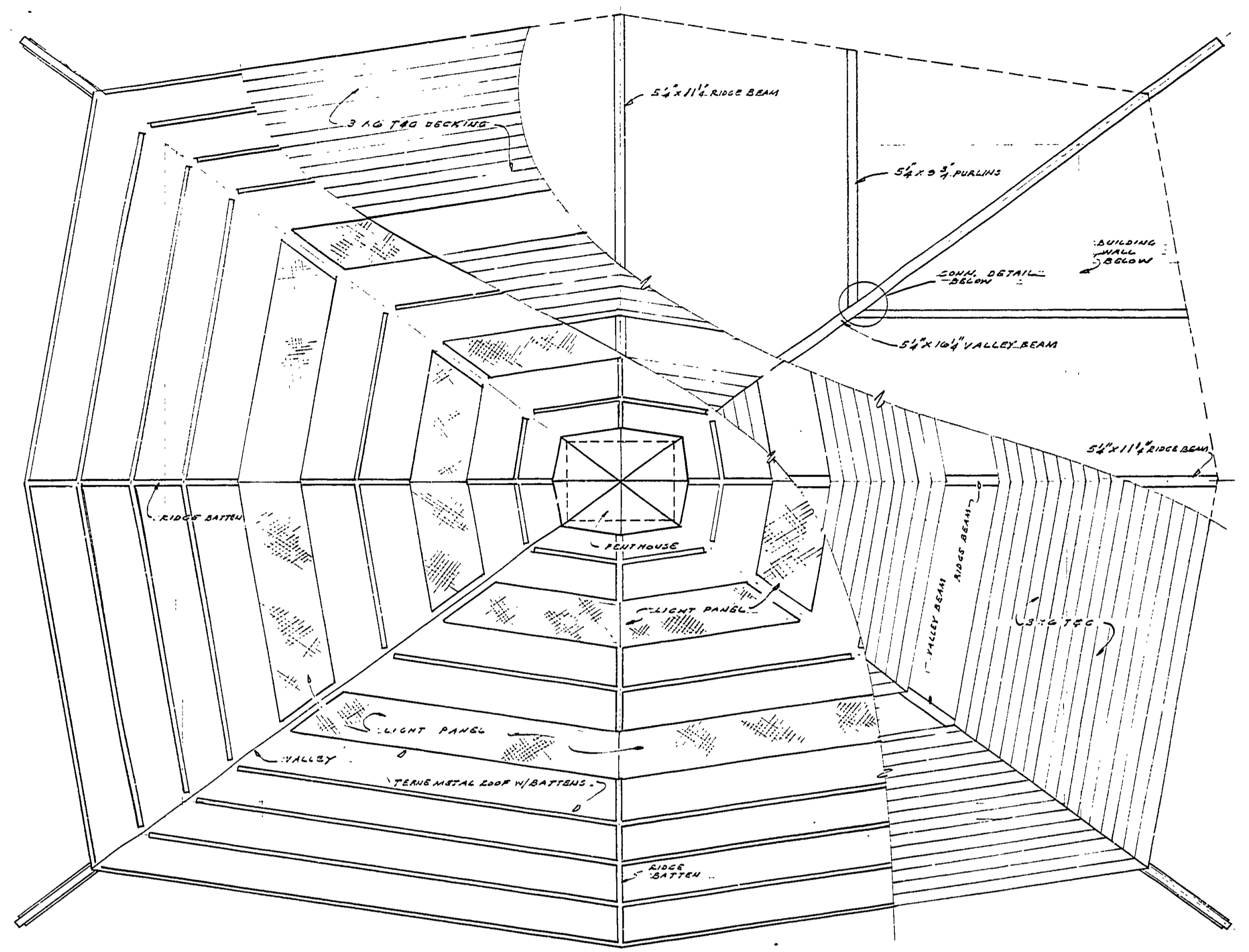
BASE PLATE
SCALE 1"=1'-0"



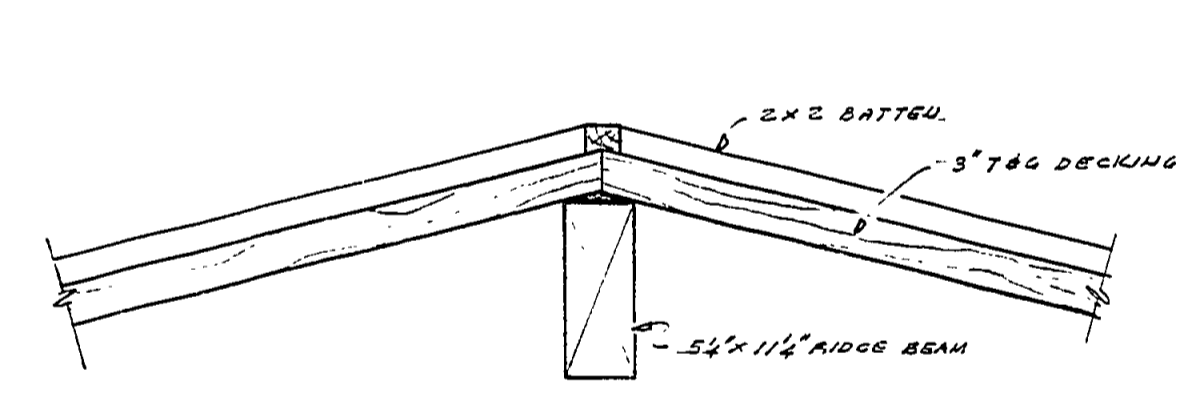
VALLEY BEAM TAIL DETAIL
SCALE 1/2"=1'-0"



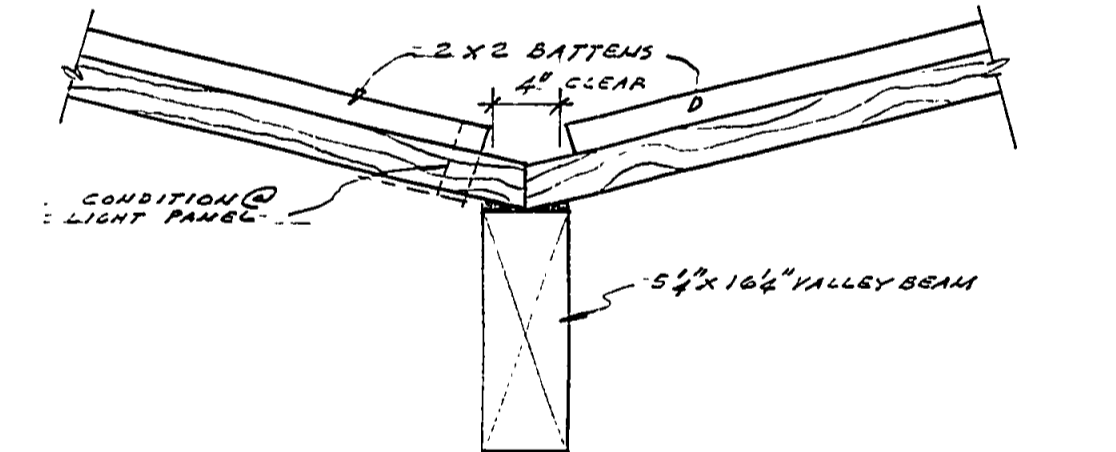
SECT. C-C



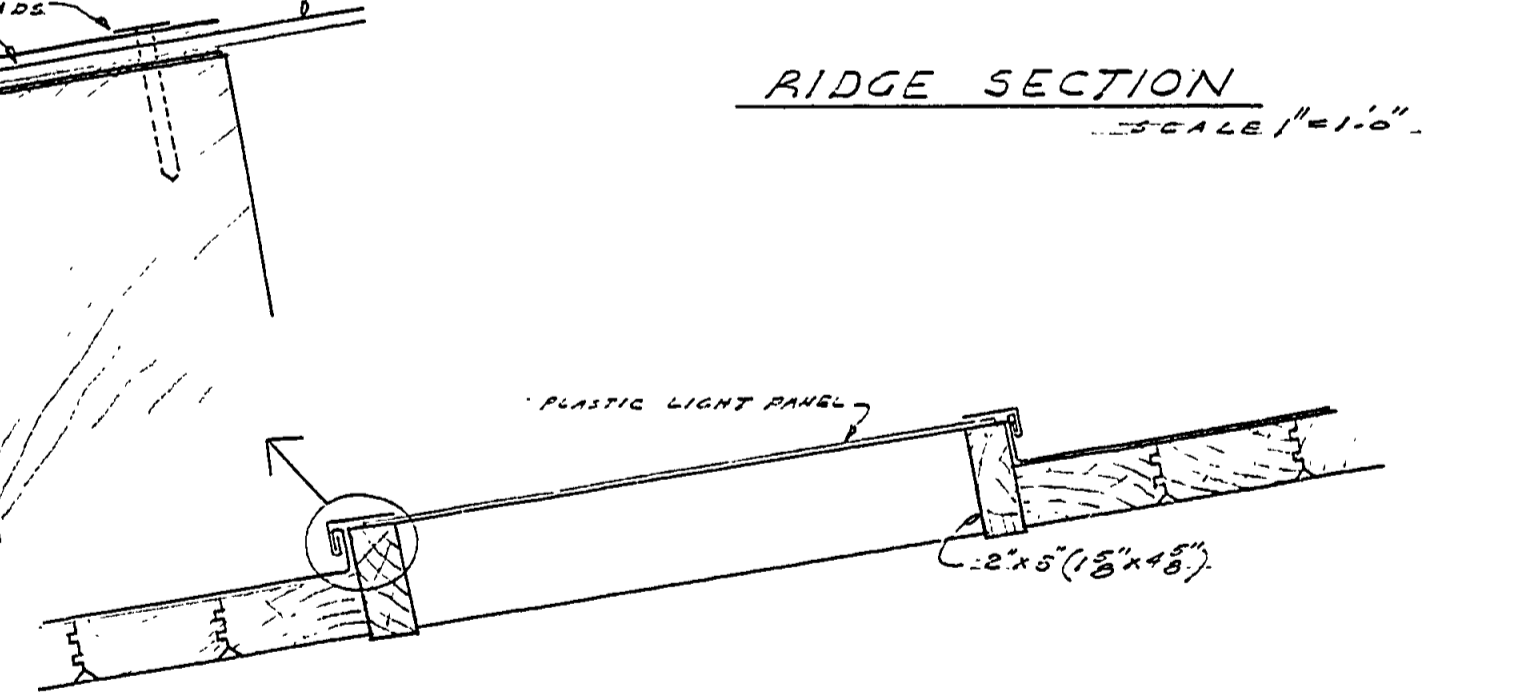
ROOF PLAN
SCALE 1/2"=1'-0"



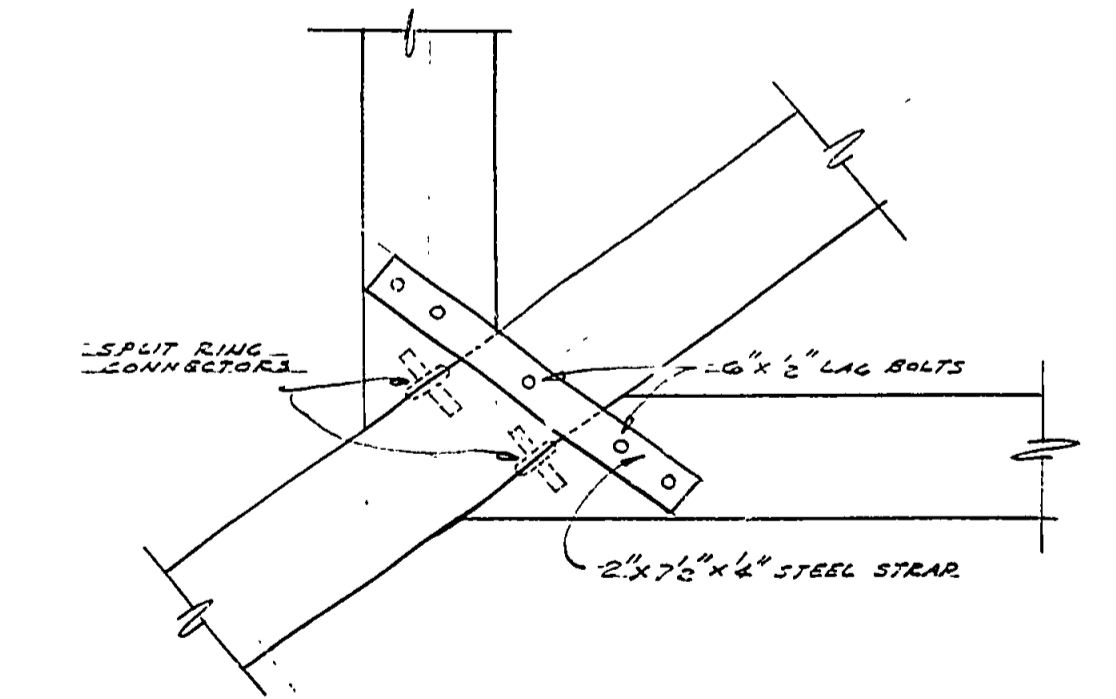
RIDGE SECTION
SCALE 1"=1'-0"



VALLEY SECTION
SCALE 1"=1'-0"



LIGHT PANEL SECTION
SCALE 1/2"=1'-0"



PURLIN TO VALLEY BEAM CONNECTION
SCALE 1/2"=1'-0"