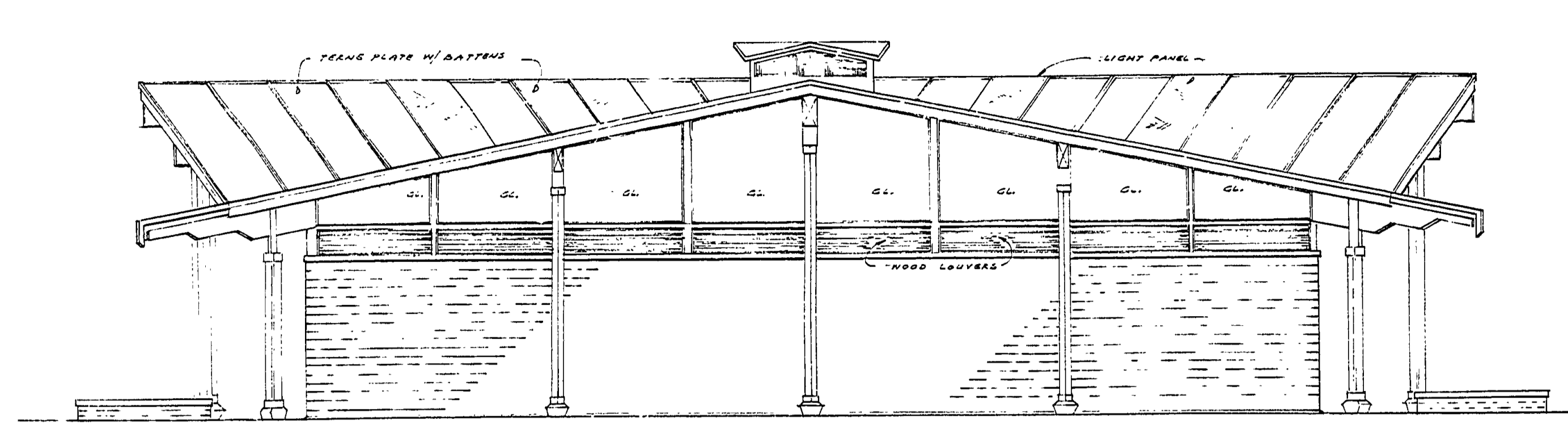


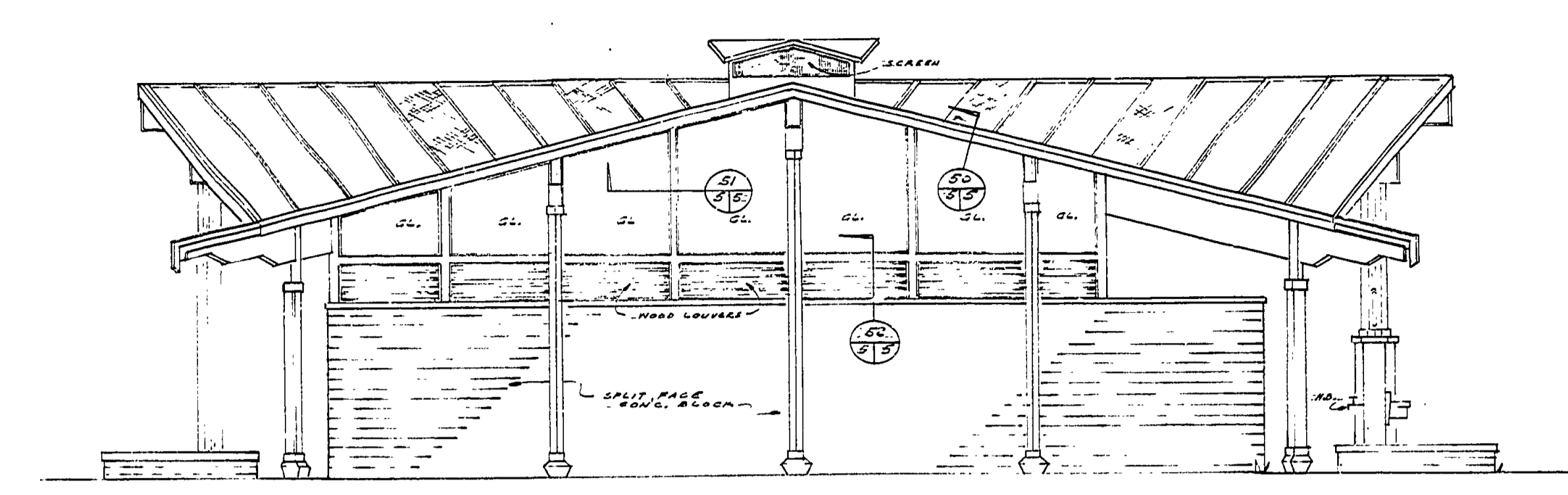
DATE	REVIEWED	DATE	APPROVED	DATE	NO.	DATE	BY	REVISIONS
11/16/61	ARCHITECTURAL	11/17/61	[Signature]	11/19/61	1	11/23/61	[Signature]	4
11/21/61	ENGINEERING	11/21/61	[Signature]	11/23/61	2			5
11/21/61	LANDSCAPE	11/23/61	[Signature]	11/23/61	3			6

DESIGNED BY	DRAWN BY	CHECKED BY
[Signature]	[Signature]	[Signature]

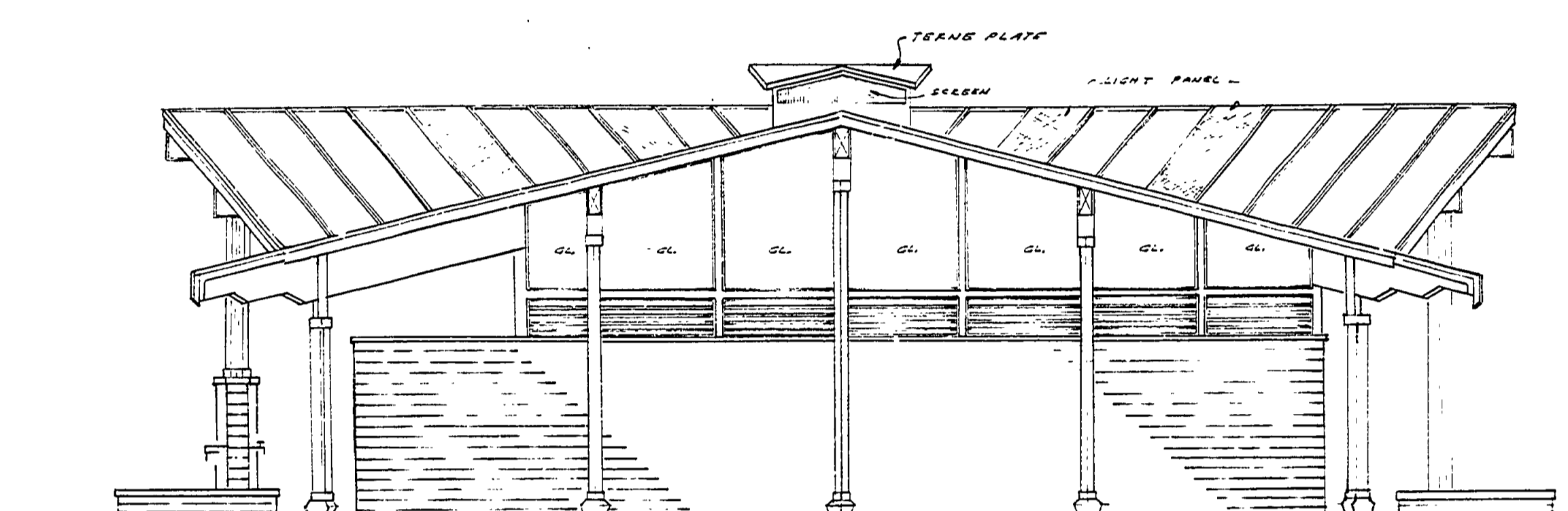
DATE	REVISIONS
11/16/61	ADD CLEAR STORY MULL LAYOUT



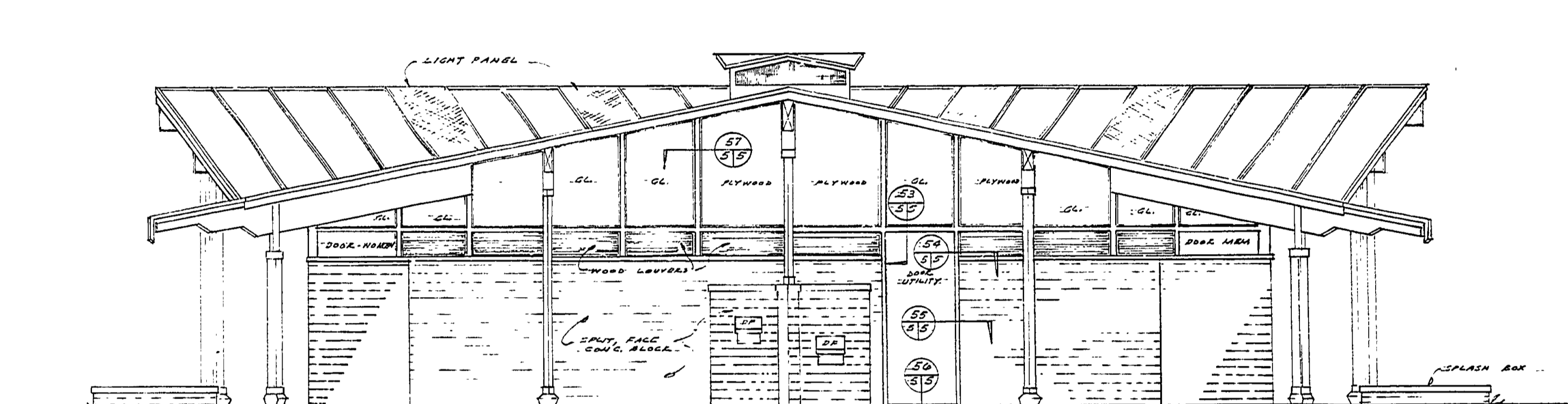
REAR ELEVATION - N.W.
SCALE 1/4" = 1'-0"



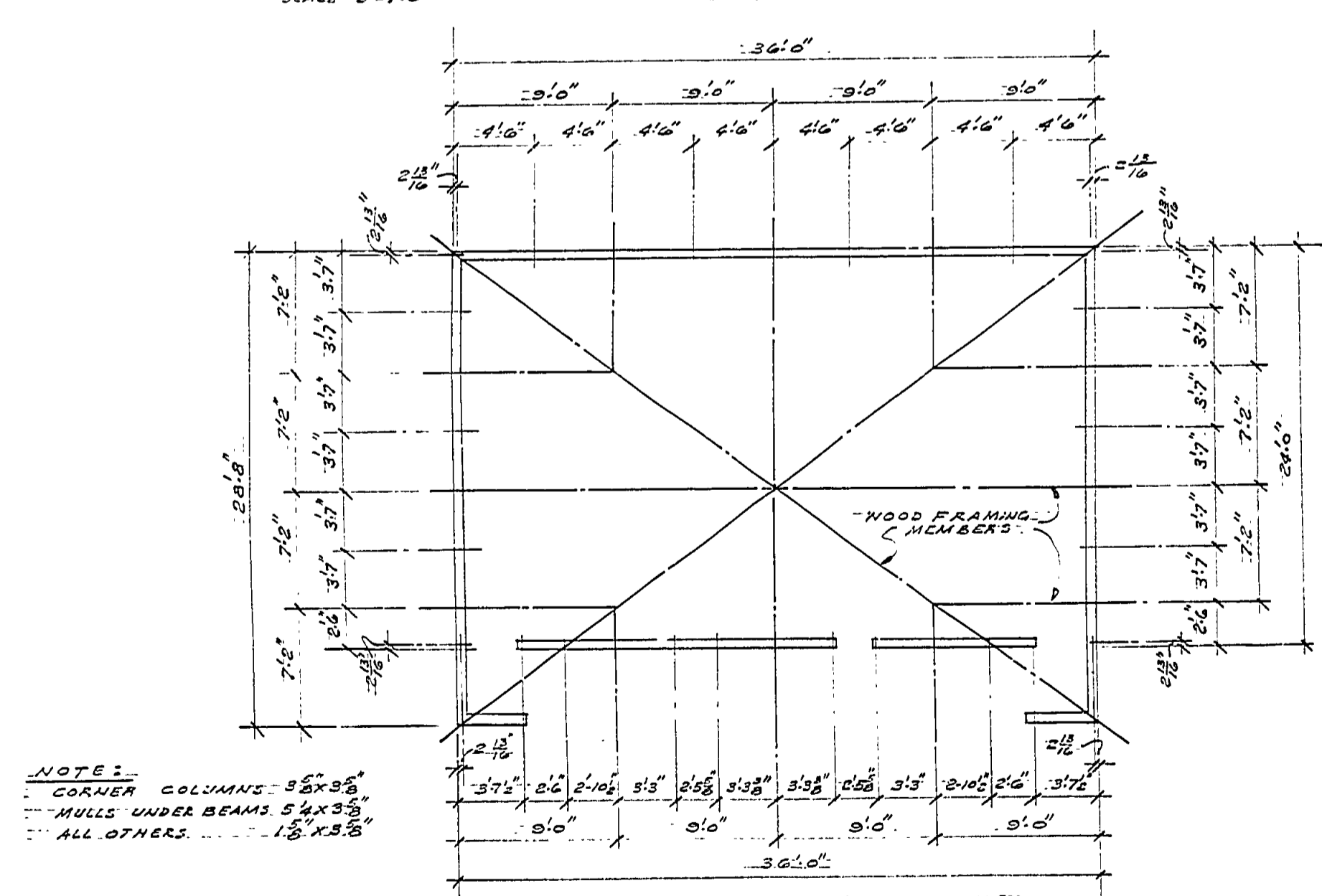
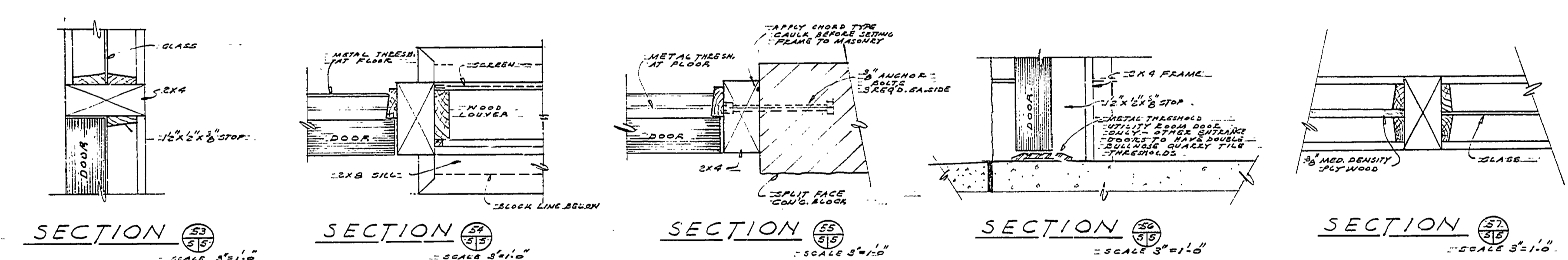
S.W. ELEVATION
SCALE 1/4" = 1'-0"



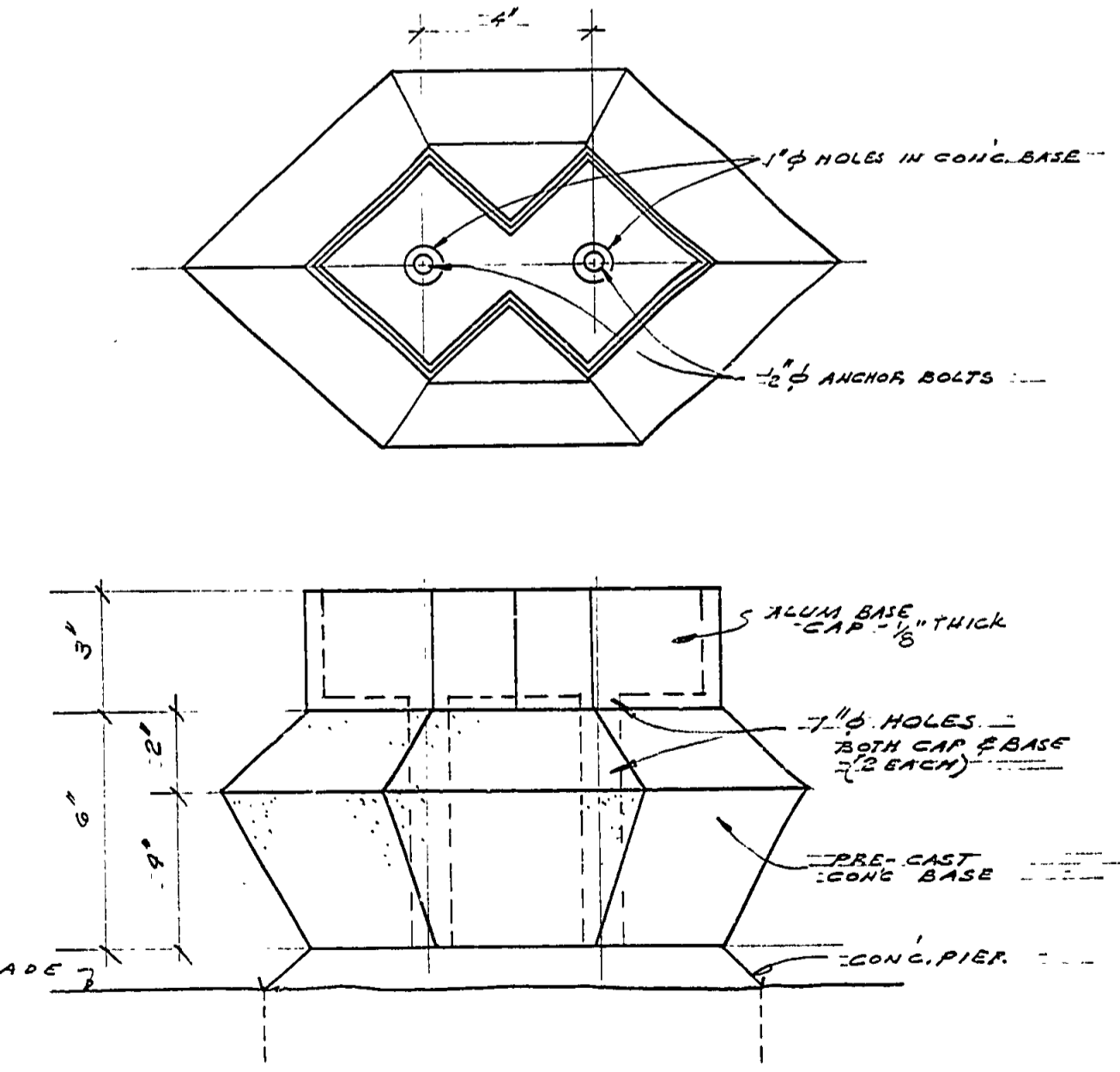
N.E. ELEVATION
SCALE 1/4" = 1'-0"



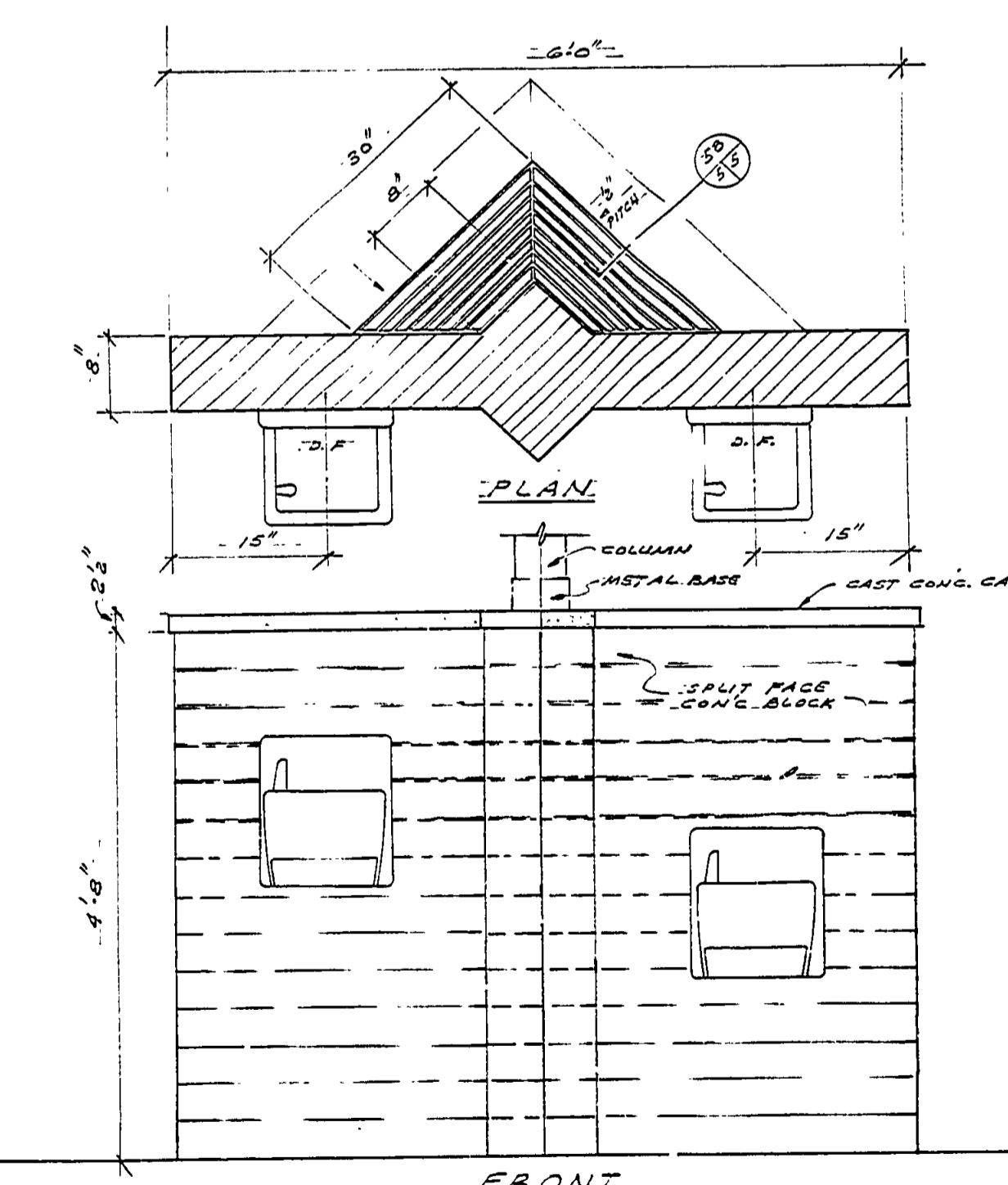
FRONT ELEVATION - S.E.
SCALE 1/4" = 1'-0"



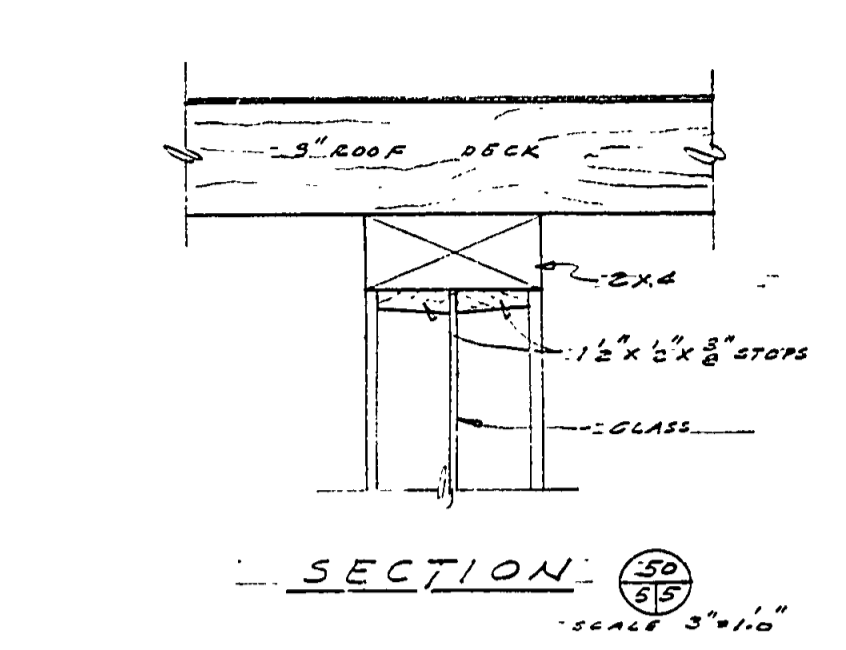
CLEAR STORY MULL LAYOUT
SCALE 1/8" = 1'-0"



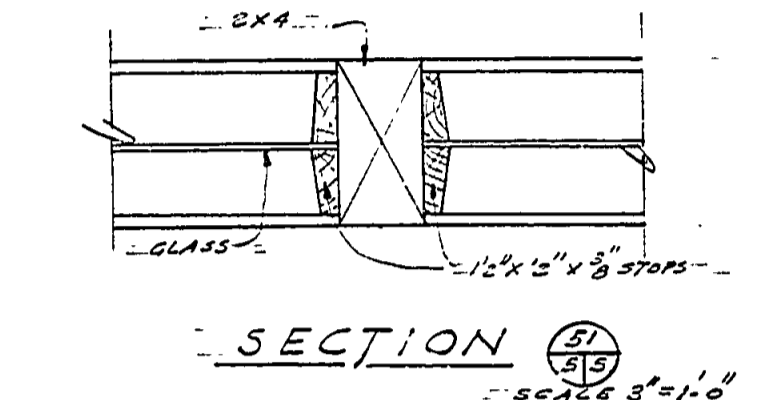
COLUMN BASE DETAIL
SCALE 1/2" = 1'-0"



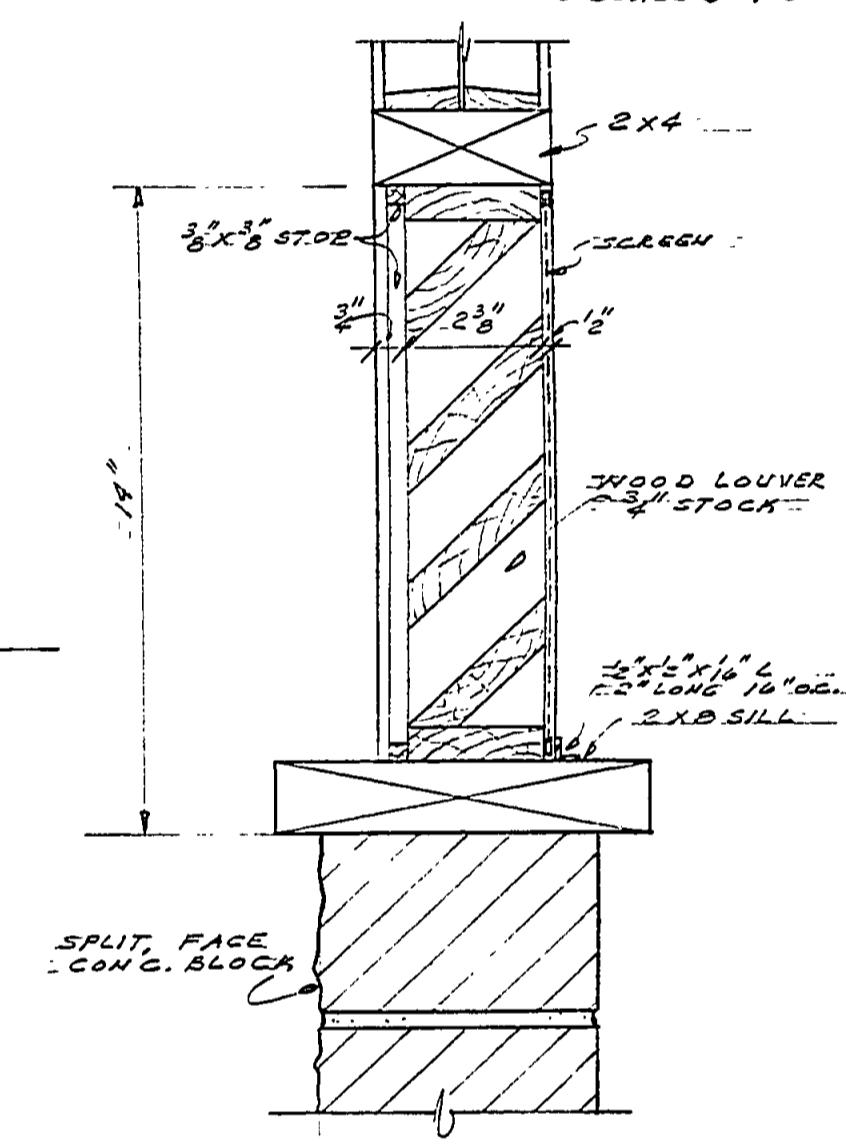
WATER STATION DETAILS
SCALE 1/4" = 1'-0"



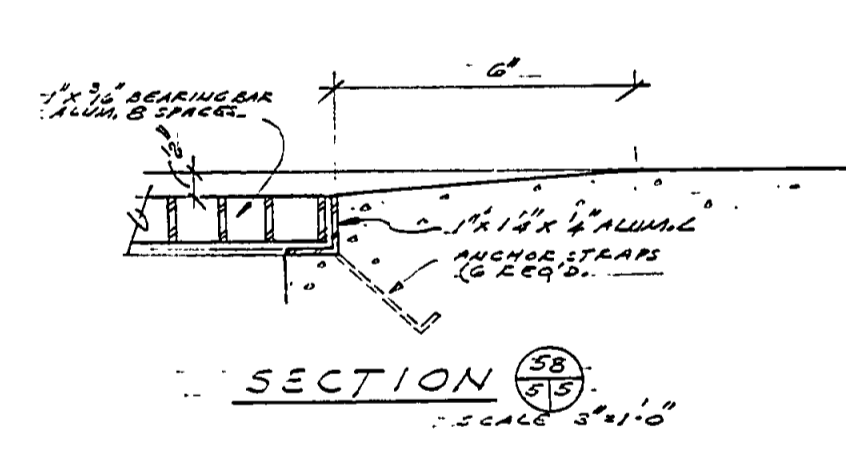
SECTION 26
SCALE 3/4" = 1'-0"



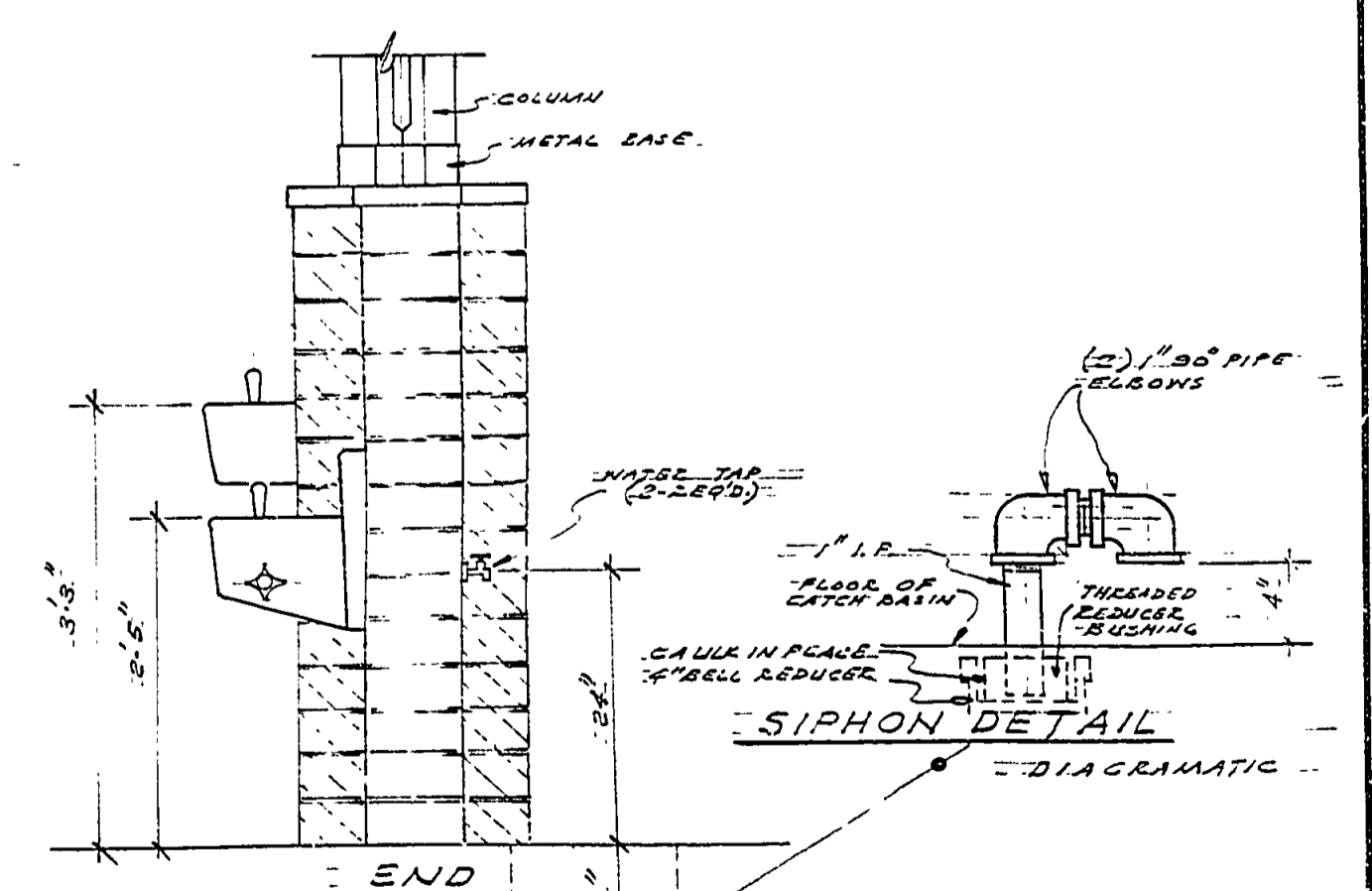
SECTION 27
SCALE 3/4" = 1'-0"



SECTION 28
SCALE 3/4" = 1'-0"



SECTION 29
SCALE 3/4" = 1'-0"



SIPHON DETAIL
DIAGRAMATIC