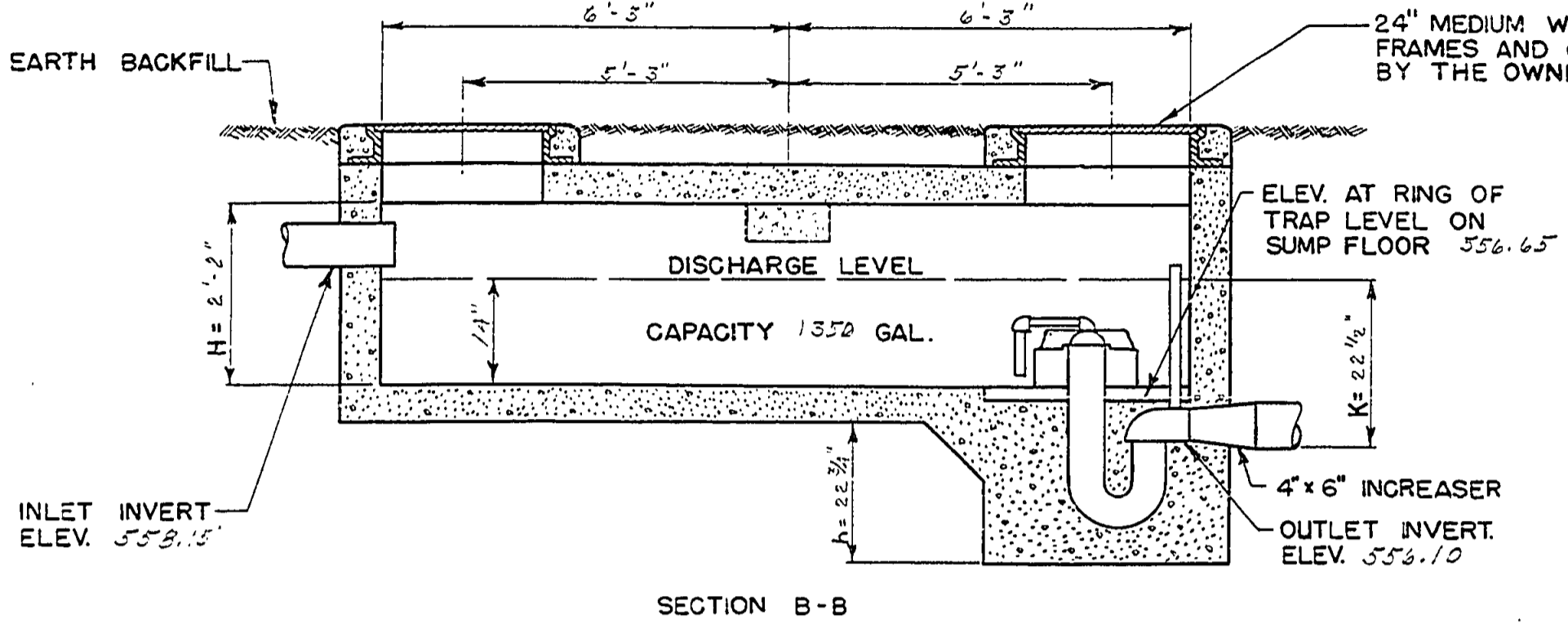
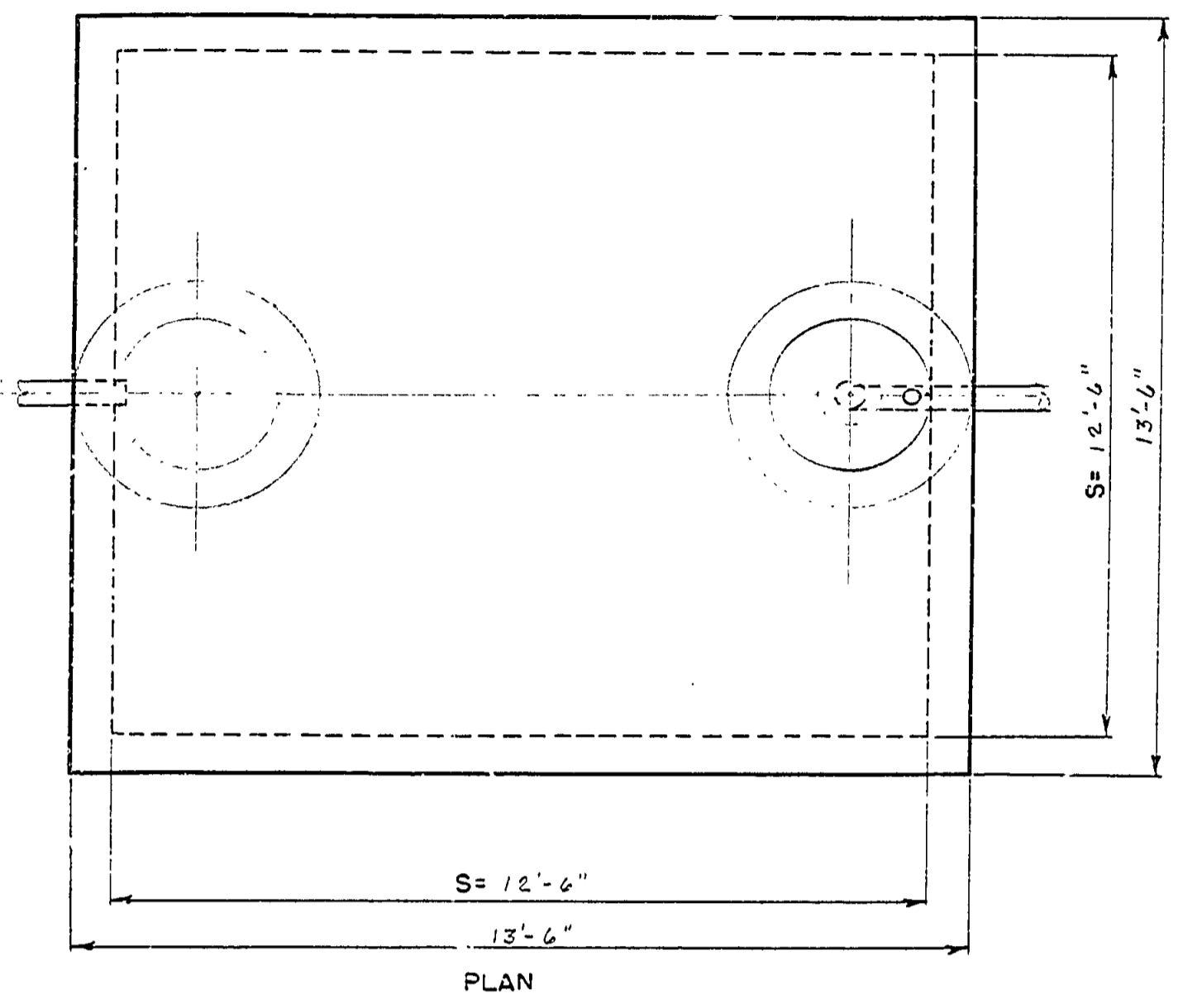


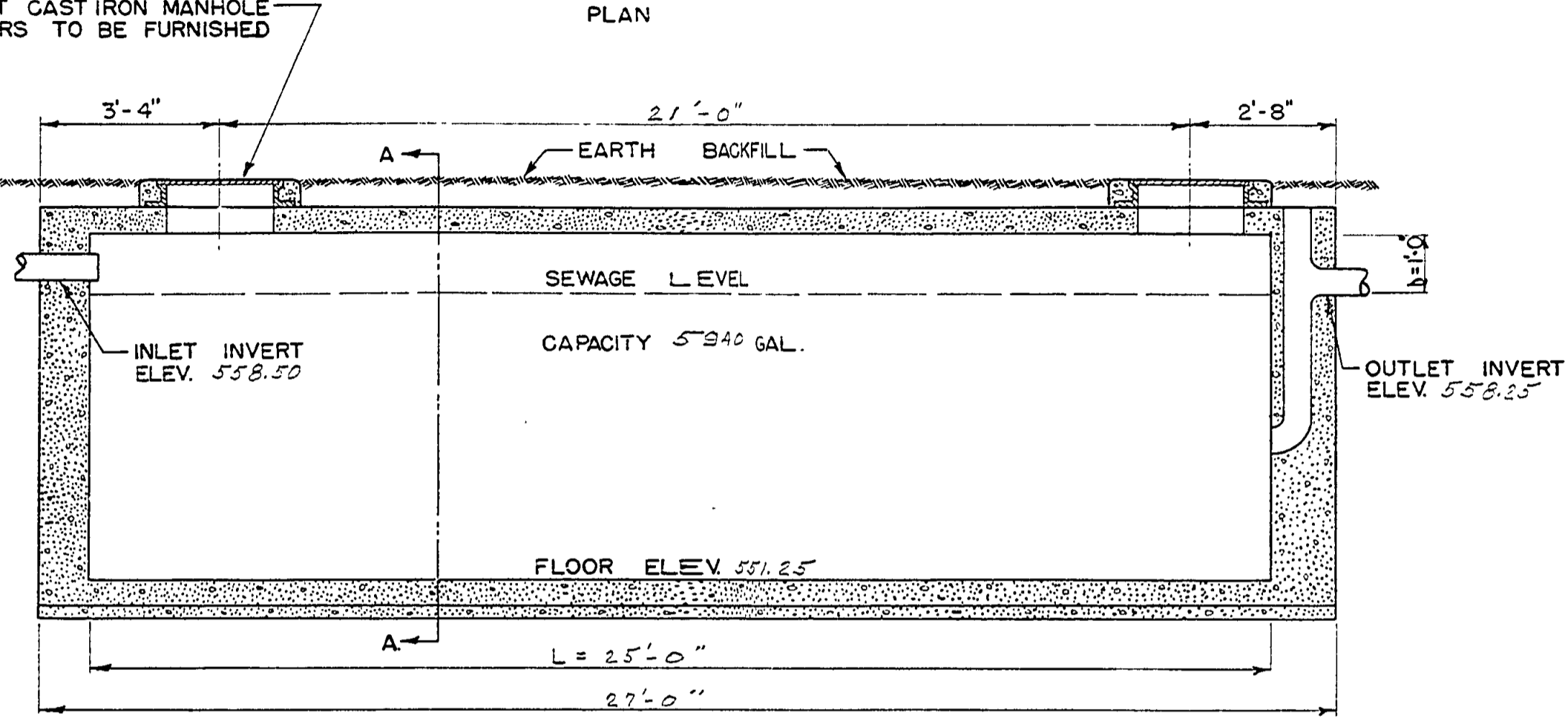
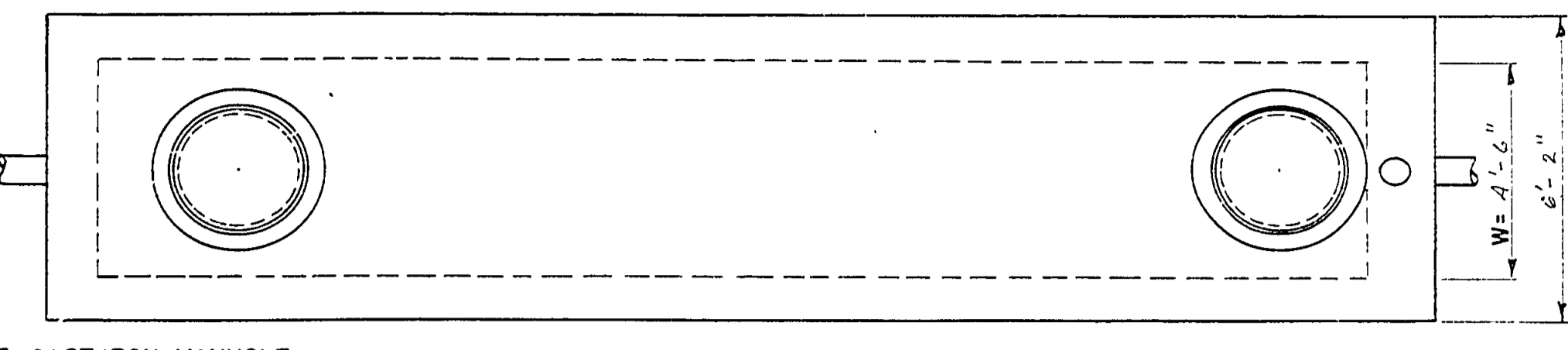
DRAWN BY F. J. P.	CHECKED BY S. S. 58	DATE 5-5-58	REVIEWED BY SECTIONS	DATE	APPROVED BY	NO. DATE	BY	REVISIONS	DATE	BY
			ARCHITECTURAL	5-15-58	[Signature]					
	ENGINEERING	5-15-58	2	5						
	LANDSCAPE	5-15-58	3	6						

NOTES FOR DOSING CHAMBER  
 SEE PLAN NO. SE-119 FOR STEEL REINFORCING  
 DETAILS AND DETAIL DIMENSIONS OF DOSING  
 CHAMBER WITH BEAM.  
 USE 4" SIPHON WITH 1/4" DRAWDOWN  
 USE S = 12'-6", H = 2'-2", K = 22 1/2", h = 22 3/4"

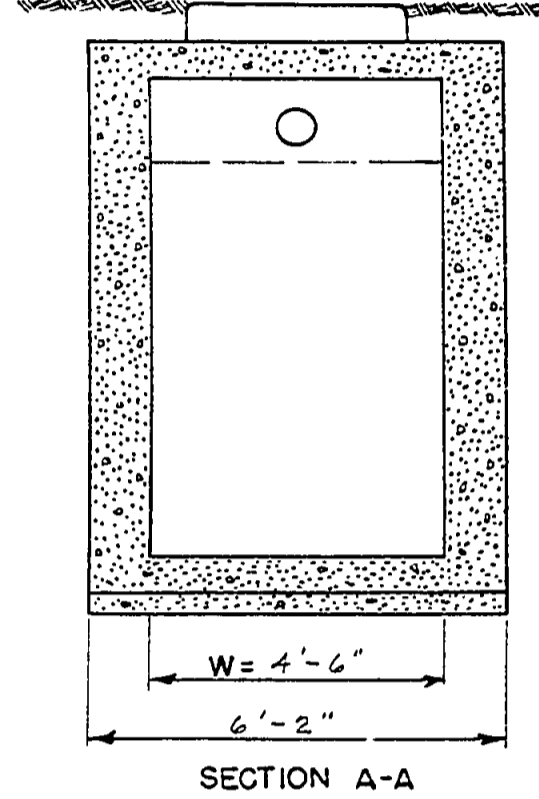
NOTES FOR SEPTIC TANK  
 SEE PLAN NO. SE-121 FOR STEEL REINFORCING  
 DETAILS AND DETAIL DIMENSIONS.  
 USE L = 25'-0", W = 4'-6", h = 1'-0"



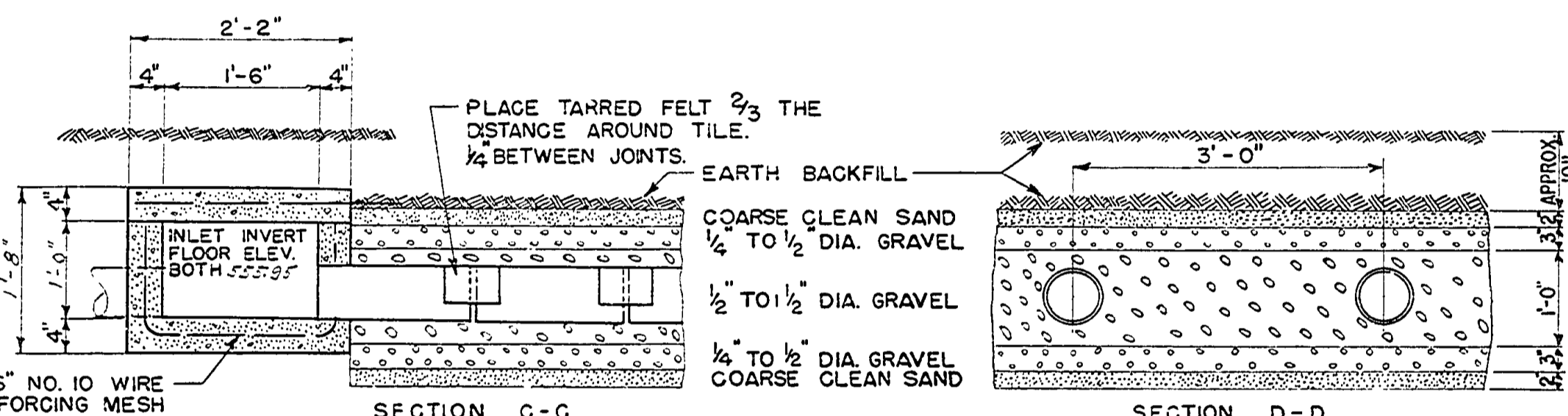
DOSING CHAMBER  
NOT TO SCALE



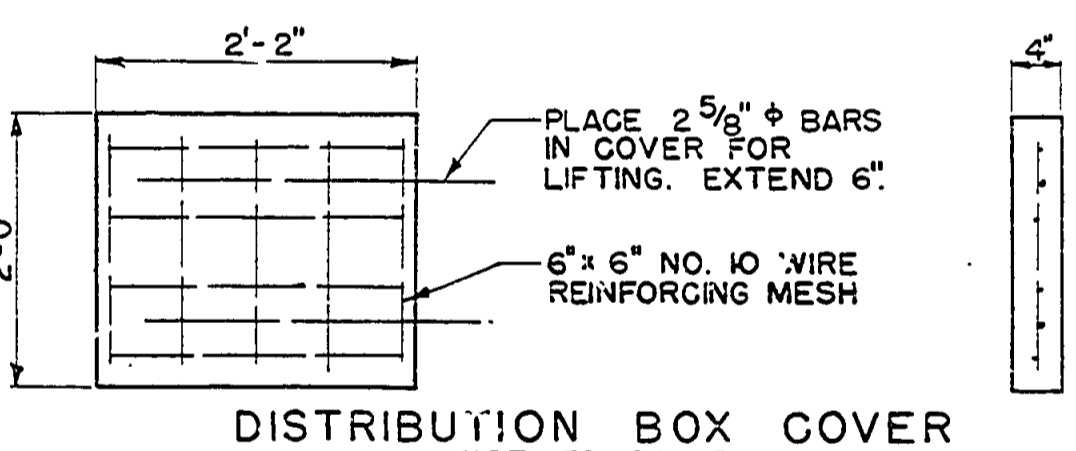
SEPTIC TANK  
NOT TO SCALE



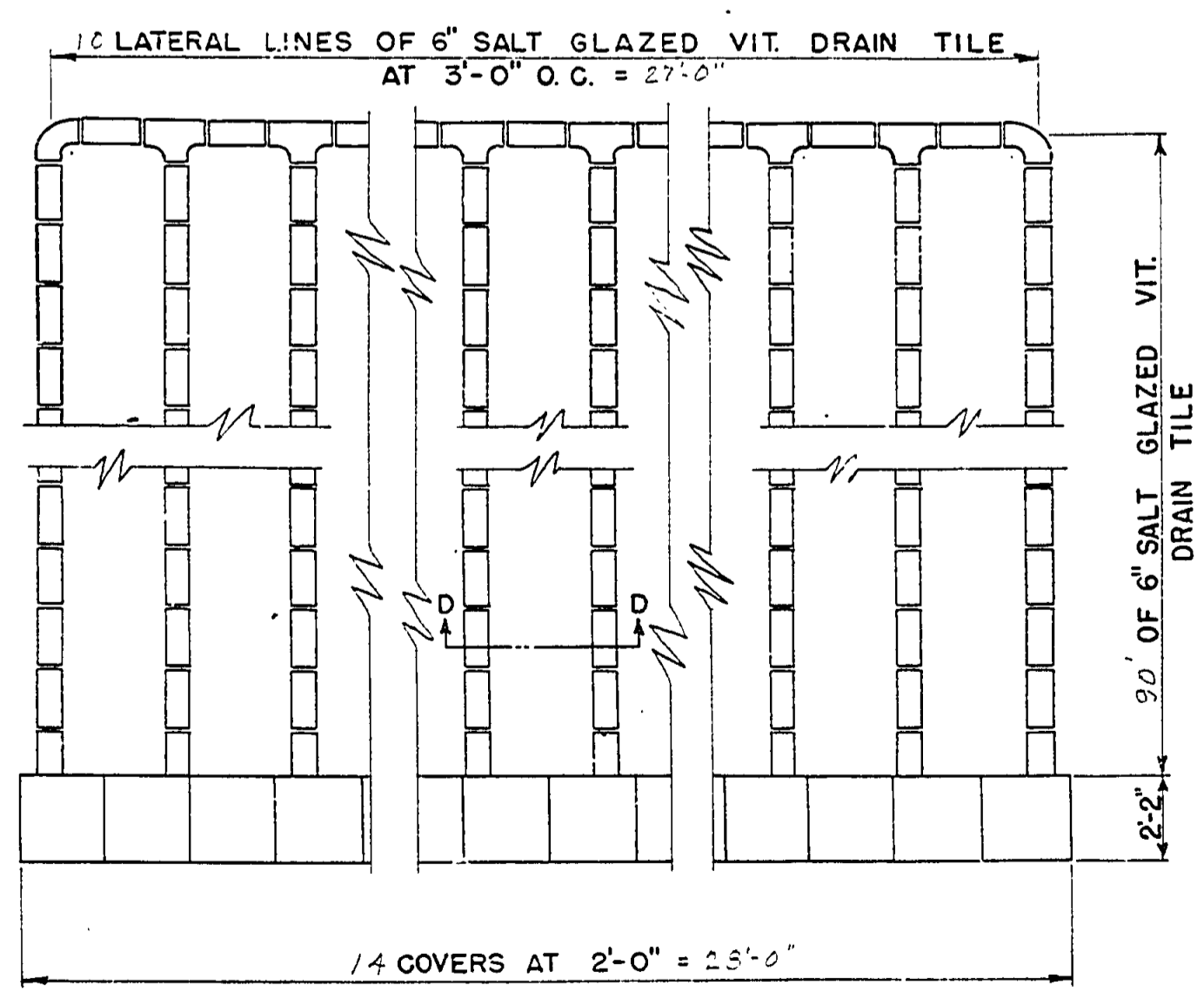
SECTION A-A



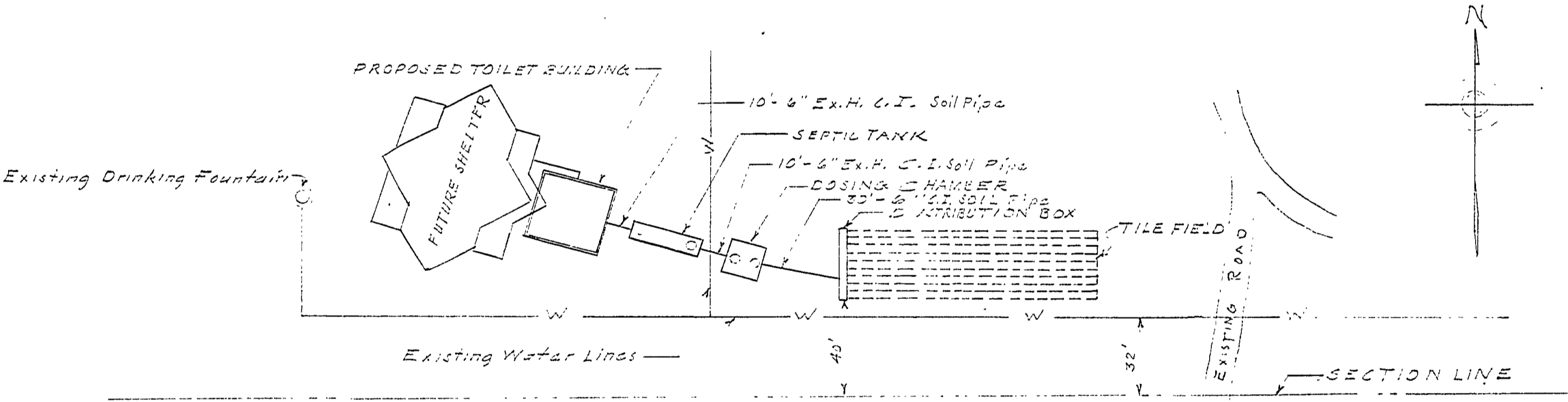
ELEVATION OF DISPOSAL FIELD  
NOT TO SCALE



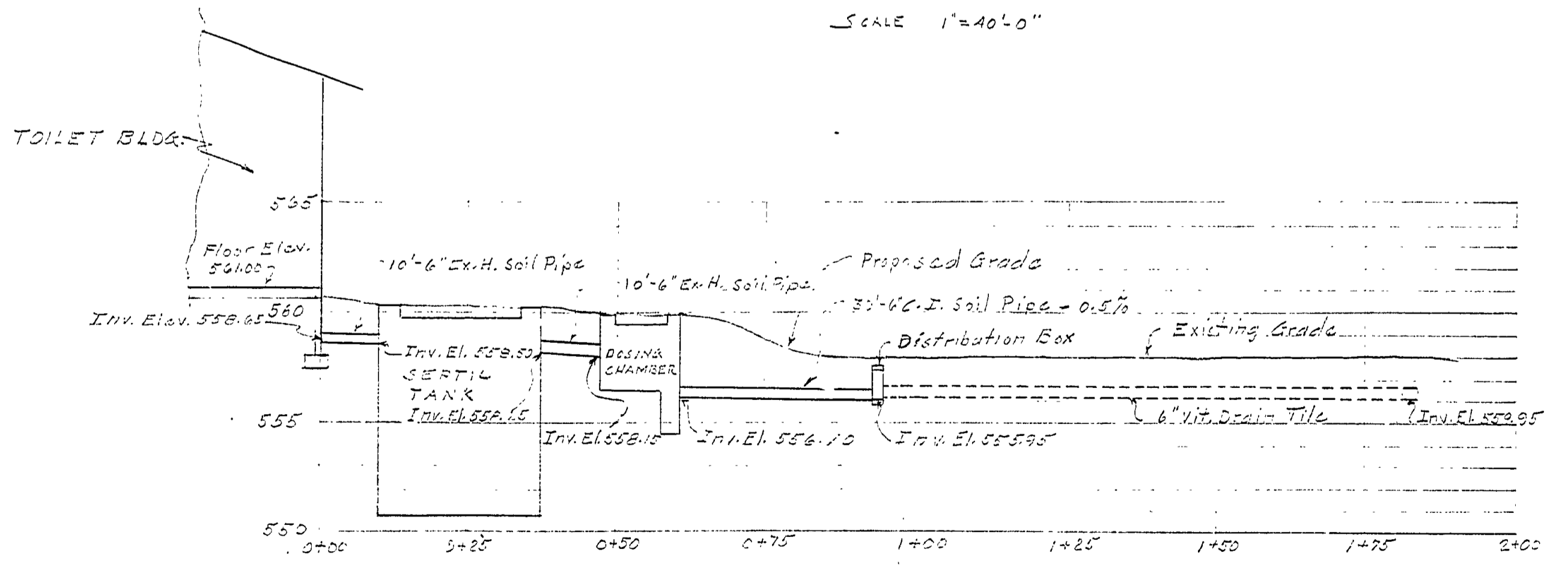
DISTRIBUTION BOX COVER  
NOT TO SCALE



PLAN  
DISPOSAL FIELD  
NOT TO SCALE



PLAN OF SEWERAGE SYSTEM  
SCALE 1" = 40'-0"



PROFILE OF SEWERAGE SYSTEM  
SCALE VERT. 1" = 5'-0", HORIZ. 1" = 20'-0"

SEE PLAN SE-119 SE-121 FOR SHEETS 2 & 3