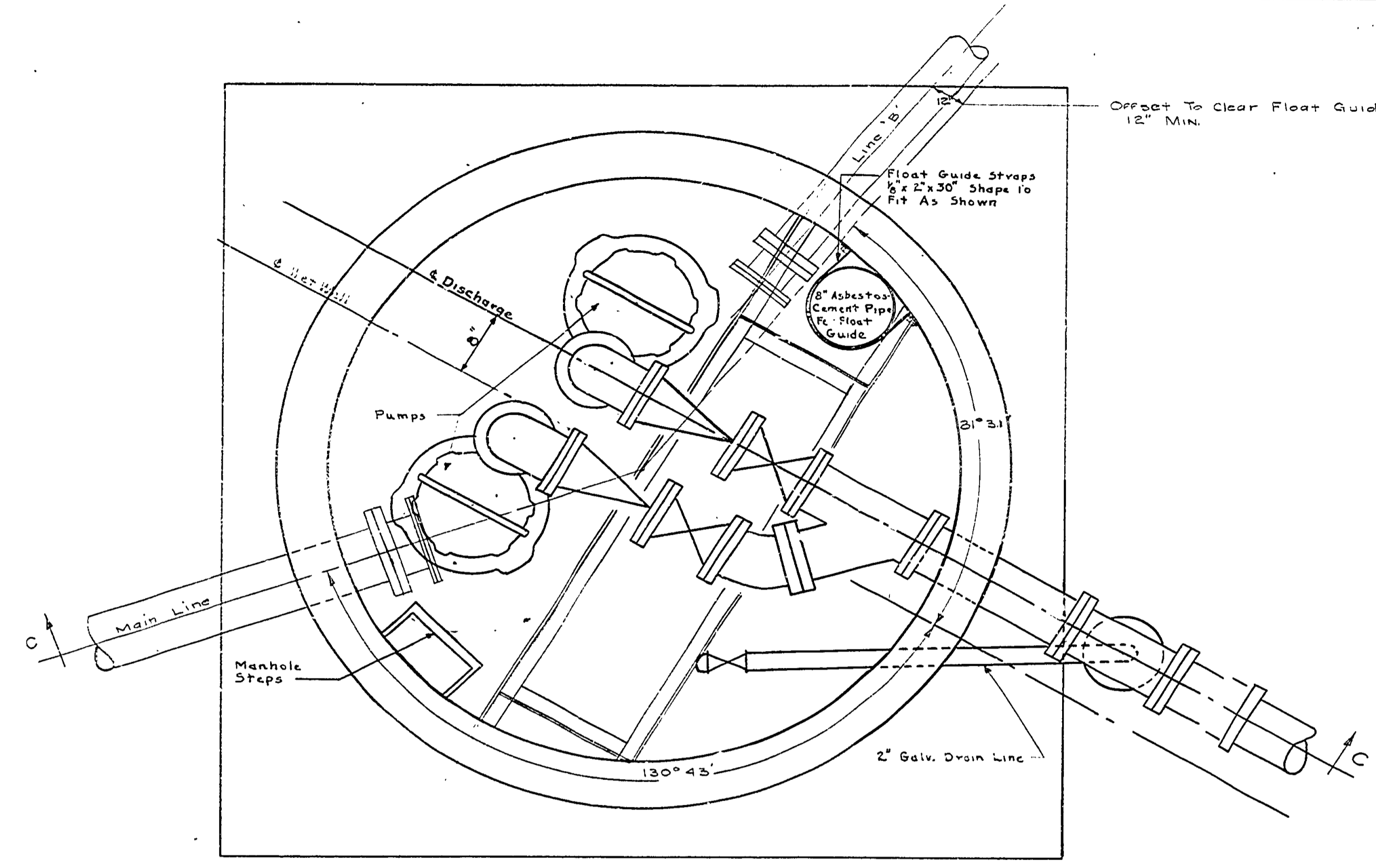
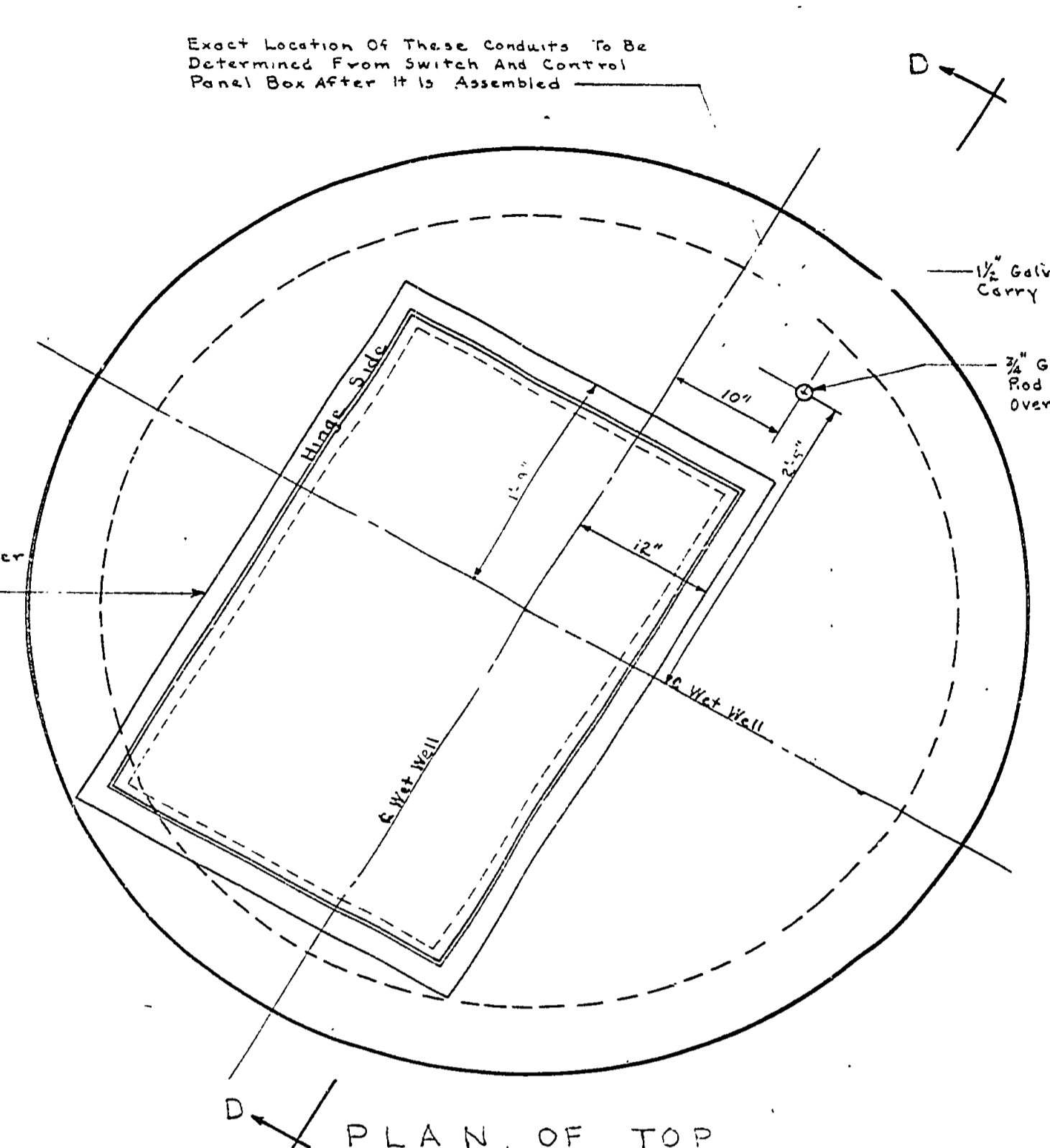


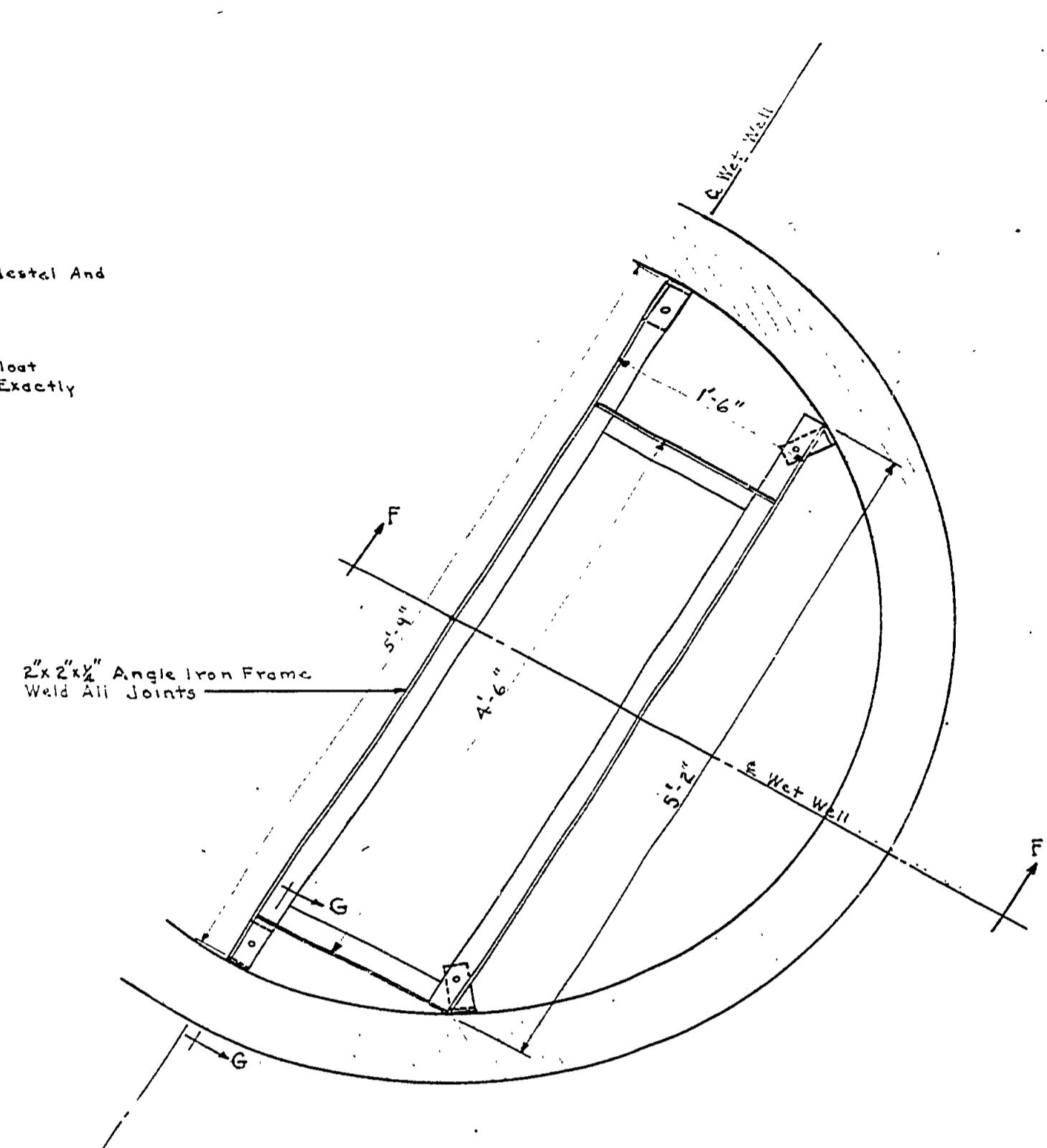
BRUNING 92170	DATE	BY
REVISIONS	NO.	DATE
1	2	3
4	5	6
APPROVED BY:	DATE	BY
REVIEWED BY SECTIONS:	DATE	BY
ARCHITECTURAL	6-21-62	G.M.C.
ENGINEERING	6-28-62	S.P.R.
LANDSCAPE	7-18-62	R.M.W.
APPROVED BY:	DATE	BY
J. Yerna	7-5-62	J. Yerna
TRACED BY	DATE	BY
ENGINEER	6-21-62	G.M.C.
CHECKED BY	DATE	BY
LANDSCAPE	6-28-62	S.P.R.
DATE	7-18-62	R.M.W.



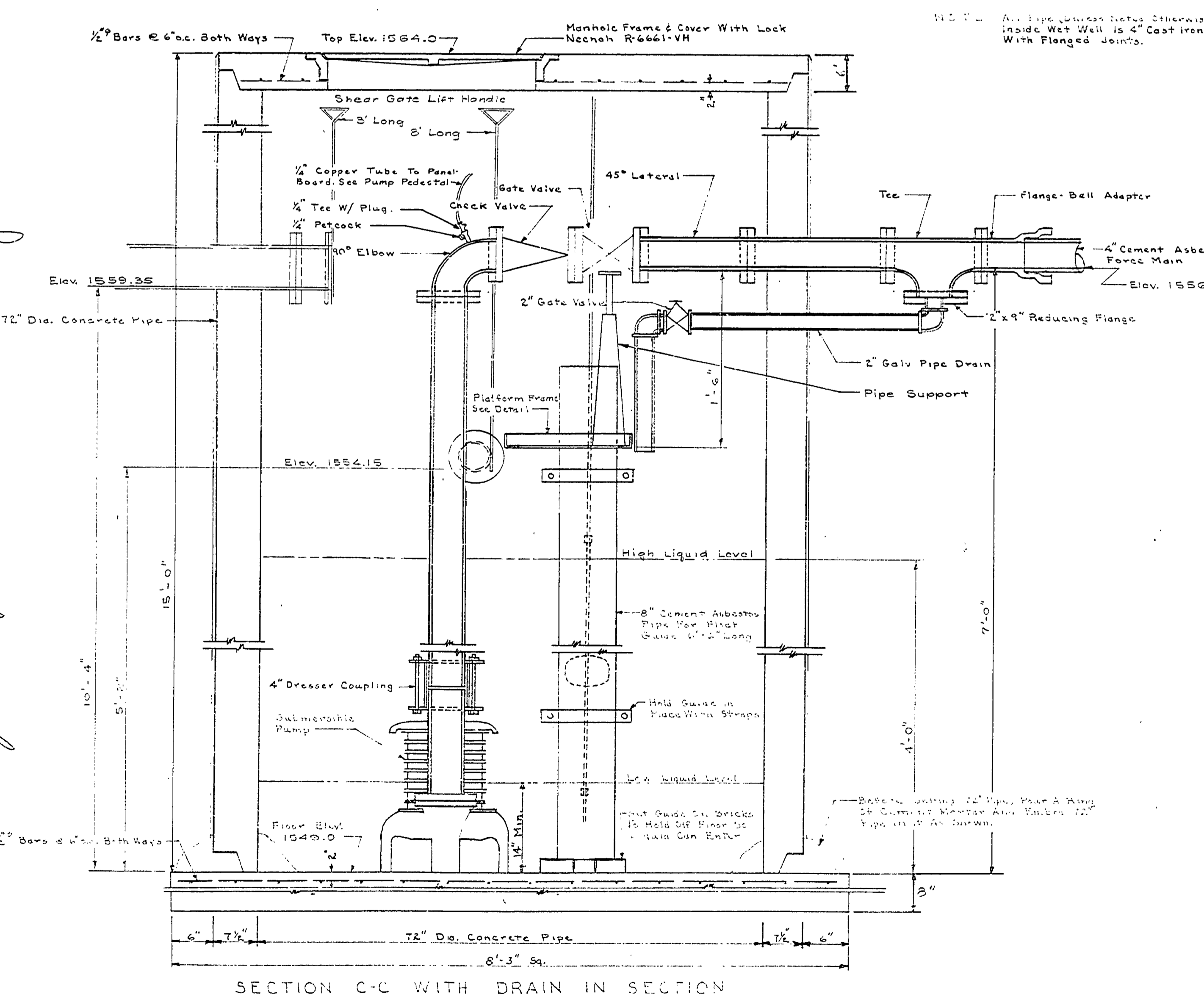
PLAN WITH TOP REMOVED



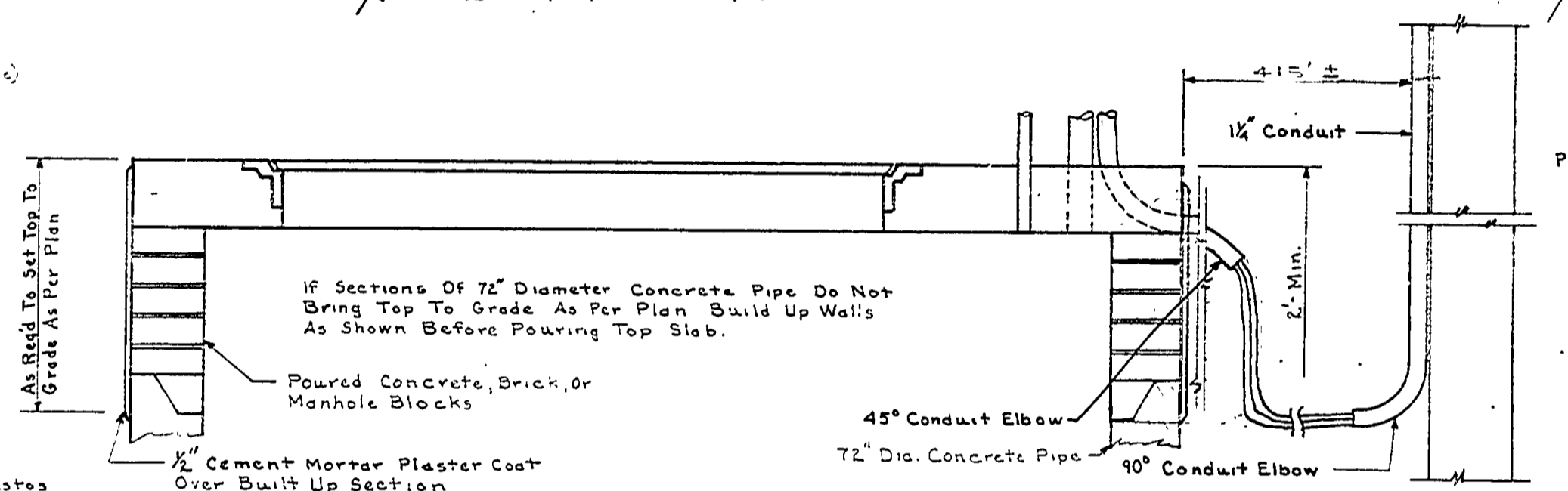
PLAN OF TOP



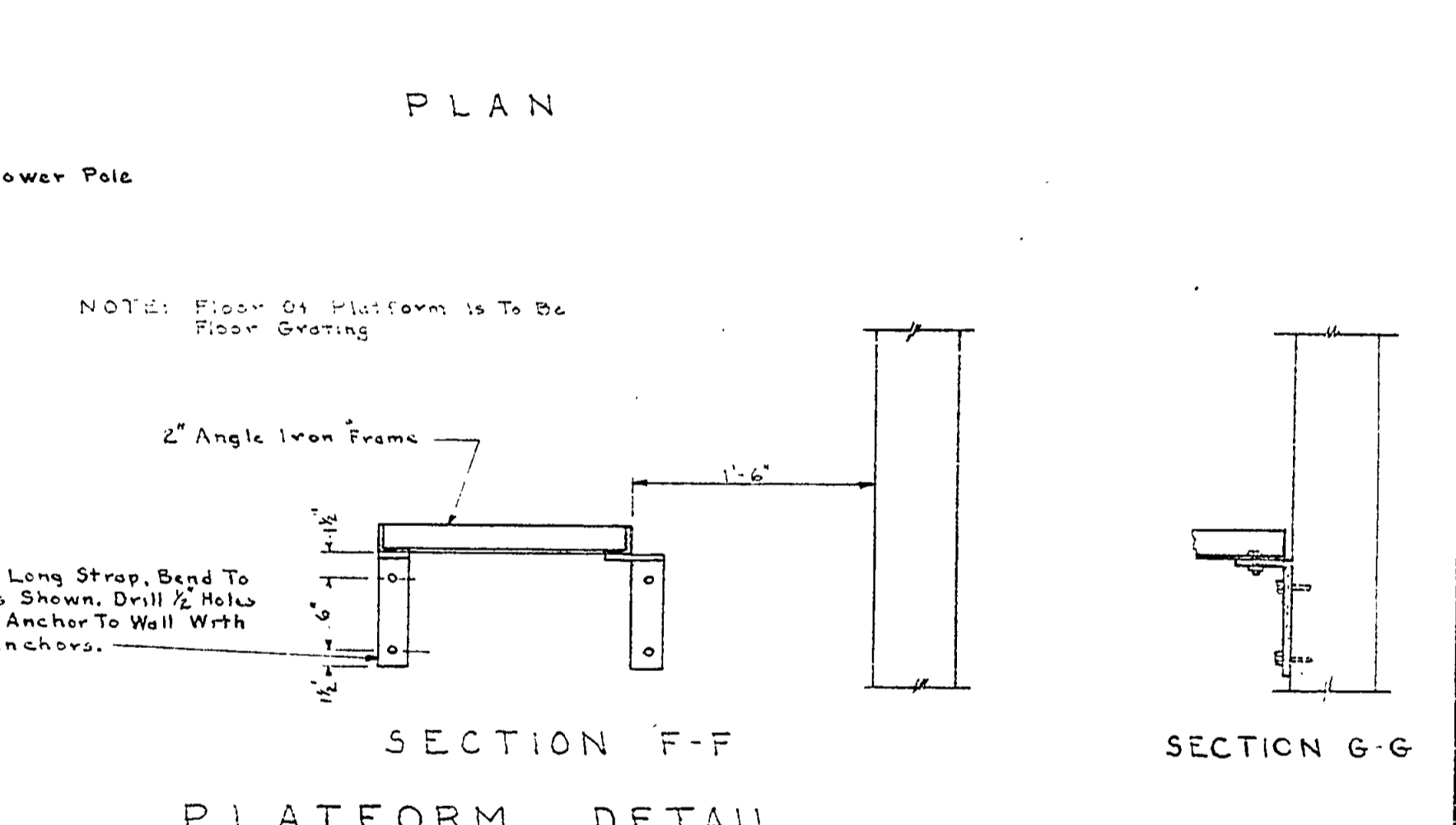
PLAN



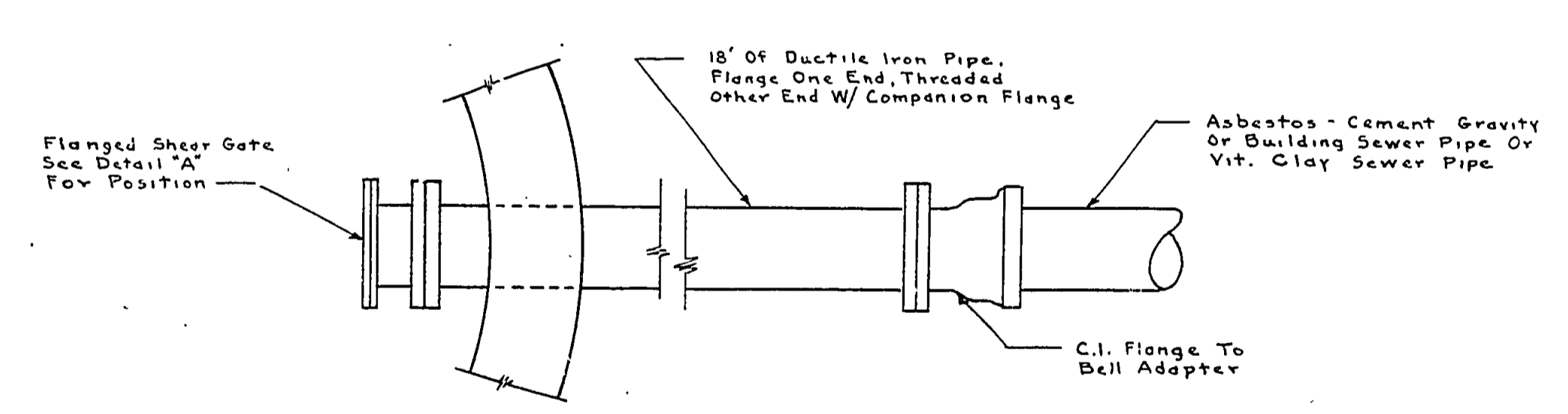
SECTION C-C WITH DRAIN IN SECTION



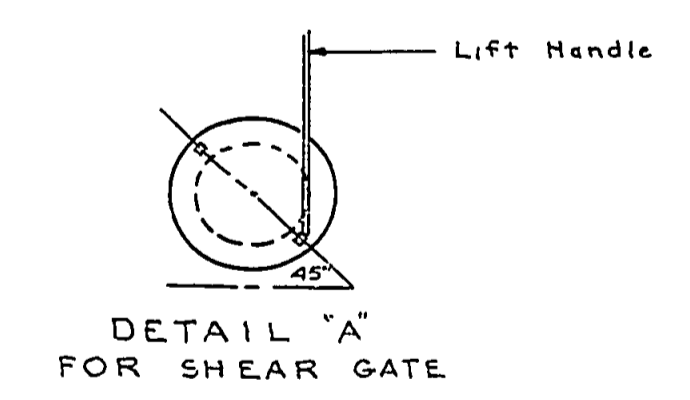
SECTION D-D



SECTION F-F PLATFORM DETAIL



DETAIL OF CONNECTION TO ASBESTOS-CEMENT SEWER PIPE Not To Scale



DETAIL A FOR SHEAR GATE

WET WELL AND PUMP STATION

MICHIGAN DEPARTMENT OF CONSERVATION PARKS AND RECREATION DIVISION

VAN RIDER STATE PARK CENTRAL SEWAGE DISPOSAL SYSTEM Scale 1"=1'-0"

SHEET NO. 4 OF 6 PLAN NO. E-104