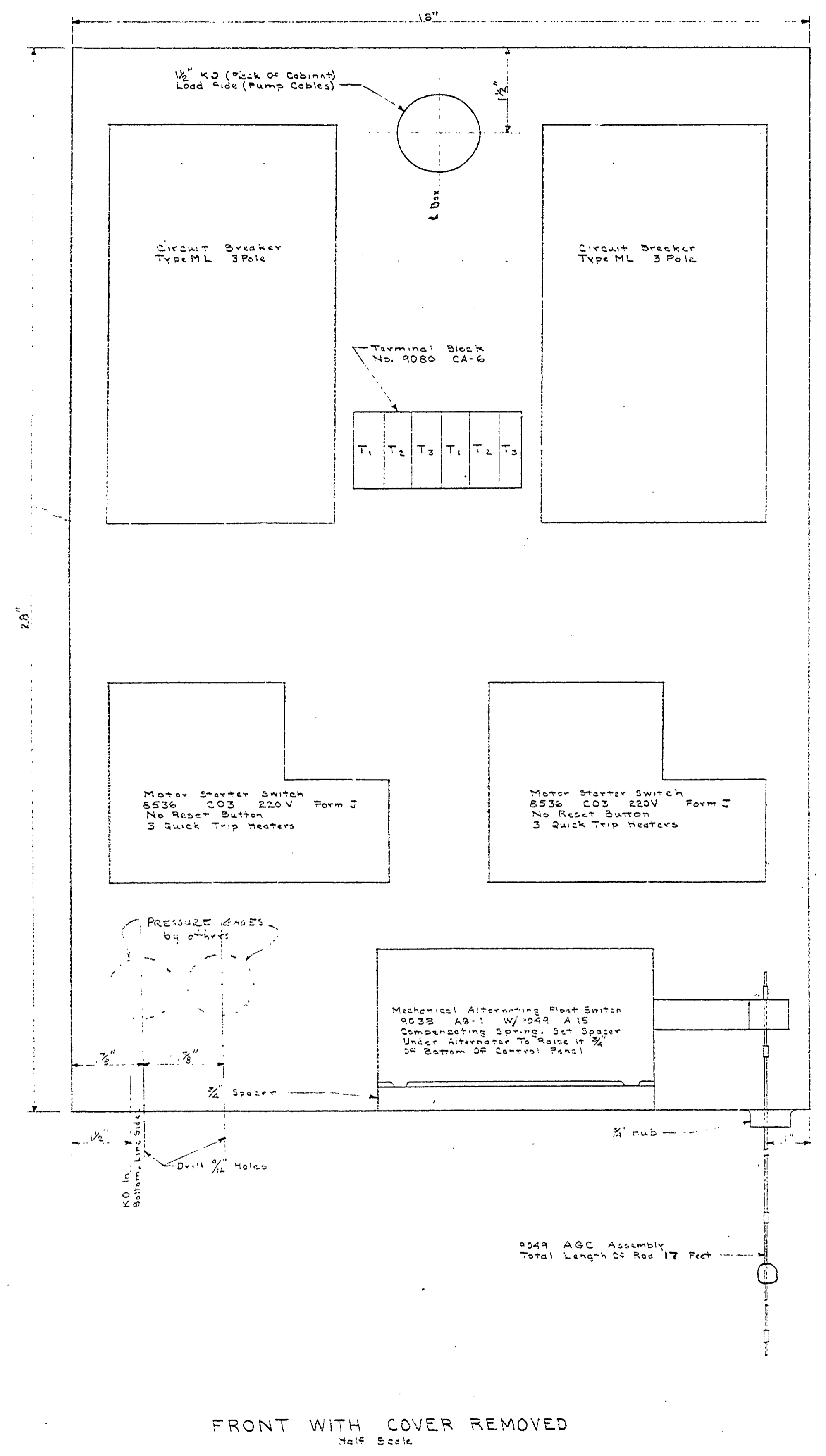
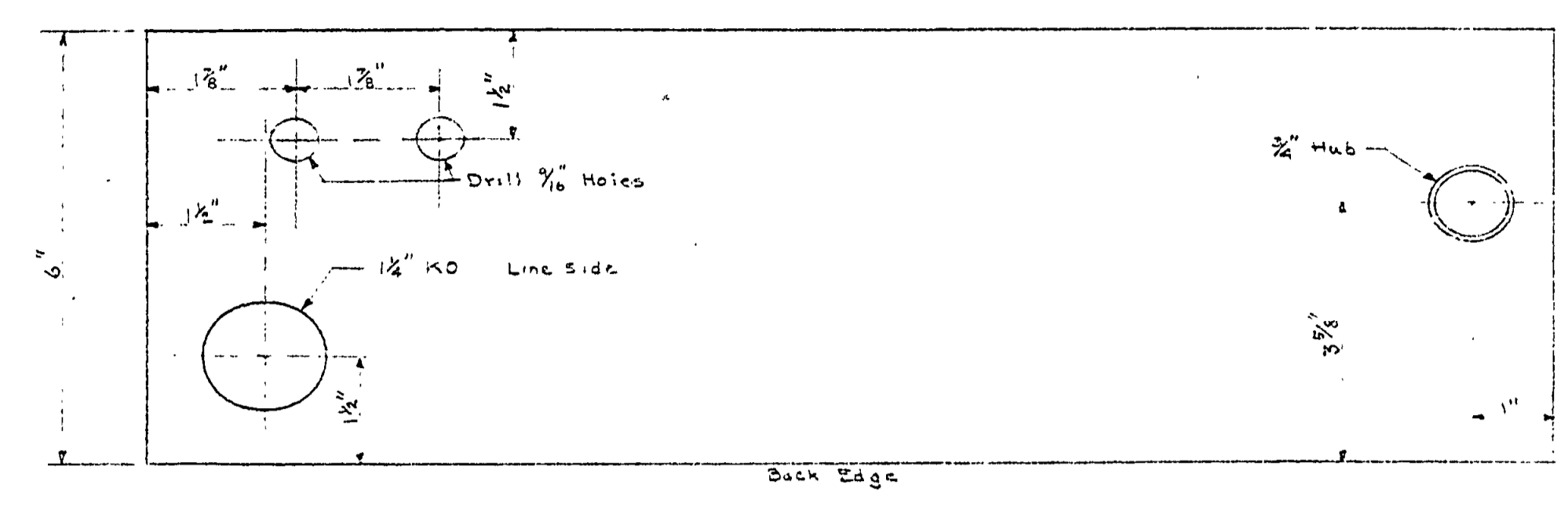


DESIGNED BY	DRAWN BY	CHECKED BY	DATE	REVIEWED	APPROVED	DATE	NO.	DATE	BY	REVISIONS	DATE	BY
B.H.G.	B.H.G.	B.H.G.	June 4, 62	ARCHITECTURAL	[Signature]	6-28-62	1			4		
			June 4, 62	ENGINEERING		6-28-62	2			5		
			June 4, 62	LANDSCAPE		7-5-62	3			6		

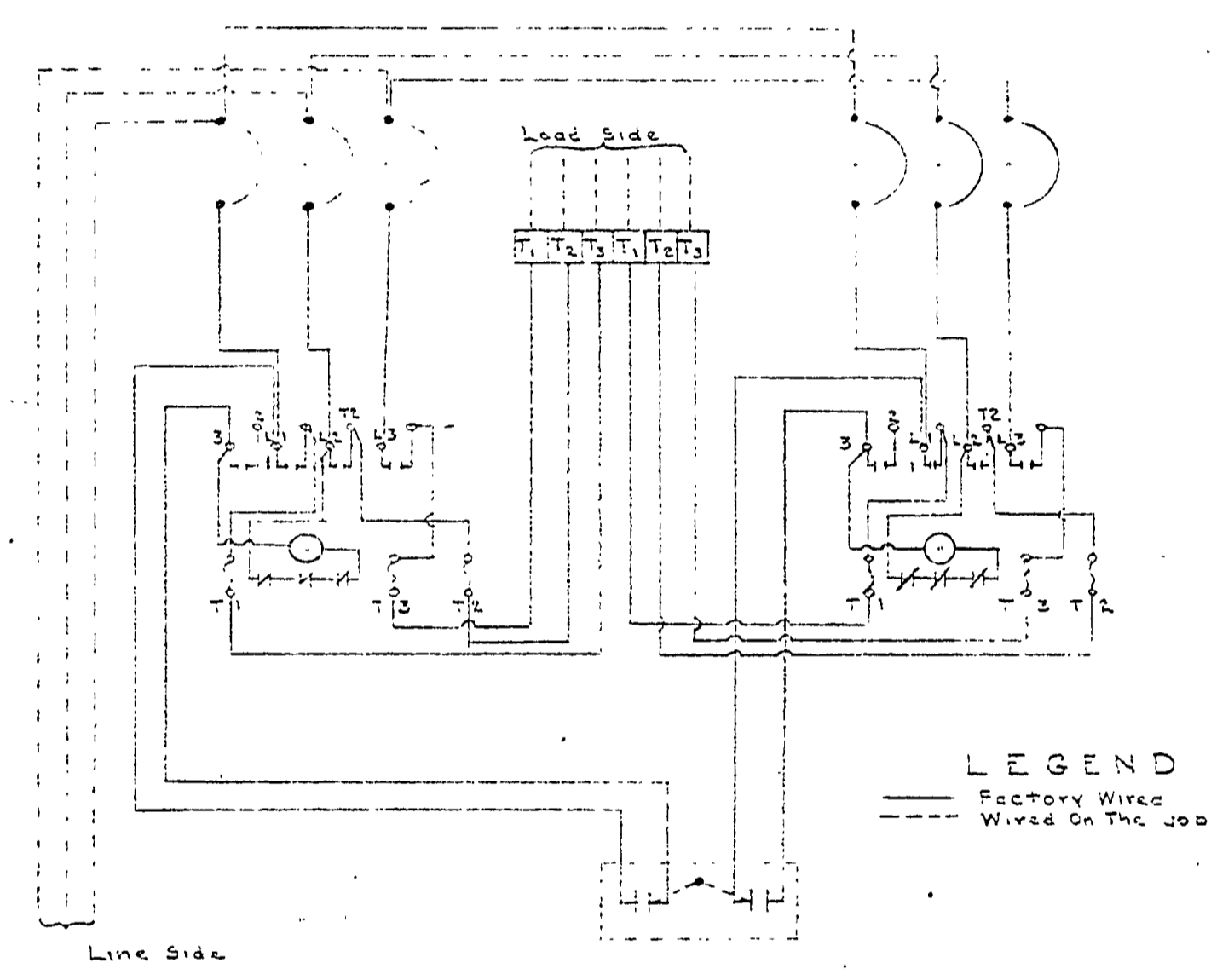


CONTROL FOR DUAL PUMPS

220 VOLT 3<sup>rd</sup> PUMP CONTROL PANEL

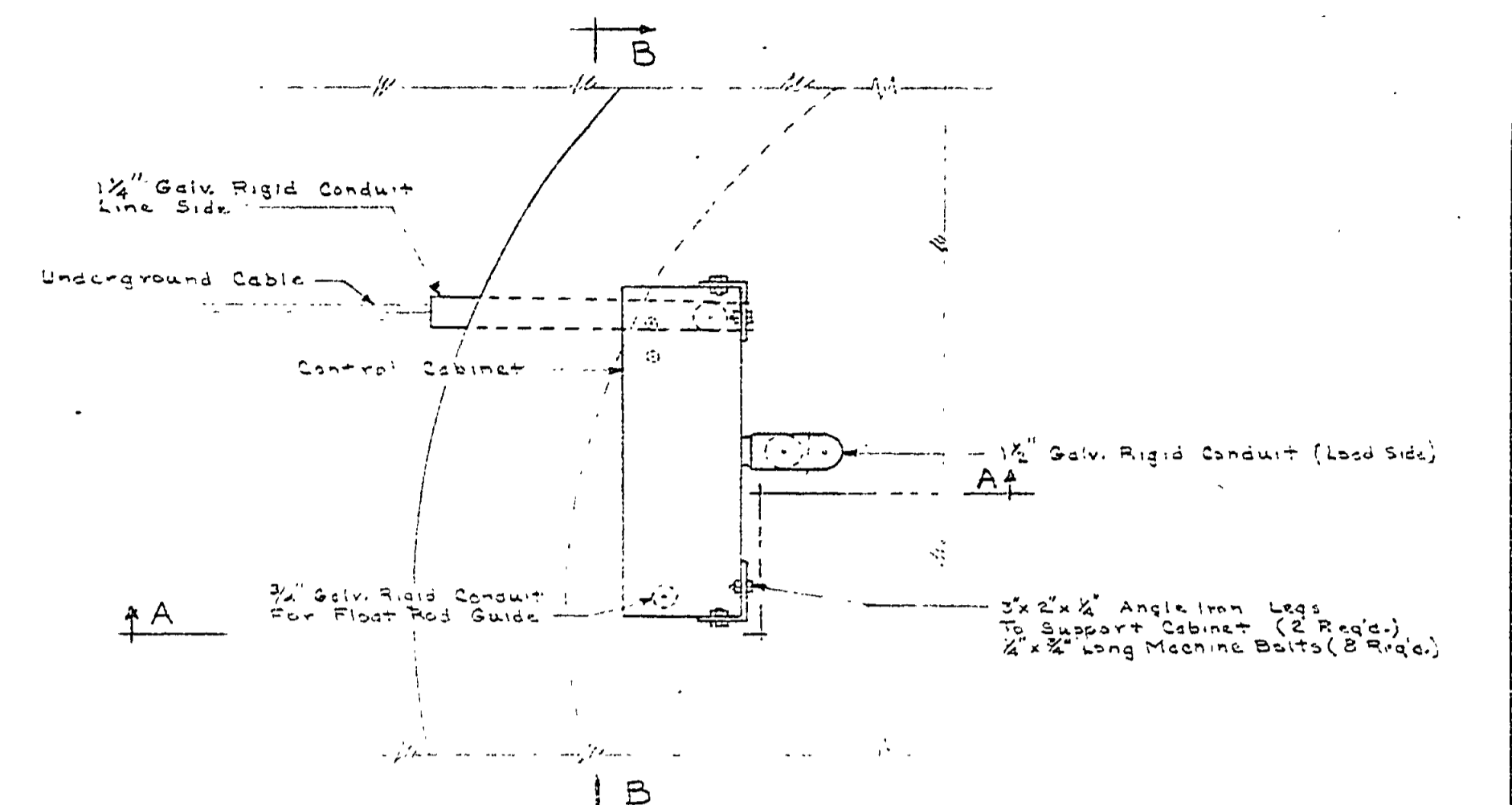


BOTTOM Half Scale

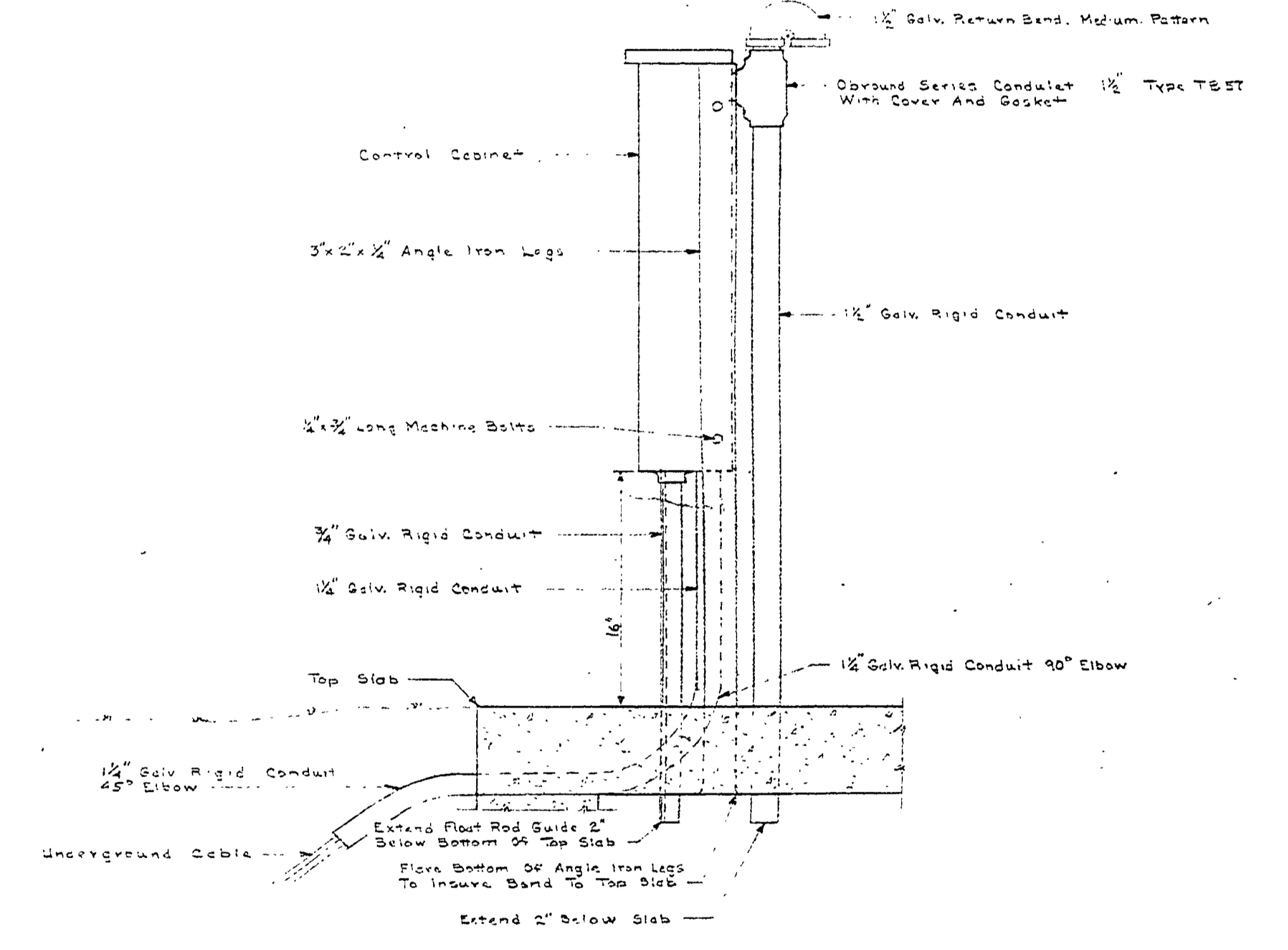


WIRING DIAGRAM Not To Scale

NOTES  
 All Numbers shown on Connection Points in Control Cabinet Are Standard. No Exceptions Will Be Accepted.  
 Component Parts in This Control Box Are To Be Capable of Handling Amps. To Handle Pump Motors Furnished.  
 Cabinet is To Be Weatherproof (See Specifications For Complete Description)

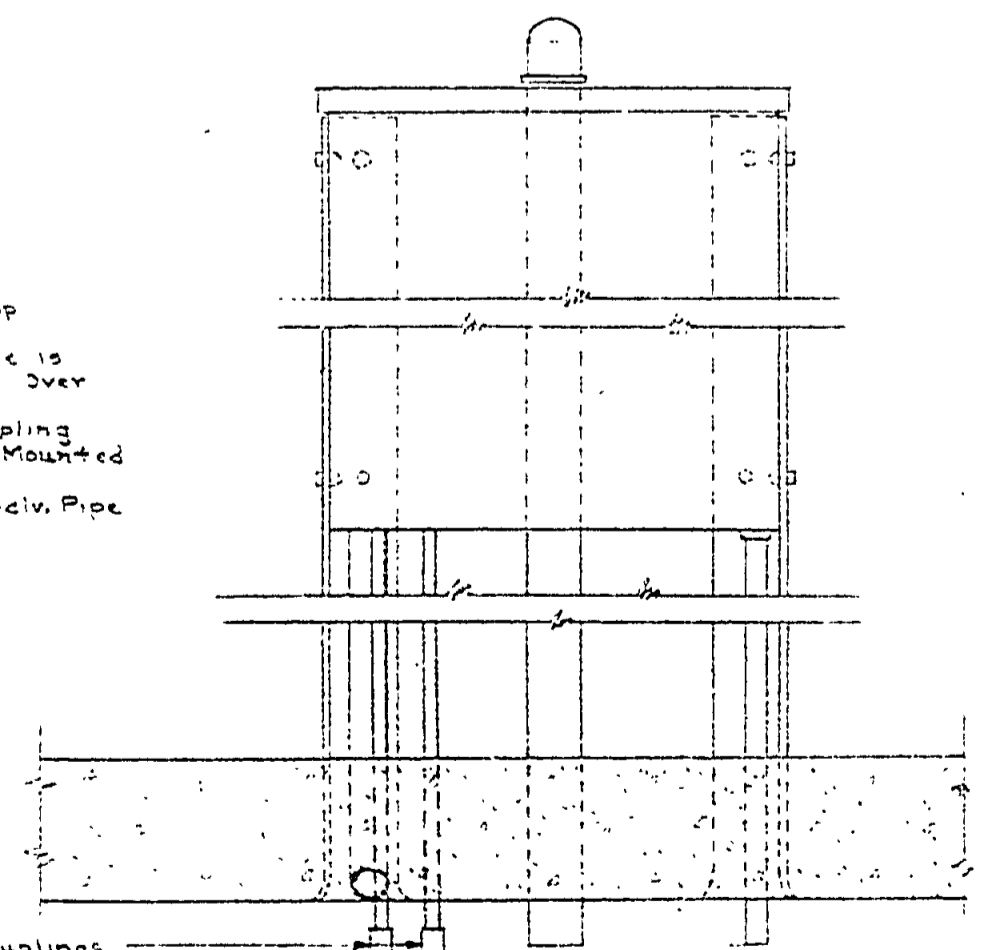


PLAN



SECTION A-A

NOTES  
 Control Pedestal shall be completely assembled and set in form before top slab is poured.  
 Be Sure 1/2\"/>



SECTION B-B

PANEL PEDESTAL INSTALLATION DETAILS Scale 1/2" = 1'-0"

MICHIGAN DEPARTMENT OF CONSERVATION PARKS AND RECREATION DIVISION

VAN RIPER STATE PARK CENTRAL SEWAGE DISPOSAL SYSTEM

SHEET NO. 5 OF 5

PLAN NO. E-104