

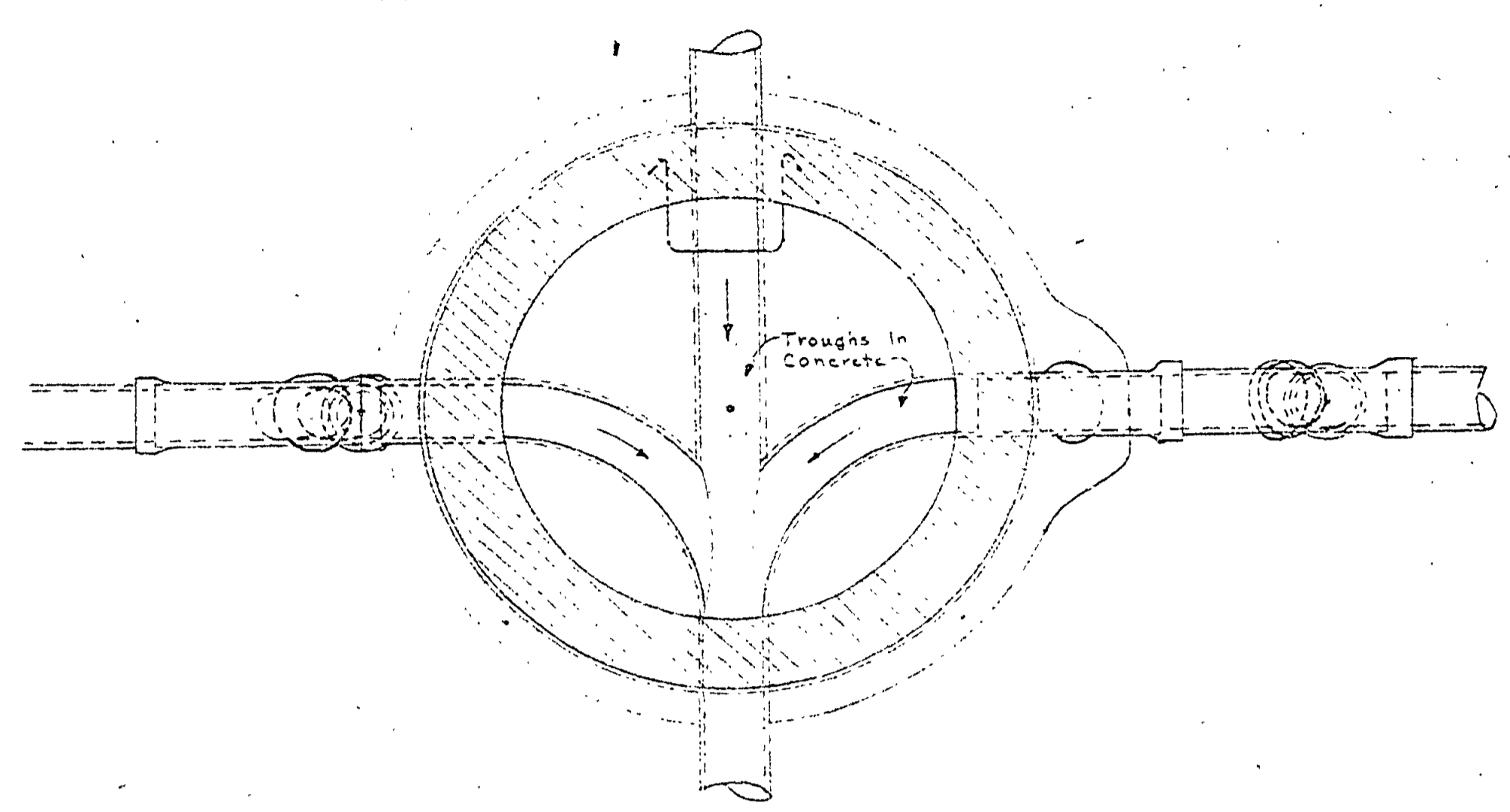
| | | | |
|-----------|-----|------|----|
| REVISIONS | NO. | DATE | BY |
| 4 | | | |
| 5 | | | |
| 6 | | | |

| | | |
|----------------------|---------|-------------|
| REVIEWED BY SECTIONS | DATE | APPROVED BY |
| ARCHITECTURAL | 6-16-62 | [Signature] |
| ENGINEERING | 6-28-62 | [Signature] |
| LANDSCAPE | 7-5-62 | [Signature] |

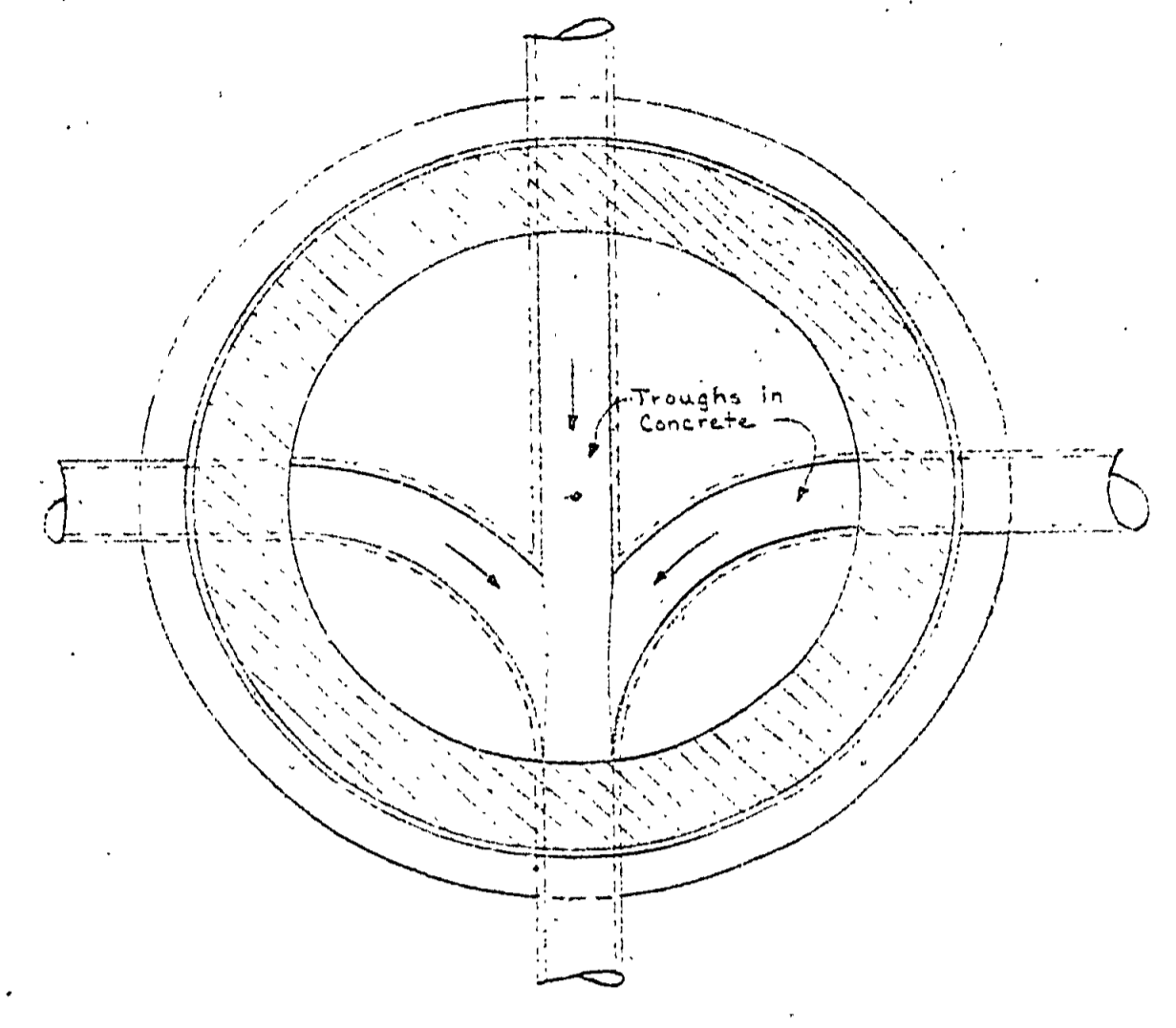
| | | |
|-------------|---------------|-------------|
| TRACED BY | DATE | APPROVED BY |
| J. Y. P. A. | June 15, 1962 | [Signature] |

| | | |
|-------------|--------|-------------|
| DESIGNED BY | DATE | APPROVED BY |
| B. H. G. | 7-5-62 | [Signature] |

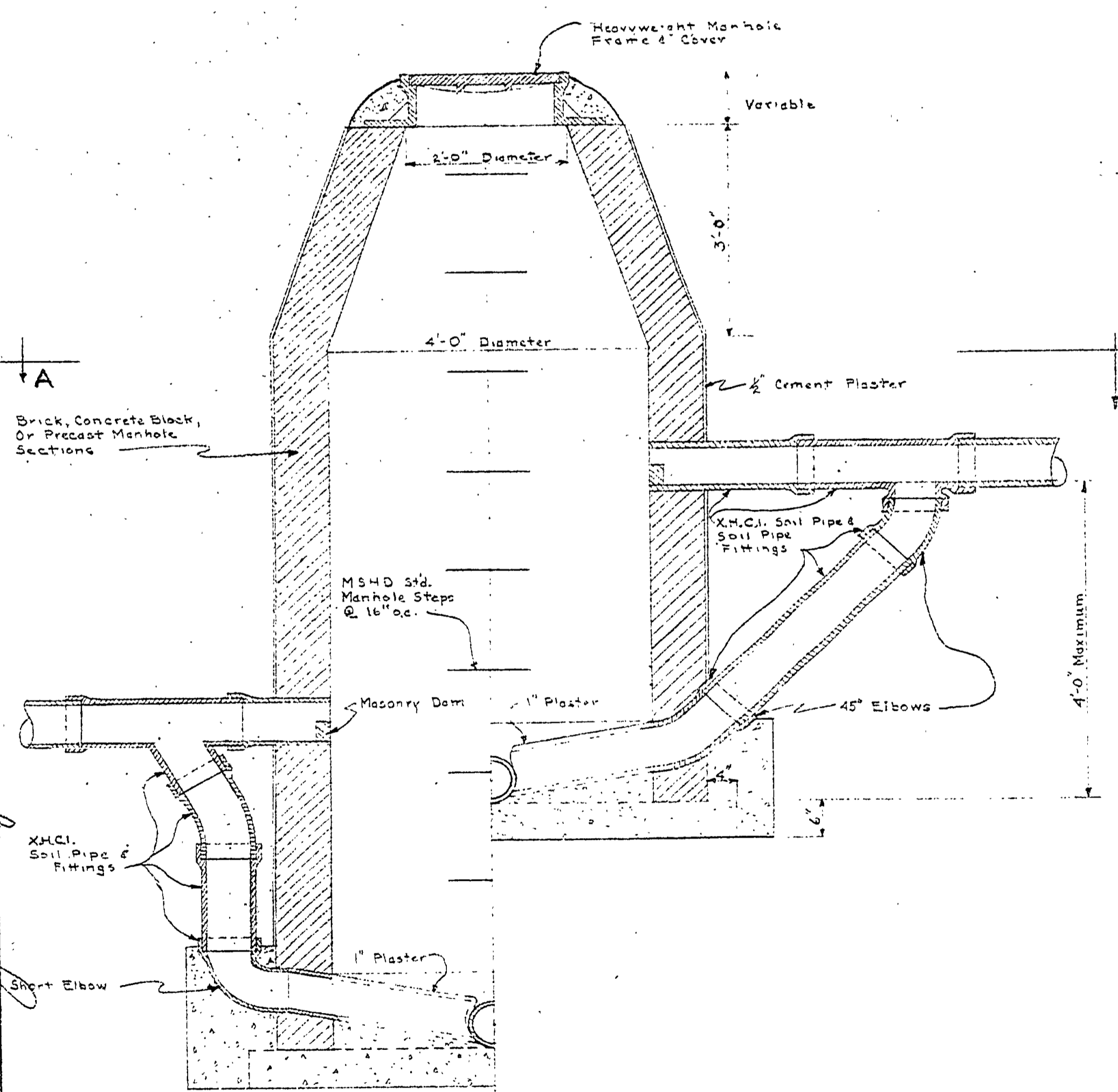
| | |
|-----------------------|--------|
| IN CHARGE | DATE |
| ASST. CHIEF IN CHARGE | 7-5-62 |



PLAN SECTION A-A

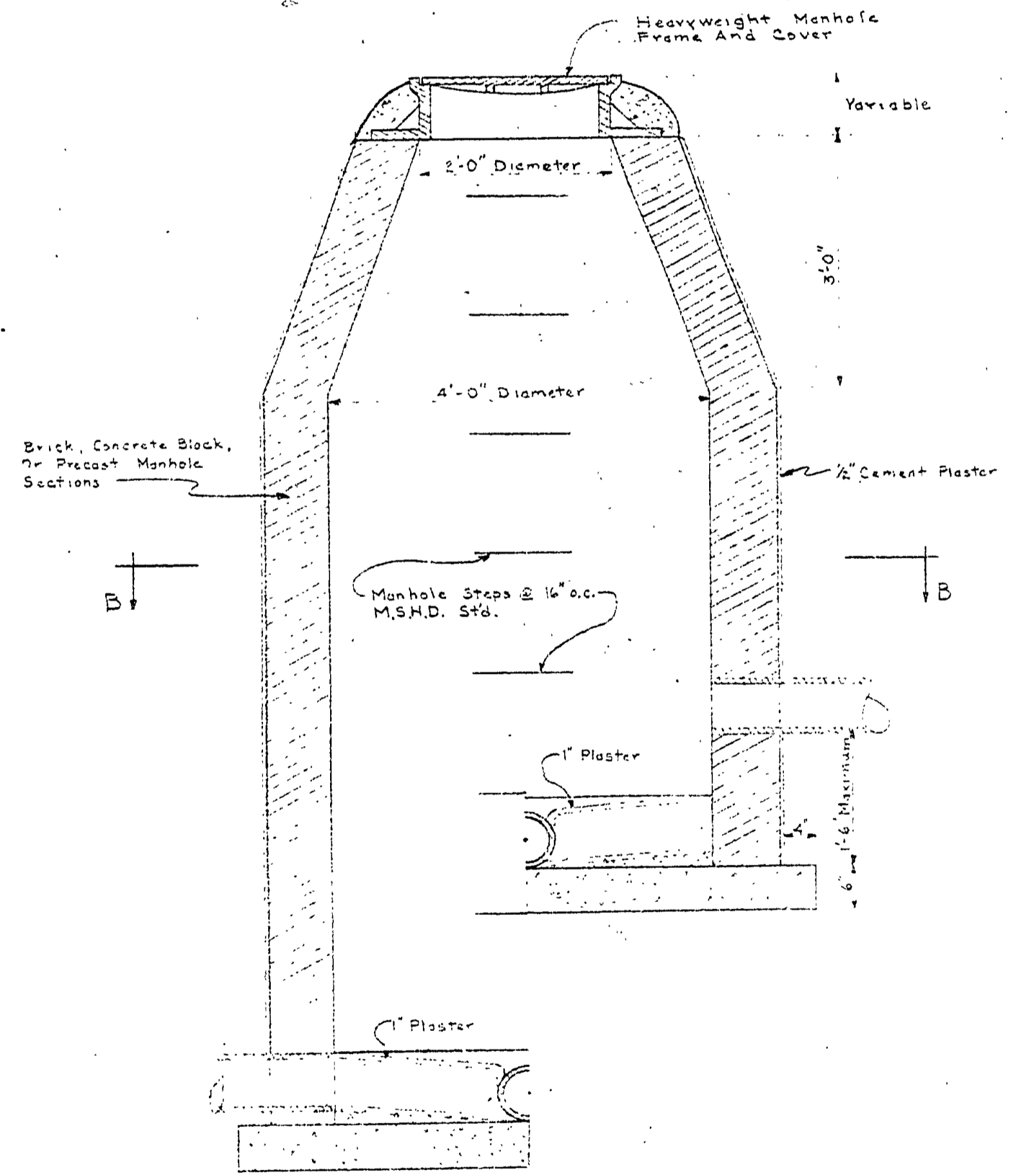


PLAN SECTION B-B

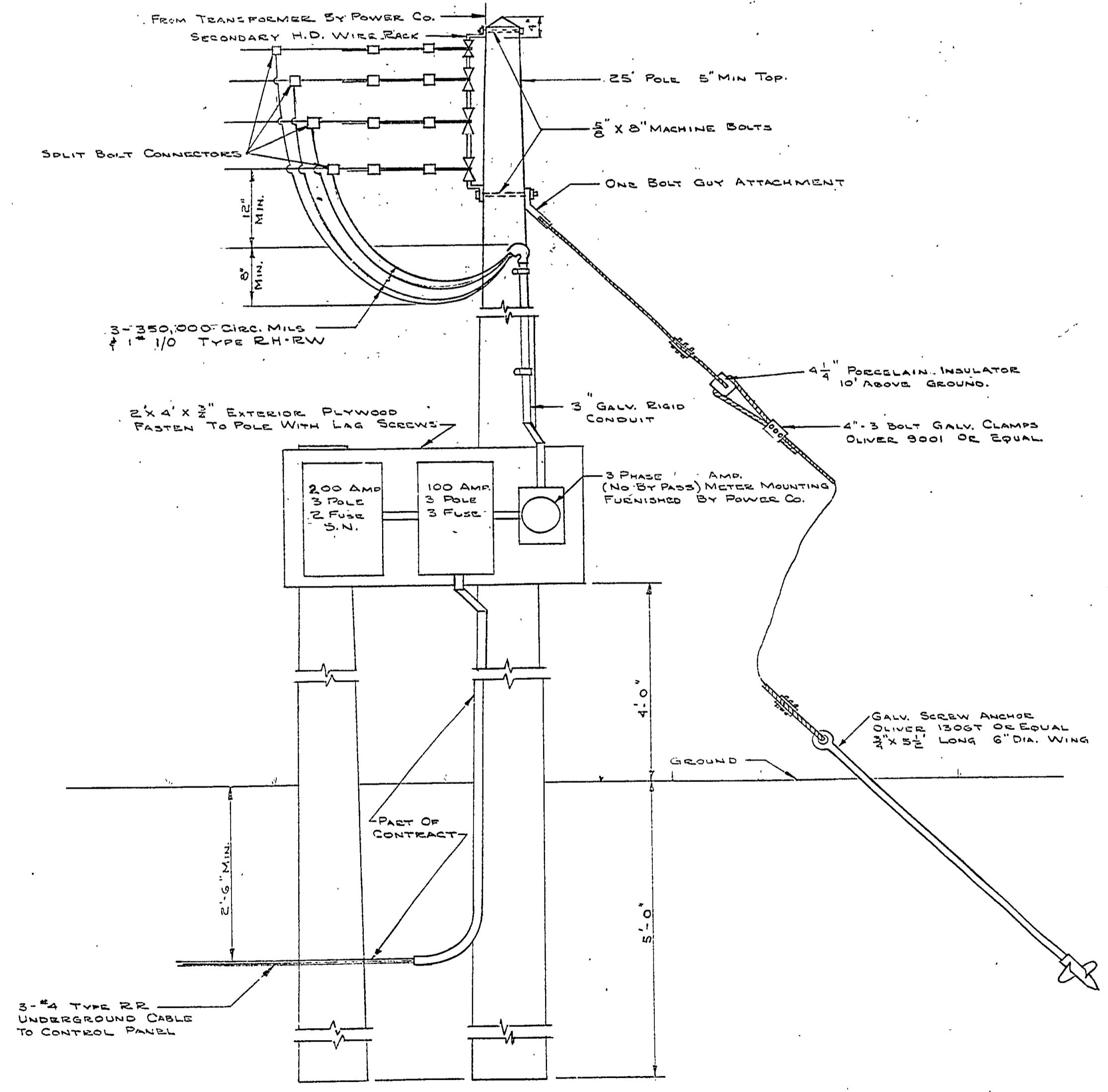


LONG DROP SHORT DROP

SECTION
DROP MANHOLE
Scale 3/4" = 1'-0"



SECTION
REGULAR MANHOLE
Scale 3/4" = 1'-0"



3 PHASE SWITCH & METER SERVICE
No Scale

NOT A PART OF CONTRACT - EXCEPT 3-#4 TYPE RR IN CONDUIT CONNECTION TO 100 AMP SWITCH.

MICHIGAN
DEPARTMENT OF CONSERVATION
PARKS AND RECREATION DIVISION

VAN RIEP STATE PARK
CENTRAL SEWAGE DISPOSAL
SYSTEM

SHEET NO. 6 OF 6
PLAN NO. E-104