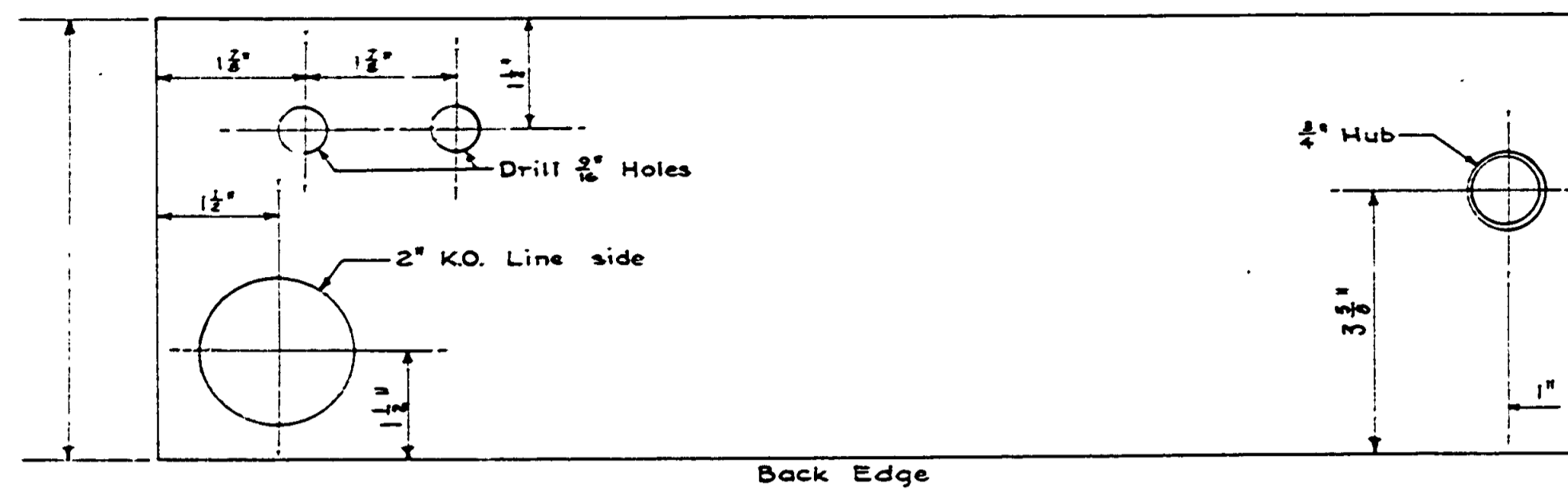
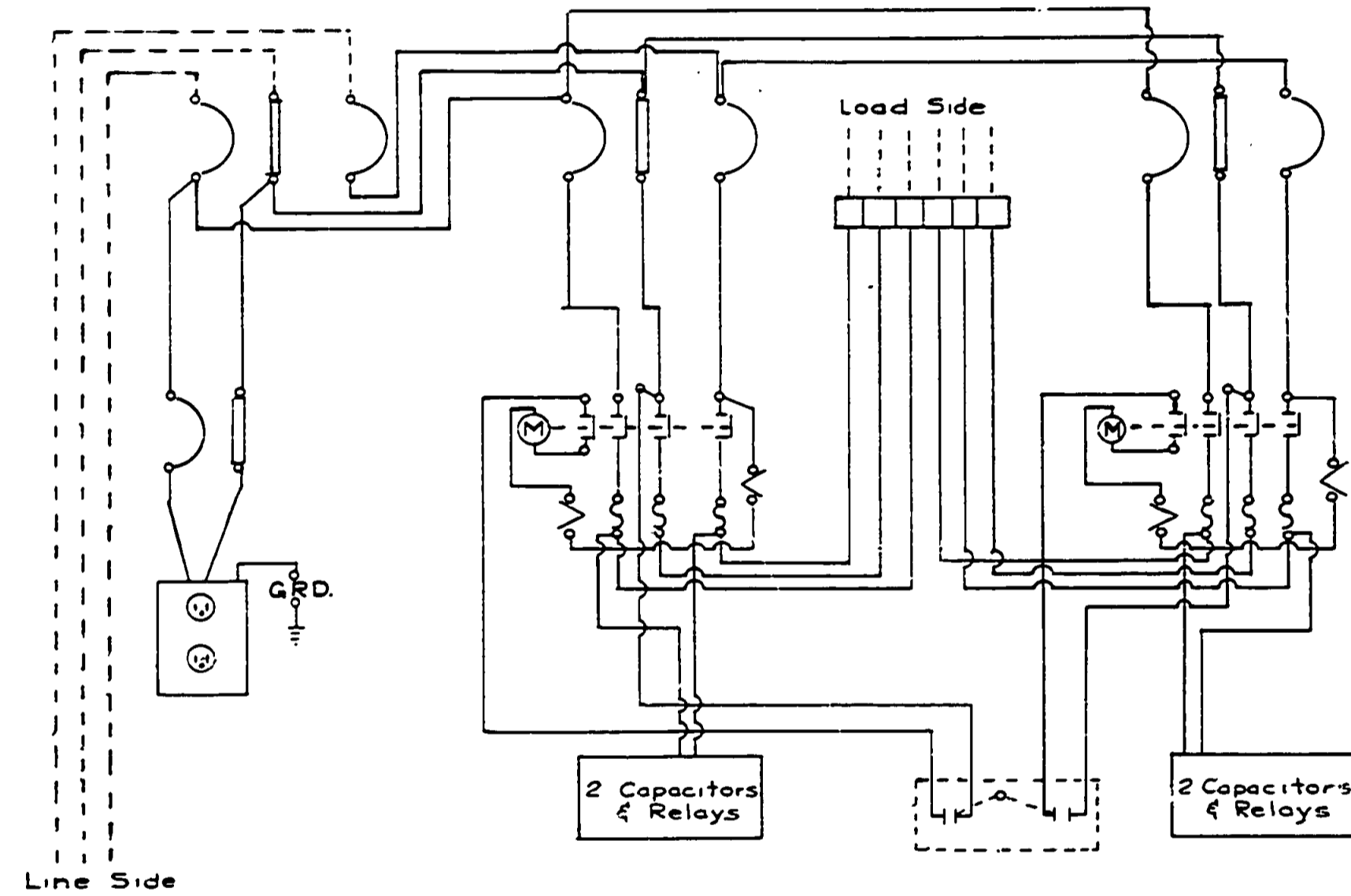


FRONT WITH COVER REMOVED
No Scale

CONTROL FOR DUAL PUMPS



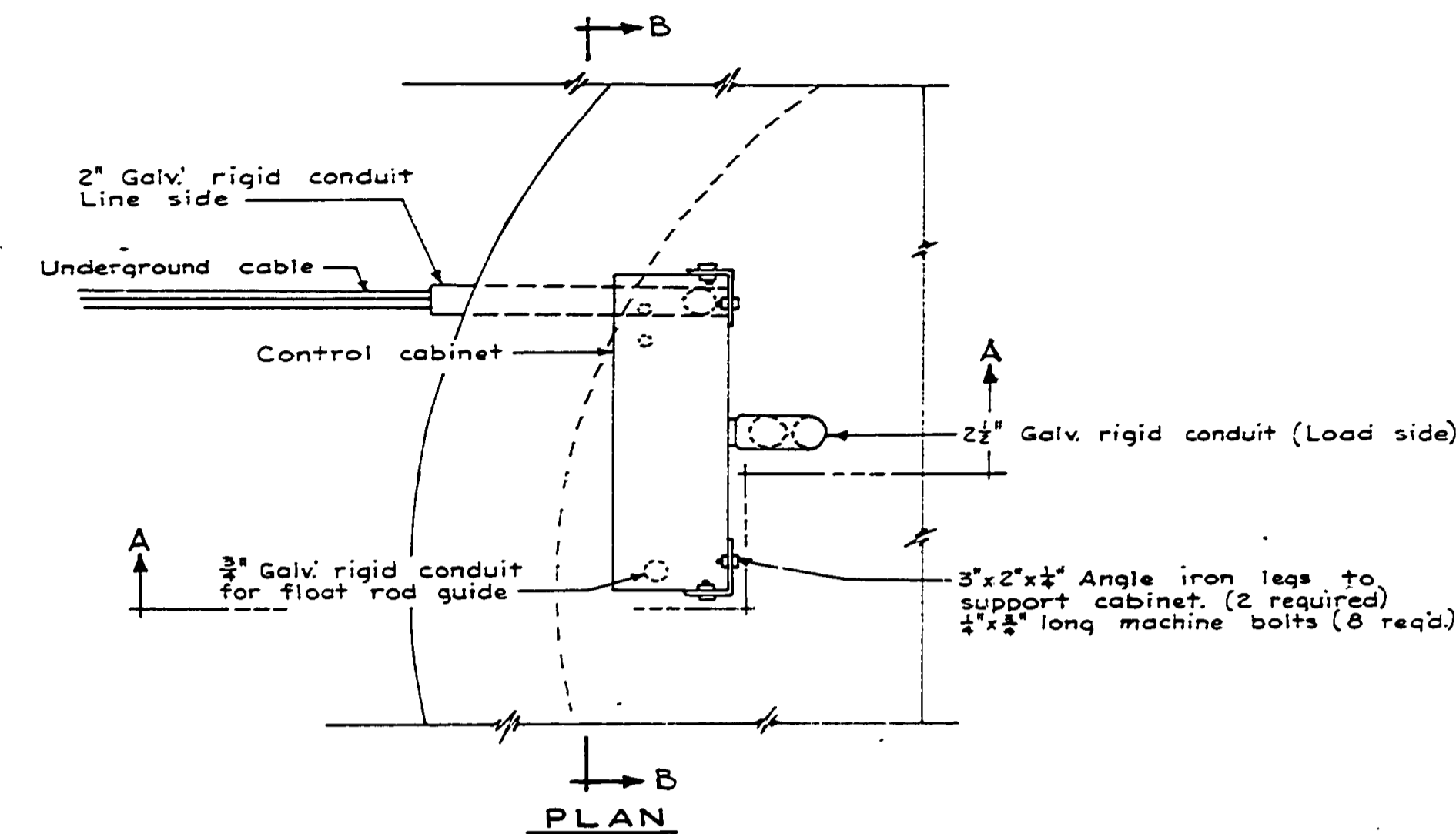
BOTTOM
No Scale



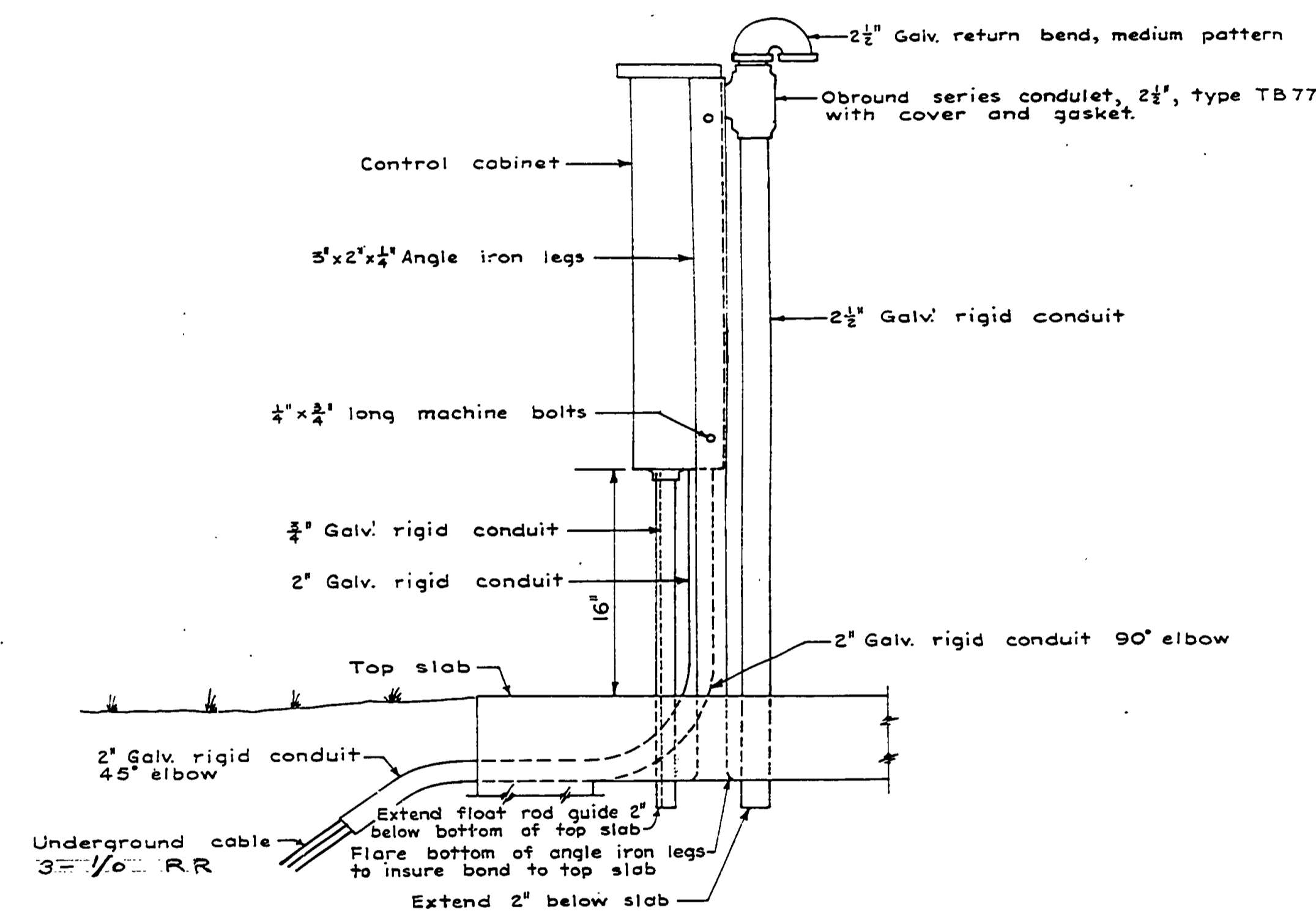
WIRING DIAGRAM
Not To Scale

NOTES
All numbers shown on component parts in control cabinet are Square D. No substitutes will be accepted. Component parts in this control box are to be of sufficient amperage to handle the pump motors furnished. Cabinet to be weatherproof. See Specifications for complete description.

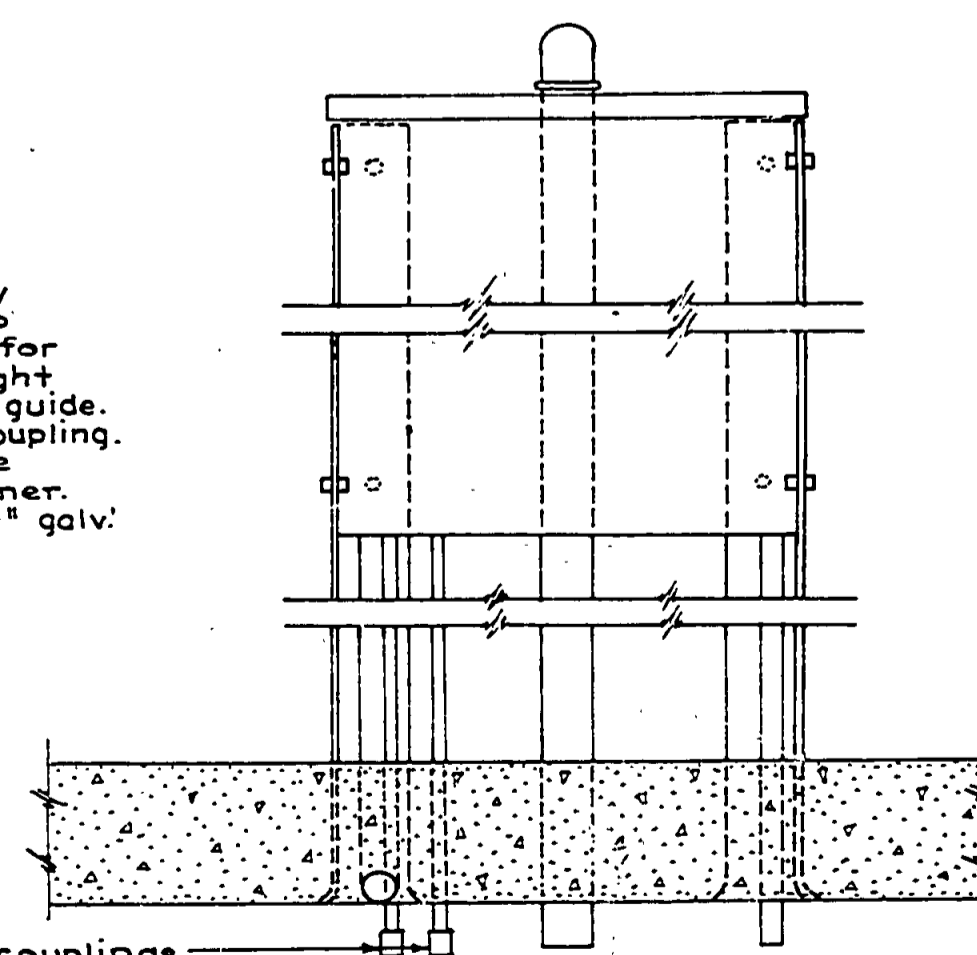
NOTES
Control pedestal should be completely assembled and set in form before top slab is poured. Be sure 1/2 inch conduit for float rod guide is plumb and straight and exactly centered over 8 inch float guide. Connect 1/2 inch copper tube to 1/2 inch galv. coupling. Pressure gauges with 3/4 inch face to be mounted in control cabinet by owner. Place 1/2 inch galv. couplings on top of 1/2 inch galv. pipe inside control panel.



PLAN



SECTION A-A



SECTION B-B

PANEL PEDESTAL INSTALLATION DETAILS

1/2 inch Galv. pipe & couplings

1/2 inch = 1'-0"

SURVEYED BY	DESIGNED BY	DRAWN BY	COTE	Sept. '65	NO.	DATE	BY	REVISIONS	NO.	DATE	BY	REVISIONS
	GALLOP				1.	6-67		Change to Single Phase	3.			
					2.				4.			

MICHIGAN
DEPARTMENT OF CONSERVATION

220 VOLT - 1 PHASE
PUMP CONTROL PANEL

SHEET NO. _____ OF _____
FOR PROJECT NO. PA-999-9872-976-019-C5

MUSKALLONGE LAKE
STATE PARK

SHEET 5 OF 5 PLAN NO E-104

PA. 108-5124-300-019-C5

SE-155A