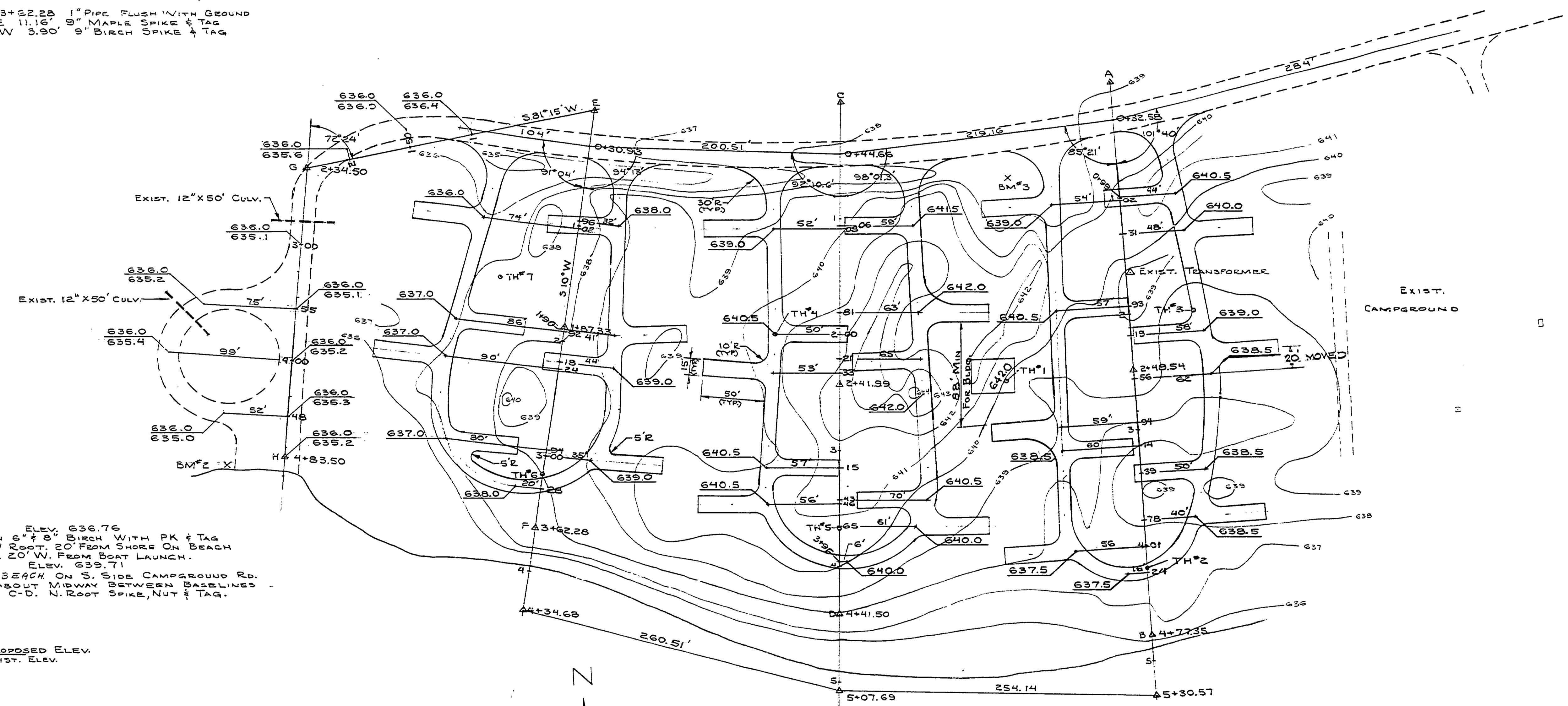
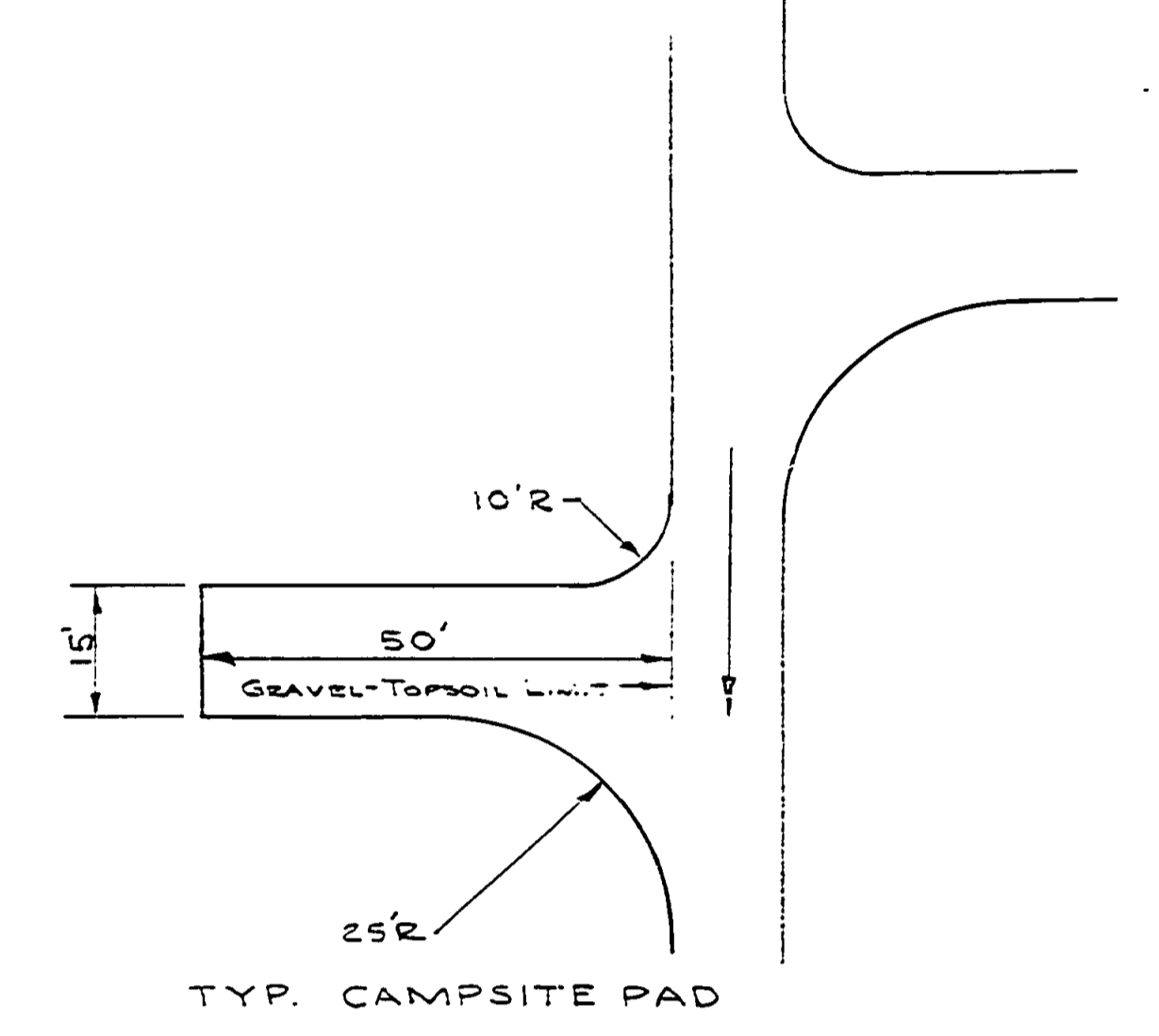
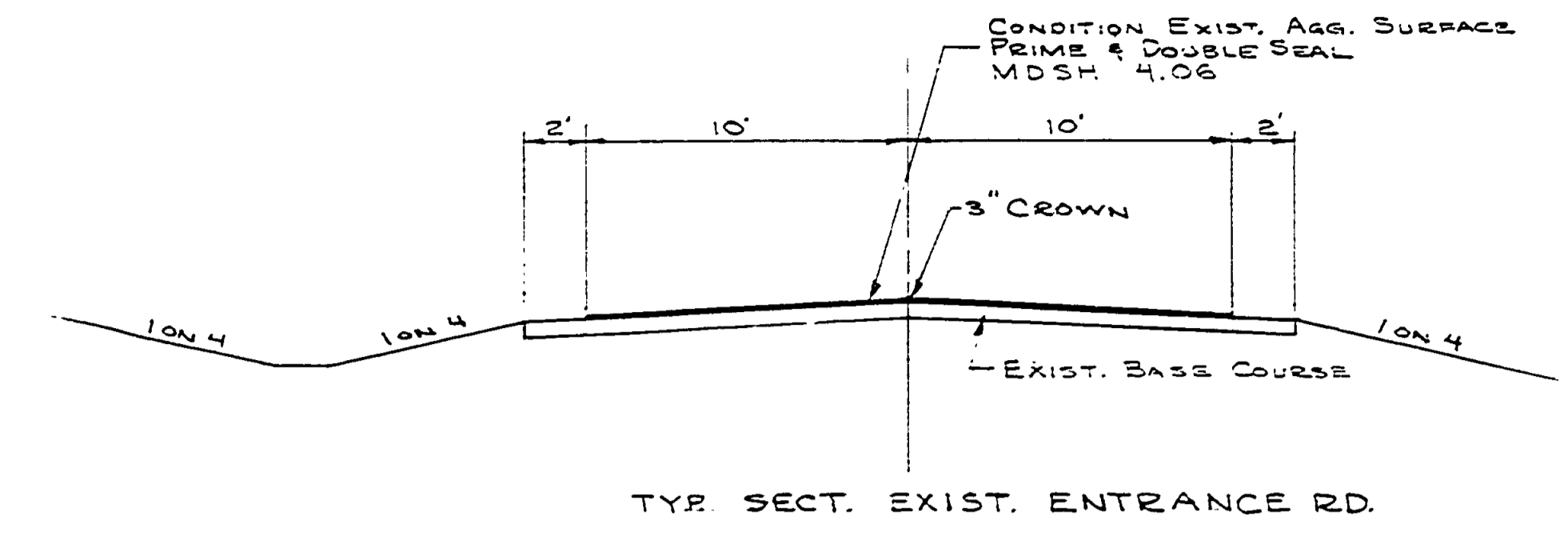
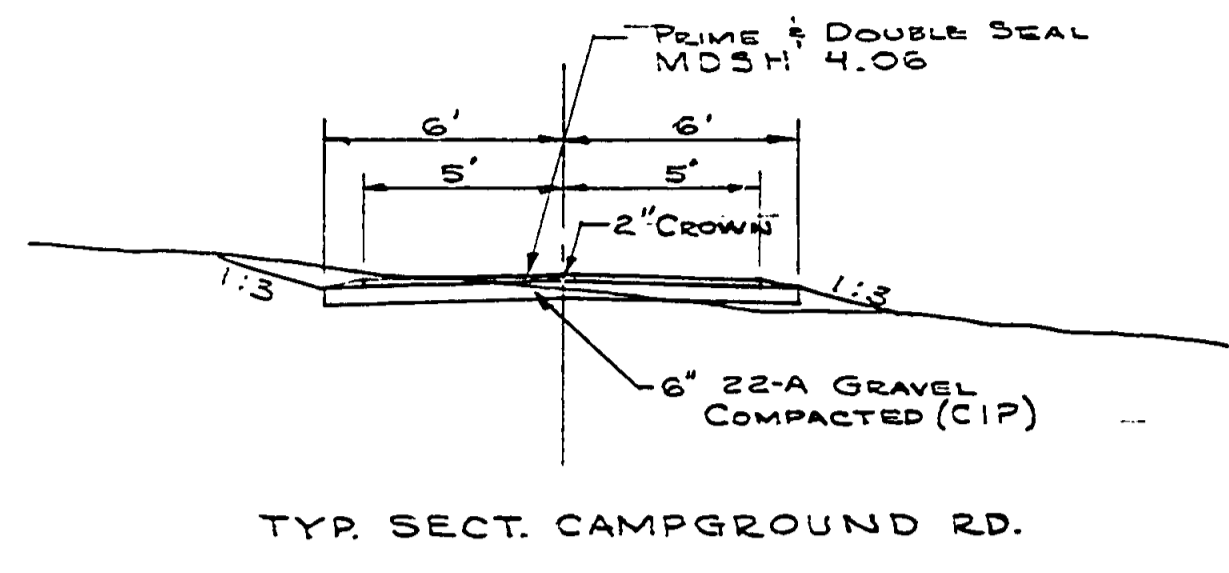


- WITNESSES**
- Pt. A 1" PIPE FLUSH WITH GROUND
N16°W 7.47' 5" MAPLE SPIKE & TAG
S61°W 10.21' 4" MAPLE SPIKE & TAG
 - POT 2+48.54 TACKED HUB
T78°E 3.79' 15" BEACH SPIKE & TAG
N30°W 26.35' 16" MAPLE SPIKE & TAG
 - Pt. B 4+77.35 3/4" PIPE FLUSH WITH GROUND
N95°E 15.19' 12" BIRCH SPIKE & TAG
S56°W 15.04' 12" BIRCH SPIKE & TAG
 - Pt. C 0+00 1" PIPE FLUSH WITH GROUND
S89°W 15.83' 10" BIRCH SPIKE & TAG
S47°E 9.24' 6" MAPLE SPIKE & TAG
 - POT 2+41.99 TACKED HUB
N33°W 16.63' 6" MAPLE SPIKE & TAG
N50°E 30.73' 14" MAPLE SPIKE & TAG
 - Pt. D 4+41.50 3/4" PIPE FLUSH WITH GROUND
N23°E 7.81' 8" BIRCH SPIKE & TAG
S59°E 7.22' 10" MAPLE SPIKE & TAG
 - Pt. E 0+00 1" PIPE FLUSH WITH GROUND
N62°W 10.02' 12" MAPLE SPIKE & TAG
N45°E 14.91' 11" BIRCH SPIKE & TAG
 - POT 1+87.33 TACKED HUB
NORTH 14.19' 10" MAPLE SPIKE & TAG
S63°E 18.75' 11" MAPLE SPIKE & TAG
 - Pt. F 3+22.28 1" PIPE FLUSH WITH GROUND
N079°E 11.16' 9" MAPLE SPIKE & TAG
N55°W 3.90' 9" BIRCH SPIKE & TAG



BM#2 ELEV. 636.76
A TWIN 6" & 8" BIRCH WITH PK & TAG
IN NW ROOT, 20' FROM SHORE ON BEACH
RIDGE, 20' W. FROM BOAT LAUNCH.
BM#3 ELEV. 639.71
A 18" BEACH ON S. SIDE CAMPGROUND RD.
AND ABOUT MIDWAY BETWEEN BASELINES
A-B & C-D. N. ROOT SPIKE, NUT & TAG.

PROPOSED ELEV.
EXIST. ELEV.

CAMPSITE PAD LOCATIONS MAY BE ADJUSTED
IN THE FIELD TO SAVE DESIRABLE TREES.
PADS TO BE 60/40 GRAVEL TOPSOIL MIX, 4" DEEP.
SLOPE TO DRAIN.
FERTILIZE, SEED & MULCH PADS & ALL
DISTURBED AREAS.

- TEST HOLE**
- #1 BASELINE A-B STA. 2+50, 100' RT.
0 - 3.7' MED. SAND
3.7 - 4.5' GRAVEL
 - #2 BASELINE A-B STA. 4+20.
0.0 - 2.5' SAND & GRAVEL
 - #3 BASELINE A-B STA. 2+00, 51' L.
0.0 - 2.5' COARSE SAND
 - #4 BASELINE C-D STA. 2+00, 50' R.
0.0 - 1.0' COARSE SAND
1.0 - 1.5' GRAVEL
 - #5 BASELINE C-D STA. 3+66.
0.0 - 0.9' SAND
0.9 - 1.9' GRAVEL
 - #6 BASELINE E-F STA. 3+16.
0.0 - 2.2' COARSE SAND & GRAVEL
 - #7 BASELINE E-F STA. 1+50, 55' R.
0.0 - 2.5' COARSE SAND & GRAVEL

NOTE: CONTRACTOR SHALL NOTIFY ALL
UTILITY COMPANIES CONCERNED ONE
WEEK BEFORE STARTING CONSTRUCTION.

RE-~~XXXXXXXXXX~~

SURVEYED BY	DRAWN BY J.Y.P.M.A.	2-74	NO. DATE BY	REVISIONS	NO. DATE BY	REVISIONS	MICHIGAN DEPARTMENT OF NATURAL RESOURCES	CAMPGROUND LAYOUT	MUSKALLONGE LAKE STATE PARK	PROJECT NO. 24-1473
DESIGNED BY R.H.MERRILL	CHECKED BY	2-74	1. 5-23-74 J.Y.	BOAT LAUNCH ADDED. C.G. ROAD SECT. REV.	3. 7/78 DDP	MOVED CAMPSITE PAD ELEV. 642.0			CAMPGROUND DEVELOPMENT	SHEET 2 OF 6
DATE	DATE	DATE	2.		4.					PLAN NO. E-106