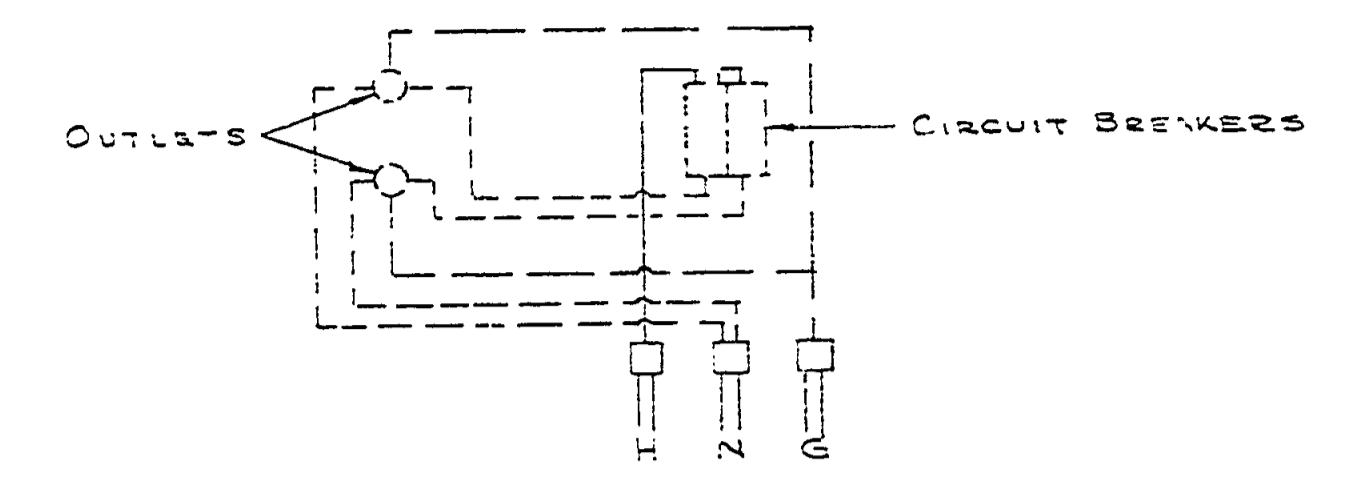
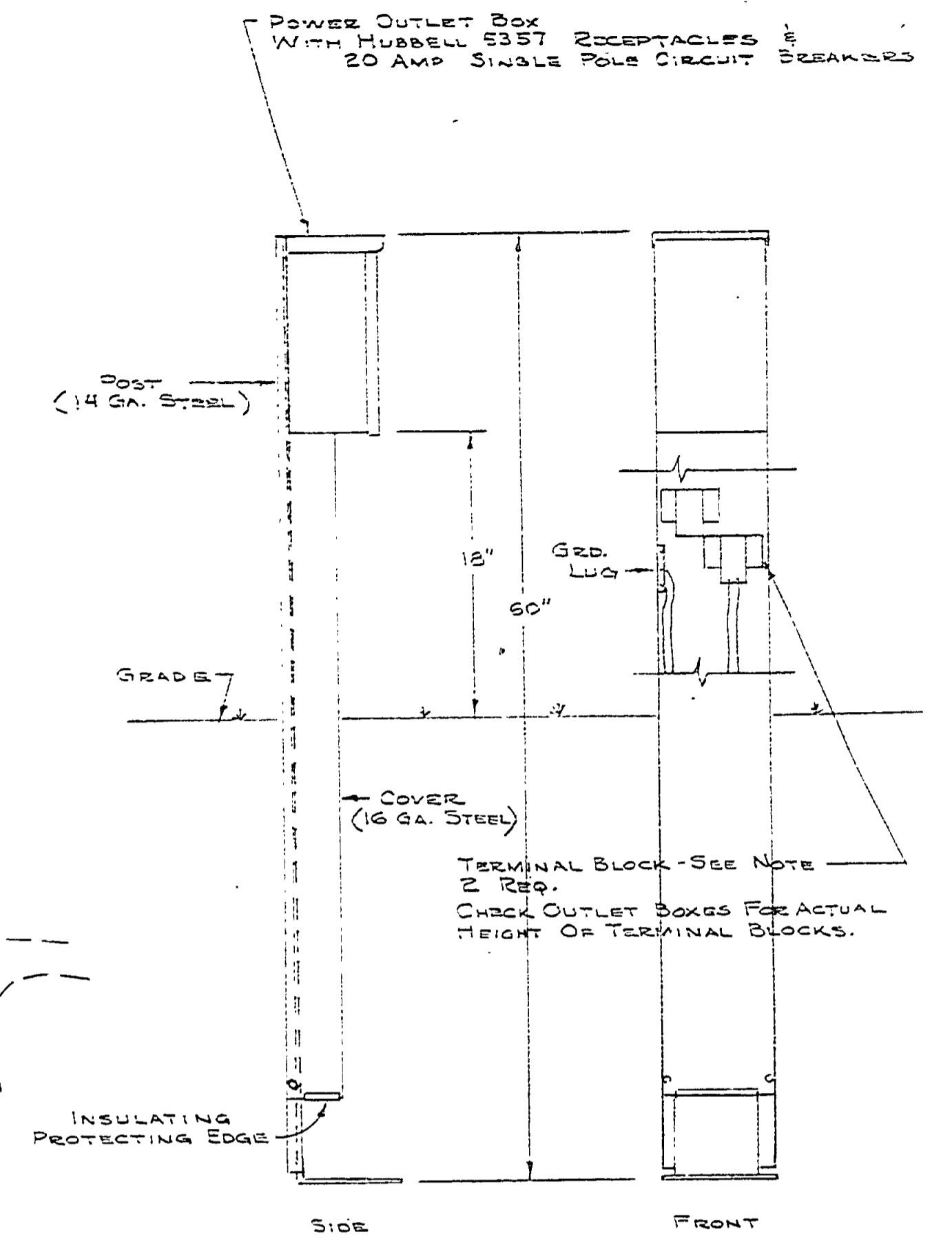


WIRING DIAGRAM
FOR 1 OUTLET BOX

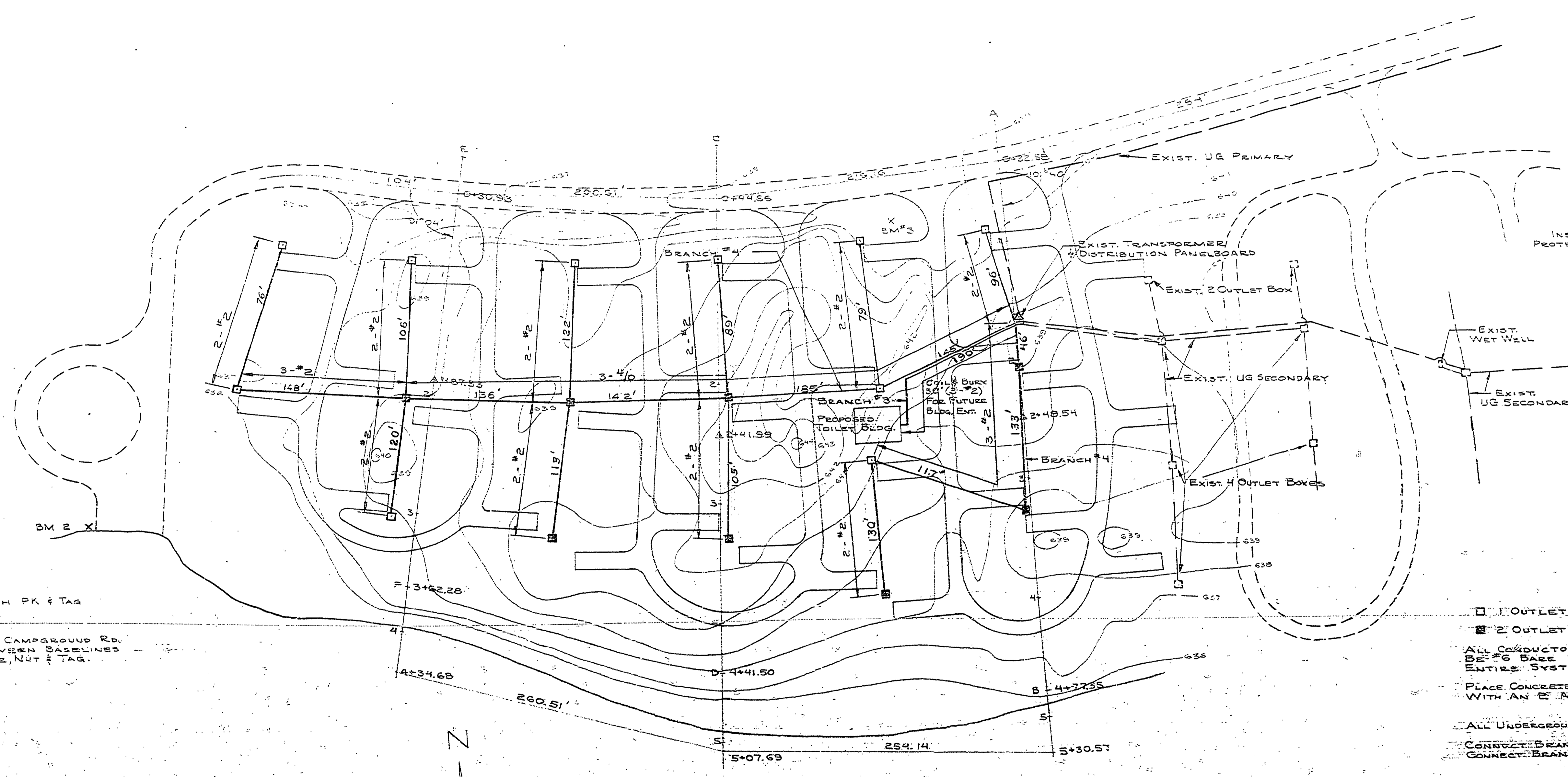


WIRING DIAGRAM
FOR 2 OUTLET BOX



MOUNTING POST
WITH OUTLET BOX

THESE POSTS ARE DESIGNED TO PERMIT LOOPING OF CABLE FROM ONE UNIT TO THE NEXT. SPlicing TO BE DONE IN POST. LUGS ARE PROVIDED TO RECEIVE UP TO 4/0 WIRE. GROUND #6 BARE TO EQUIPMENT GROUND PROVIDED ON POST.



BM #2 ELEV. 636.76
A TWIN 6" x 8" BIRCH WITH PK & TAG
IN NW ROOT

BM #3 ELEV. 639.71
A 19" MAPLE ON S. SIDE CAMPGROUND RD.
AND ABOUT MIDWAY BETWEEN BASELINES
A-B & C-D. N. ROOT SPIKE, NUT & TAG.

- 1 OUTLET BOX
- 2 OUTLET BOX
- ALL CONDUCTORS WILL BE ALUMINUM. GROUND WILL BE #6 BARE STRANDED COPPER WIRE THROUGHOUT ENTIRE SYSTEM, EXCEPT TO TOILET BLDG.
- PLACE CONCRETE MARKERS (4" DIA. X 24" LONG) MARKED WITH AN "E" AT ALL UNMARKED CHANGES IN ALIGNMENT.
- ALL UNDERGROUND SECONDARY WILL HAVE 30" MIN. DEPTH
- CONNECT BRANCH #3 TO EXIST. 70 AMP. BREAKER
- CONNECT BRANCH #4 TO EXIST. 100 AMP. BREAKER

SURVEYED BY		DRAWN BY J. YPMA		NO. DATE BY		REVISIONS		NO. DATE BY		REVISIONS		MICHIGAN DEPARTMENT OF NATURAL RESOURCES		ELECTRICAL DISTRIBUTION SYSTEM		MUSKALONGE LAKE STATE PARK		PROJECT NO. 64-1475	
DESIGNED BY R. H. MERRILL		CHECKED BY		DATE 2-15-74		BY BOX LAUNCH ADDED		DATE 4-15-76		BY WNSR		SHEET TITLE		CAMPGROUND DEVELOPMENT PROJECT		SHEET 3 OF 6		PLAN NO. E-106	