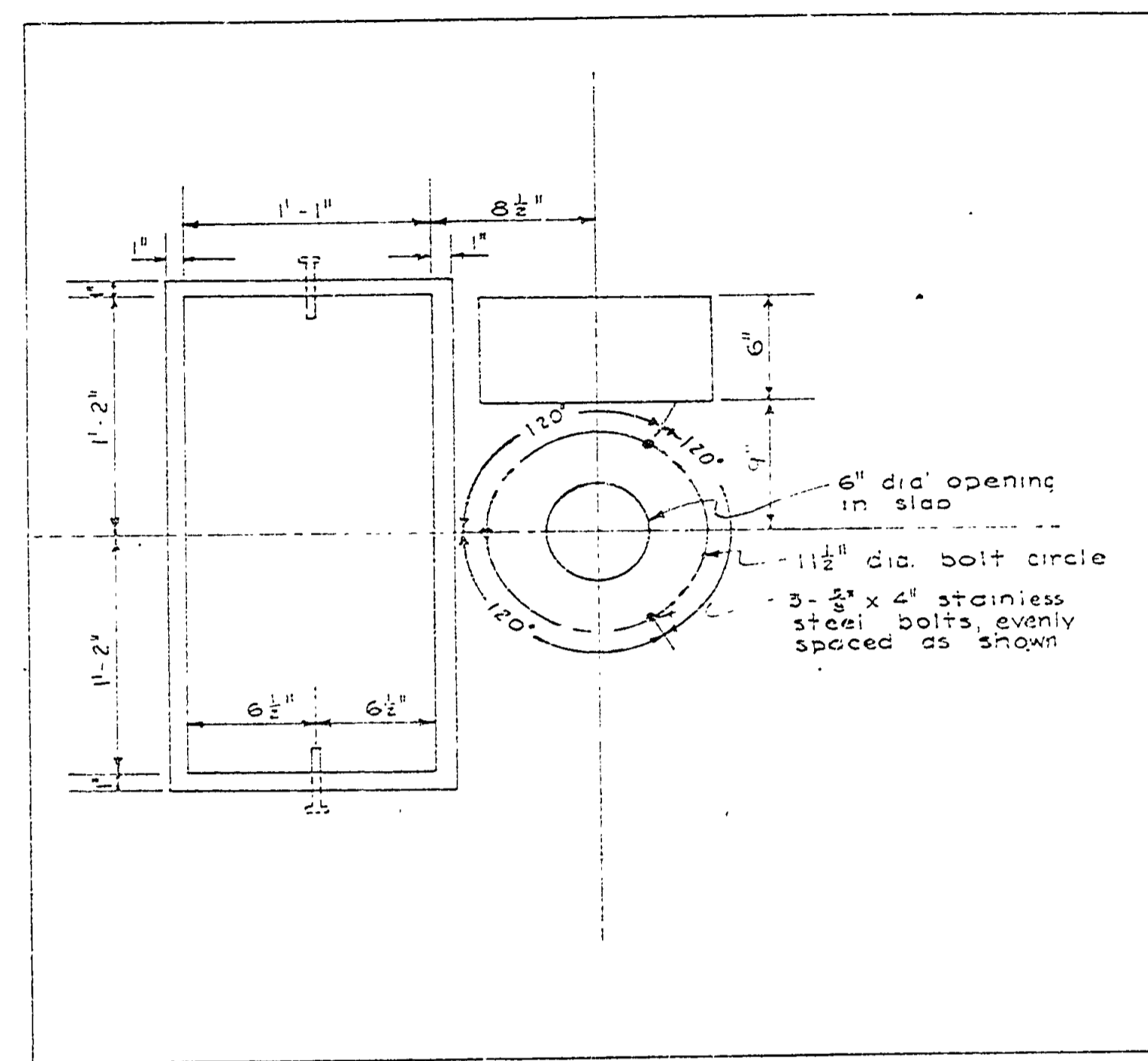
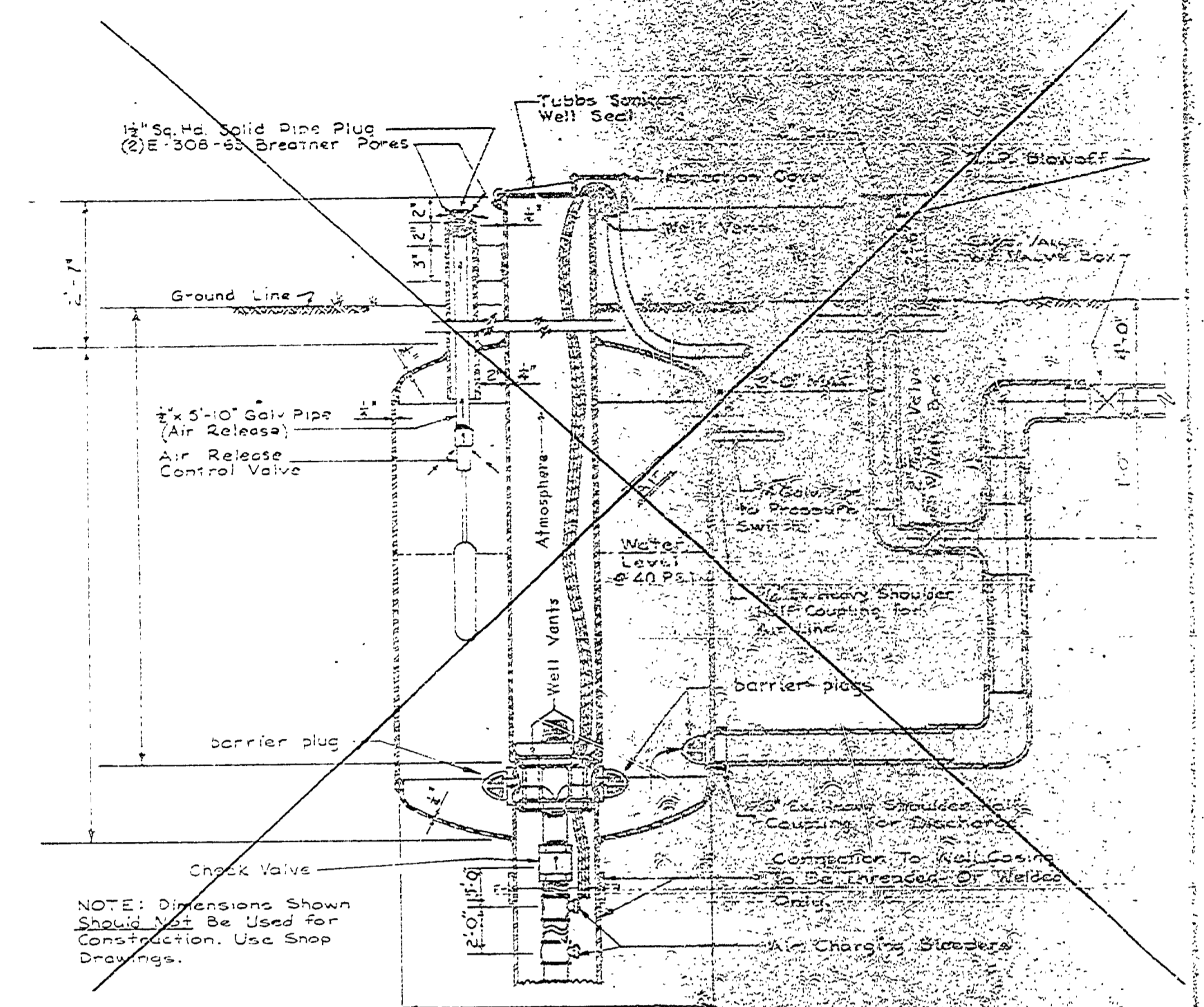


PLAN  
1/2" = 1'-0"

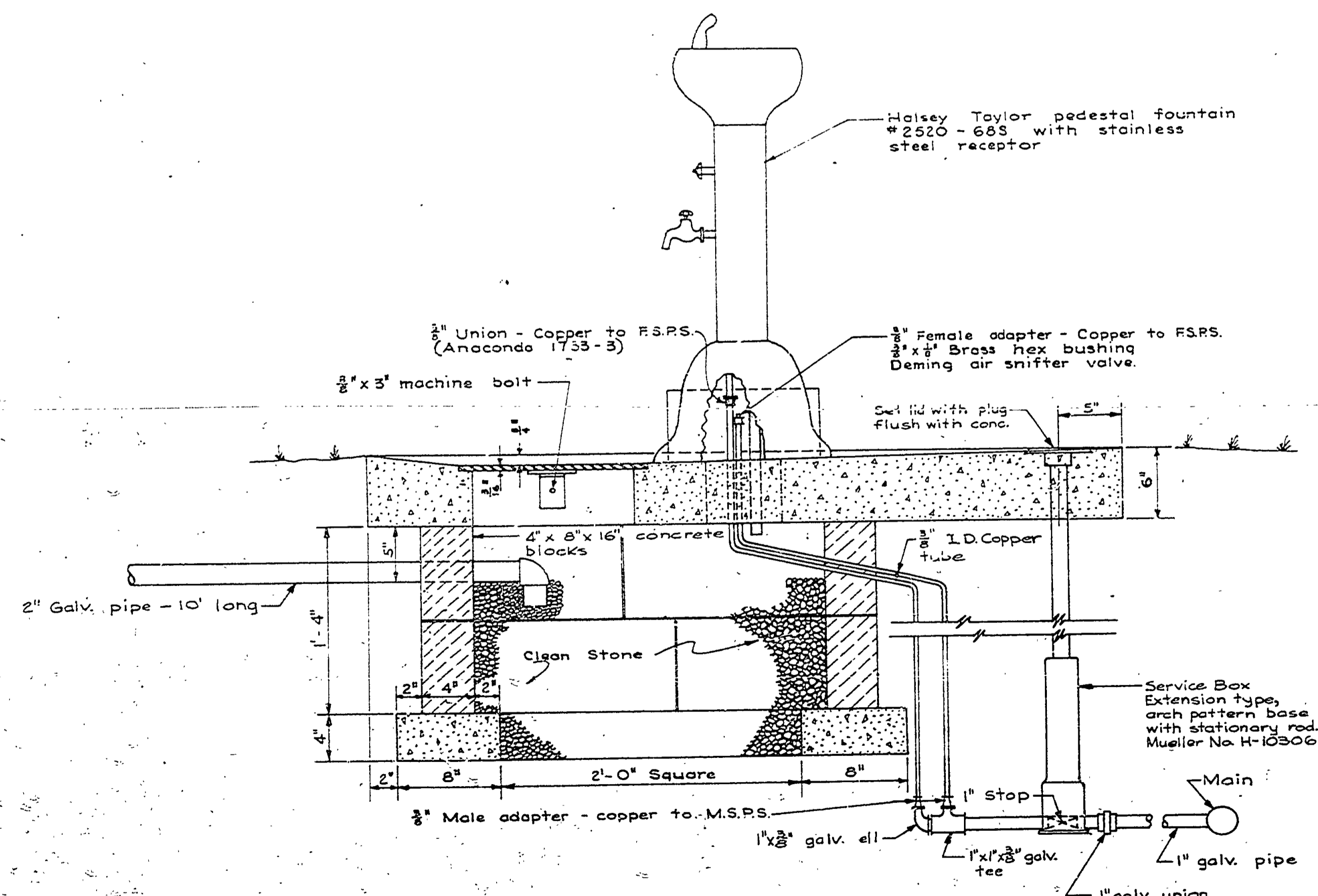


PLAN OF CONCRETE SLAB  
1/2" = 1'-0"

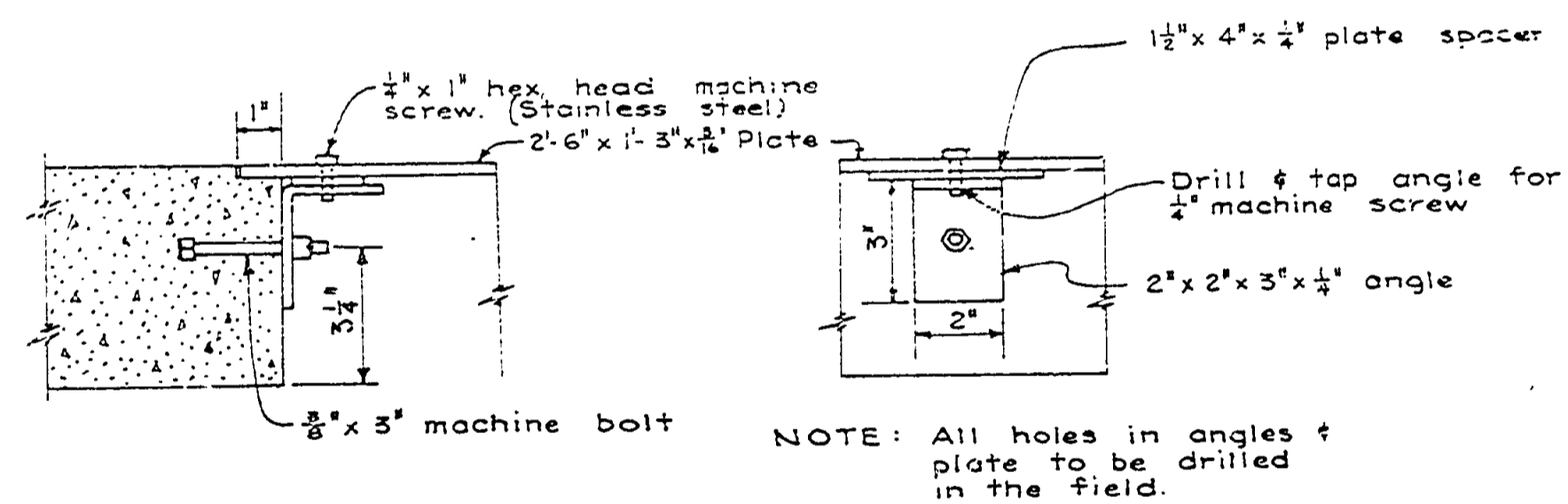


NOTE: Dimensions Shown Should Not Be Used for Construction. Use Shop Drawings.

GALLON PITLESS ADAPTER TANK  
No Scale

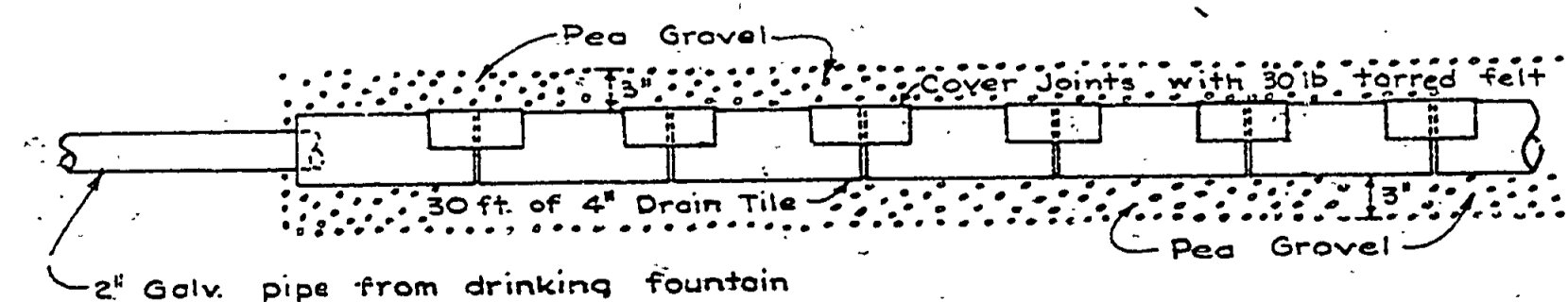


SECTION A-A  
1/2" = 1'-0"



DETAIL FOR FASTENING GRATING TO CONCRETE SLAB  
3/4" = 1'-0"

NOTE: Shut-off valve in service box. Open faucet on fountain and pump air through sniffer valve for winter shut down.



DETAIL OF TILE DRAIN

SURVEYED BY	DRAWN BY	NO.	DATE	BY	REVISIONS	NO.	DATE	BY	REVISIONS
DESIGNED BY BARKER	COTE	1	6-69	H.L.R.	Extension Type Service Box in Slab	3			
	W.H.E.	2	8-69	J.H.H.	Tank - from to casing	4			

MICHIGAN DEPARTMENT OF CONSERVATION  
DRINKING FOUNTAIN PLAN

SHEET NO. OF  
FOR PROJECT NO. 24-142