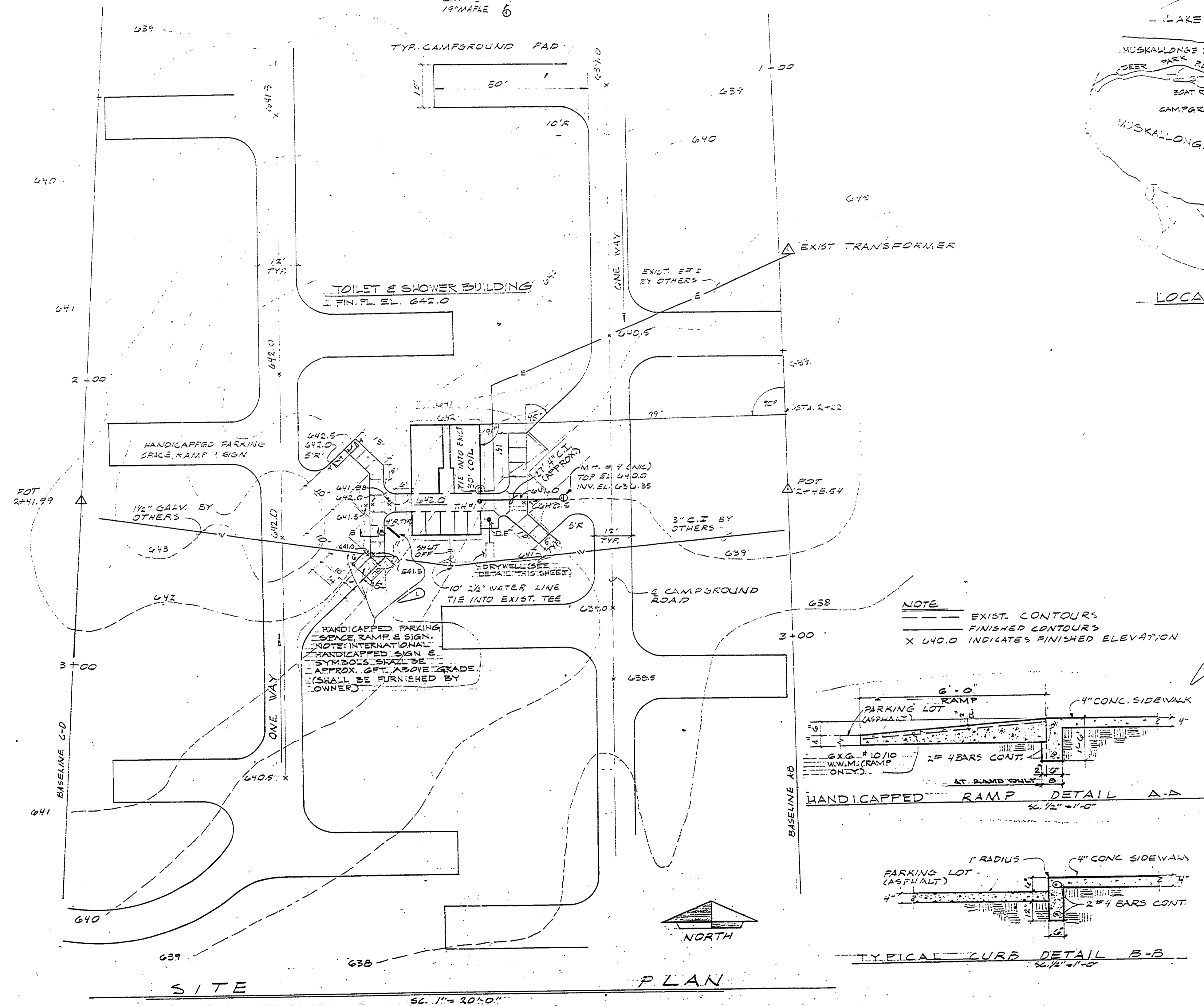
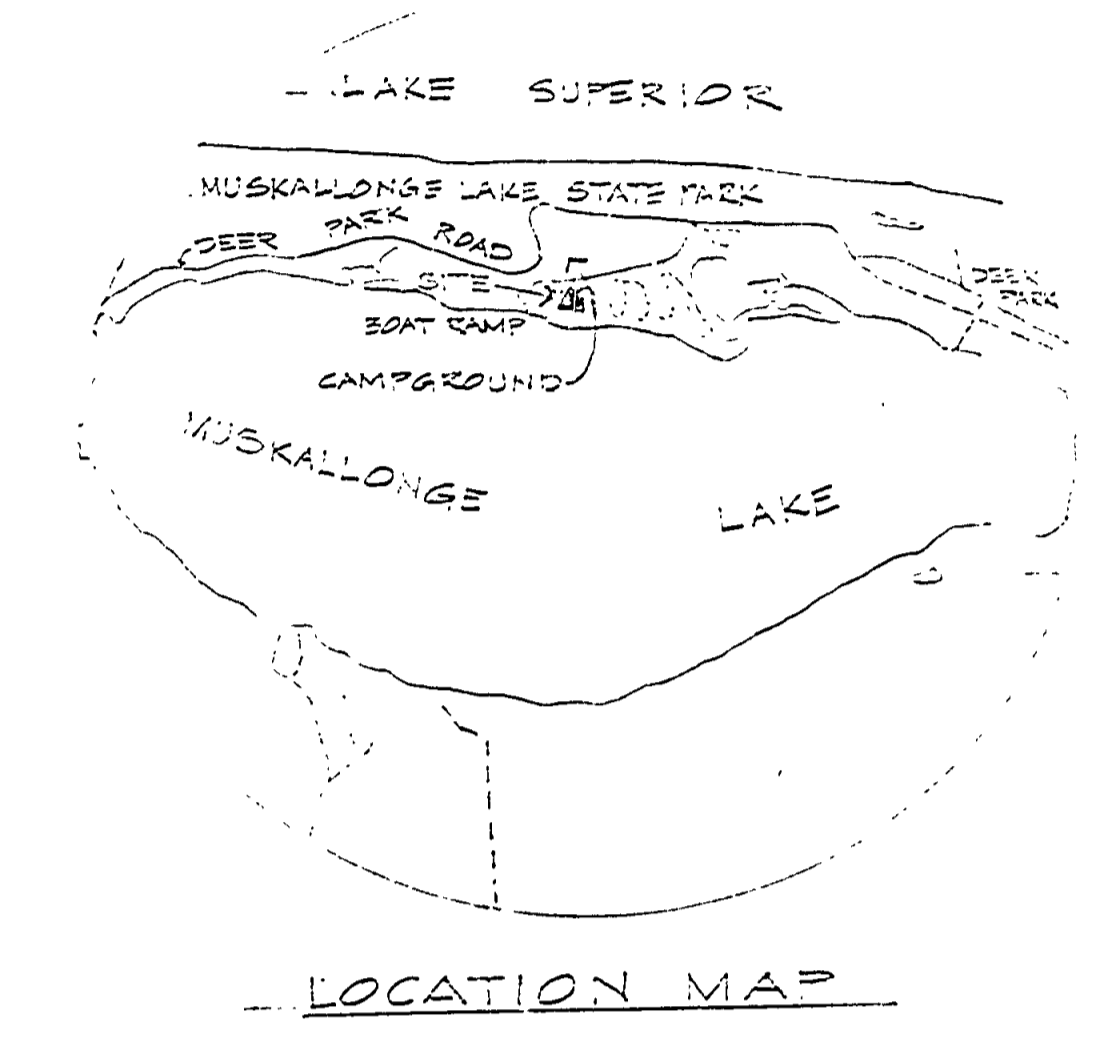
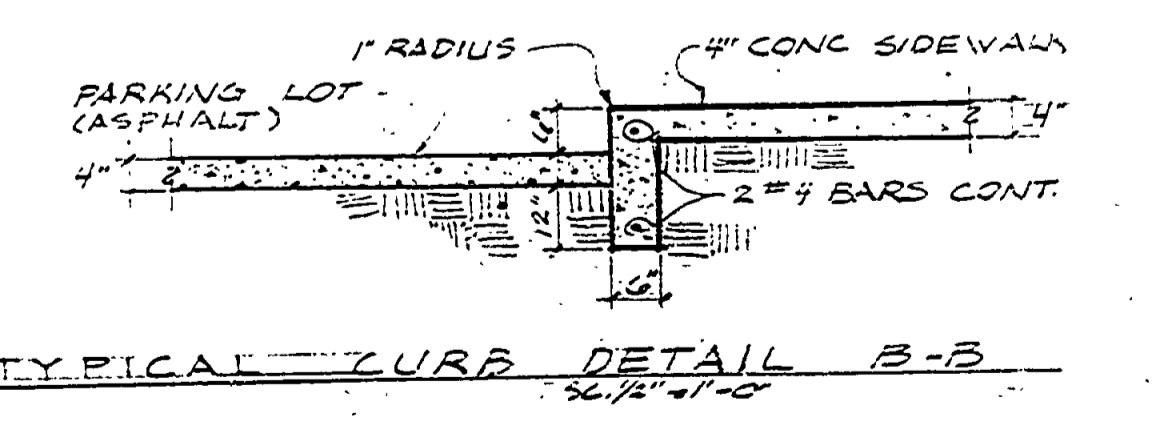
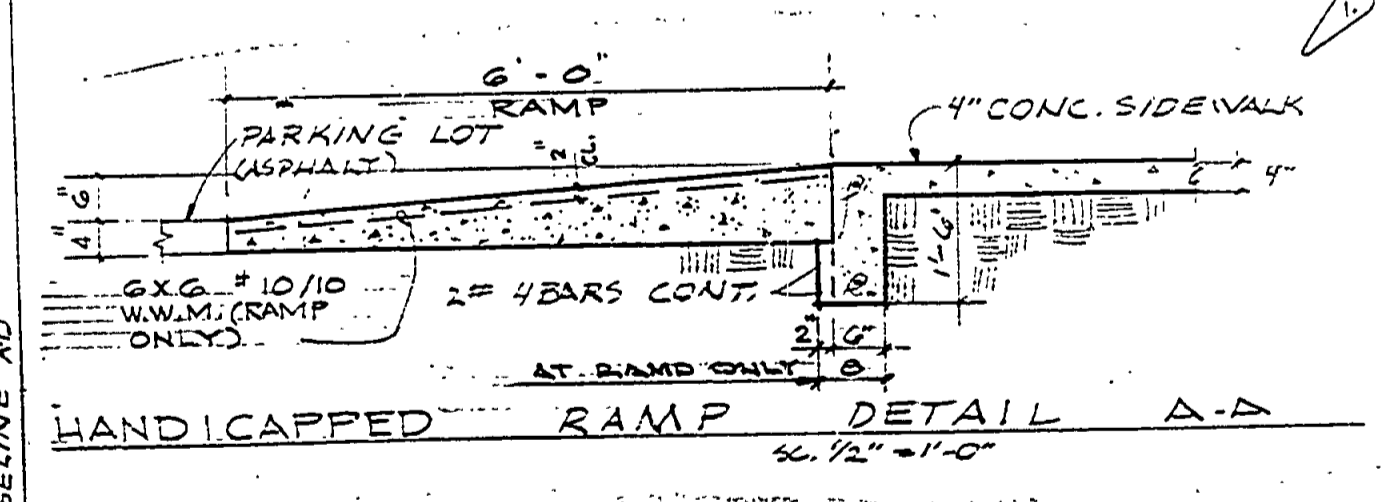


MUSKALLONGE STATE PARK

TOILET & SHOWER

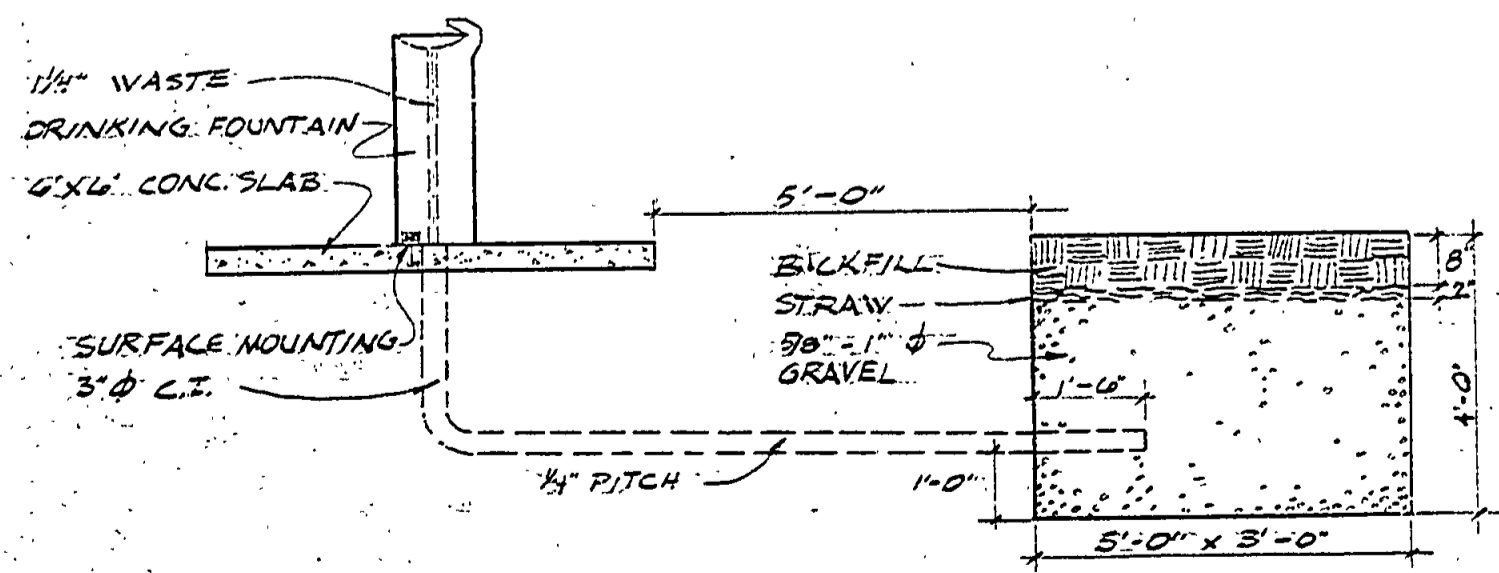


NOTE
 --- EXIST. CONTOURS
 --- FINISHED CONTOURS
 X 420.0 INDICATES FINISHED ELEVATION



WITNESSES

PT. A 1" PIPE FLUSH W/ GROUND
 N 16° W, 7.47', 9" MAPLE SPIKE & TAG
 S 61° W, 10.21', 4" MAPLE SPIKE & TAG
 POT 2+48.54 TACKED HUB
 S 78° E, 3.79', 15" BEECH SPIKE & TAG
 N 30° W, 2.635', 16" MAPLE SPIKE & TAG
 PT. B 4-77.35 3/4" PIPE FLUSH W/ GROUND
 S 85° E, 15.19', 12" BIRCH SPIKE & TAG
 S 56° W, 15.04', 8" MAPLE SPIKE & TAG
 PT. C 1" PIPE FLUSH W/ GROUND
 S 89° W, 15.83', 10" BIRCH SPIKE & TAG
 S 47° E, 9.24', 6" MAPLE SPIKE & TAG
 POT 2+41.99 TACKED HUB
 N 35° W, 16.63', 6" MAPLE SPIKE & TAG
 N 59° E, 30.63', 14" MAPLE SPIKE & TAG
 PT. D 4+41.50 3/4" PIPE FLUSH W/ GROUND
 N 23° E, 7.81', 8" BIRCH SPIKE & TAG
 S 59° E, 4.22', 10" MAPLE SPIKE & TAG
 TA #1 BASELINE A-B 2+50 100' RT.
 00'-3.7' - MED. SAND
 37'-4.5' - GRAVEL
 BM #3 ELEV. 439.71
 A 19" MAPLE ON S. SIDE CAMPGROUND RD.
 & ABOUT MIDWAY BETWEEN BASELINES A-B
 & C-D. N. ROOT SPIKE, NUT & TAG



SURVEYED BY		DRAWN BY G. TOMPKINS		5-74	NO.	DATE	BY	REVISIONS	NO.	DATE	BY	REVISIONS	MICHIGAN DEPARTMENT OF NATURAL RESOURCES	TITLE SHEET & SITE PLAN	MUSKALLONGE STATE PARK AREA OR PARK	TOILET & SHOWER BUILDING PROJECT
DESIGNED BY		CHECKED BY			1.				3.							
DATE		DATE			2.				4.							

DRAWING SCHEDULE	
SHEET NO.	DESCRIPTION
1	TITLE SHEET & SITE PLAN
2	FLOOR PLAN, ELEVATION
3	FOUNDATION - MECHANICAL SECTIONS - DETAILS
BUILDING COMMITTEE APPROVAL	
BY: <i>H. M...</i>	DATE: 7-6-66
RECOMMENDED FOR APPROVAL: <i>H. M...</i>	
RECOMMENDED FOR APPROVAL: <i>H. M...</i>	
DIVISION / REGION APPROVAL	
BY: <i>H. M...</i>	DATE: 7-6-66
APPROVED: <i>H. M...</i>	
PROJECT NO. 24-1472	SHEET 1 OF 3
PLAN NO. A-102	