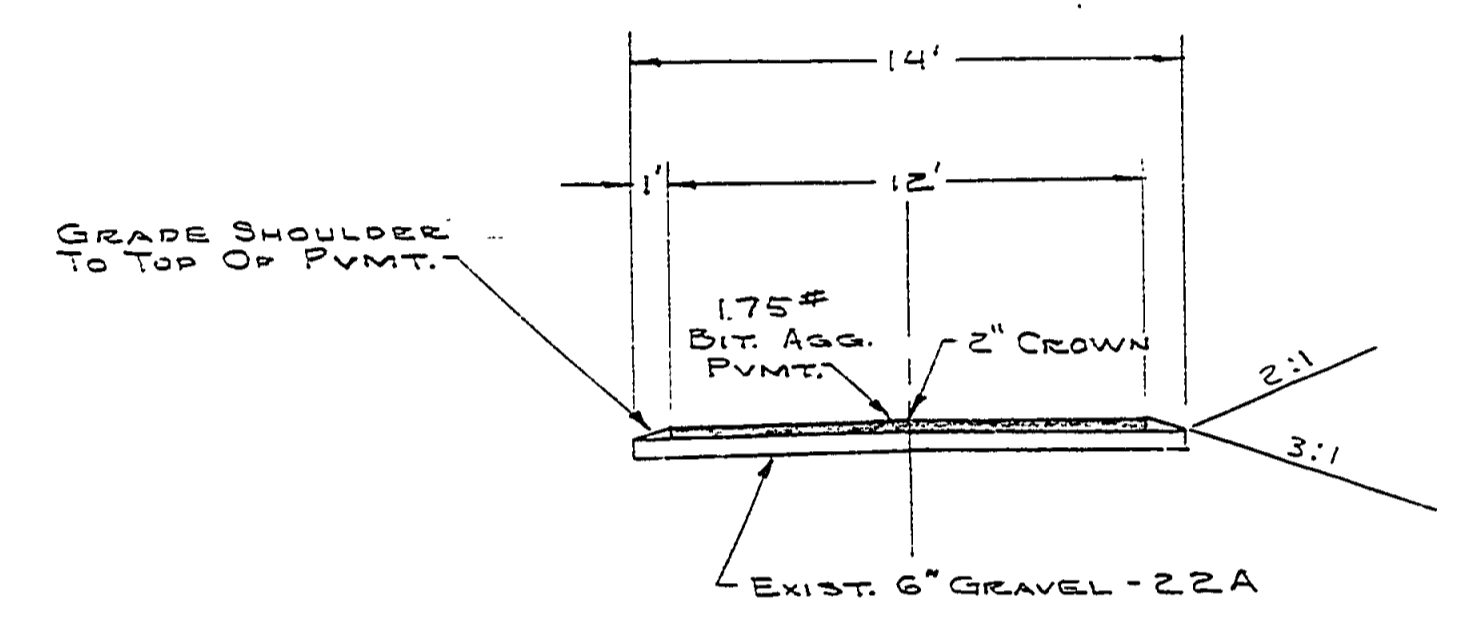
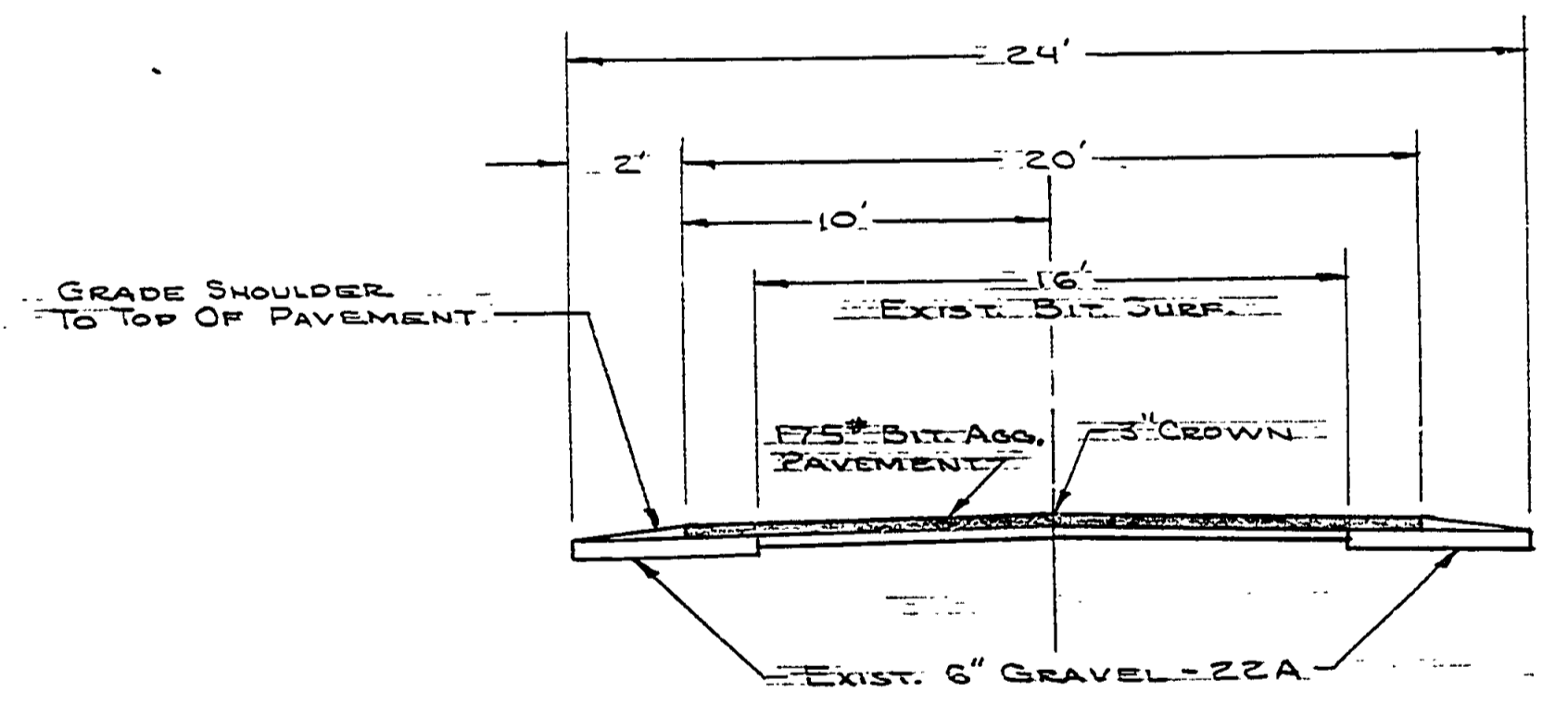


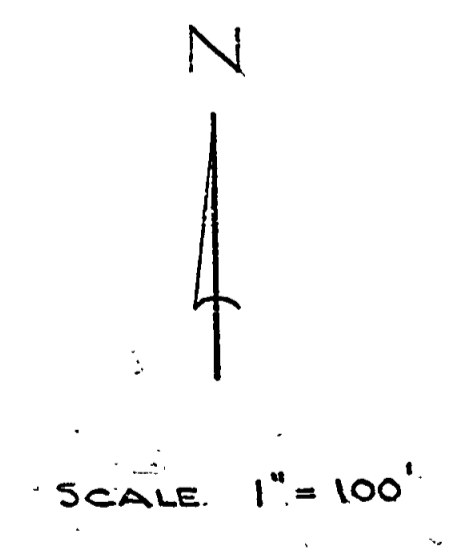
SECTION A-A
EXIST. GRAVEL ROAD



TYP. SECT. TURN AROUND



SECTION B-B
EXIST. ENTRANCE ROAD



SURVEYED BY		DRAWN BY J. Y. PMA		12-74	NO.	DATE	BY	REVISIONS		NO.	DATE	BY	REVISIONS		MICHIGAN DEPARTMENT OF NATURAL RESOURCES	ENTRANCE ROAD BOAT LAUNCH ROAD	B-E-W-A-B-C STATE PARK	PROJECT NO. 24-1663
DESIGNED BY P. H. BARRILL		CHECKED BY		12-74	1.					3.					DEPARTMENT OF NATURAL RESOURCES	BOAT LAUNCH ROAD	AREA OR PARK	SHEET 2 OF 3
DATE		DATE			2.					4.							BETUMINOUS PAVEMENT	PLAN NO. E-102
																	PROJECT	