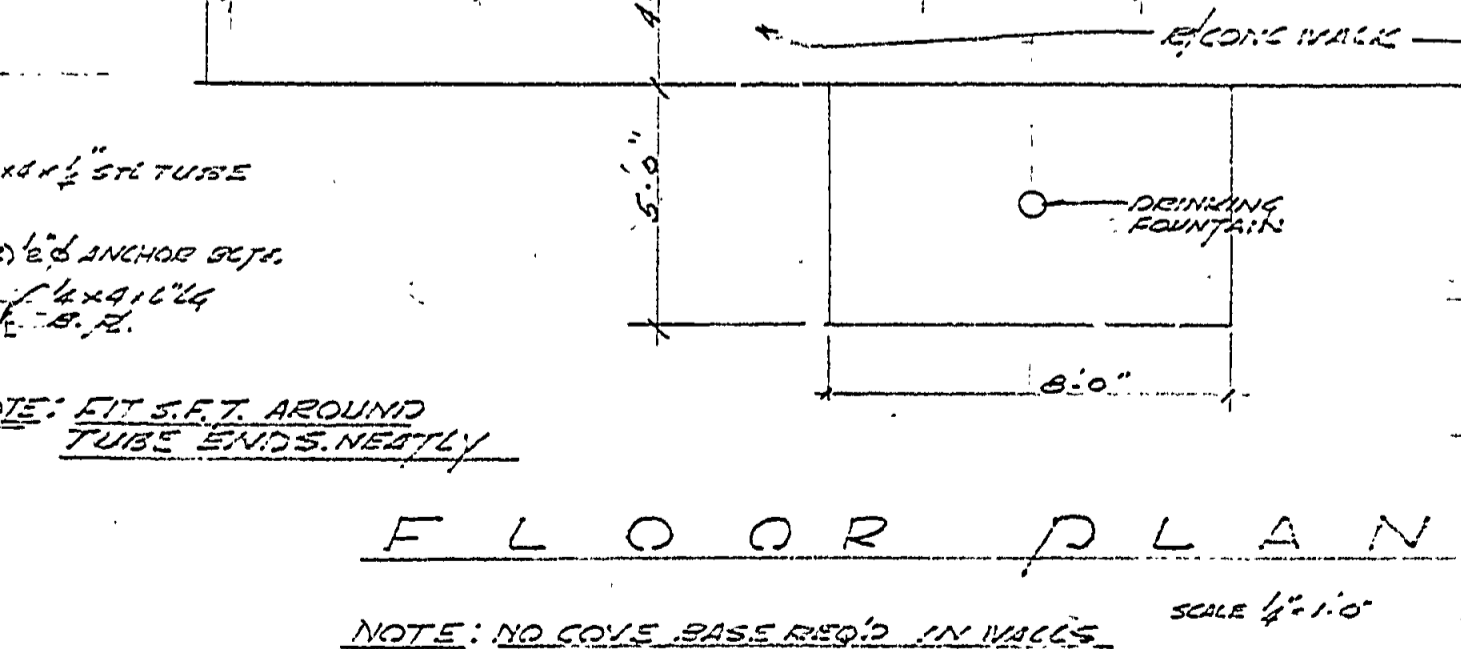
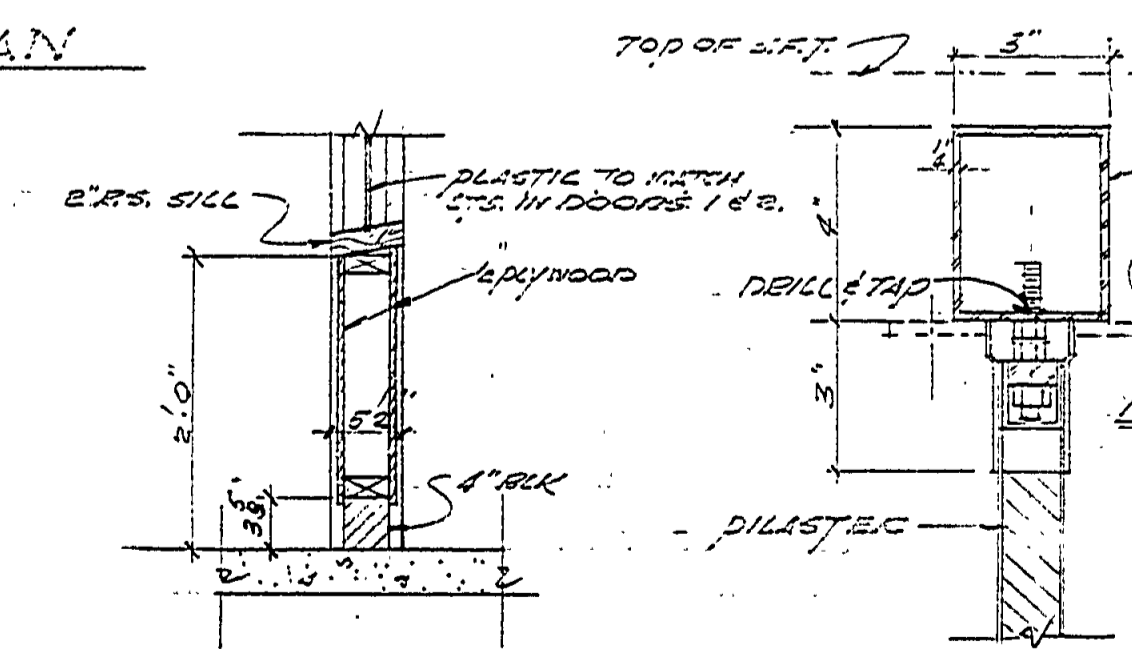
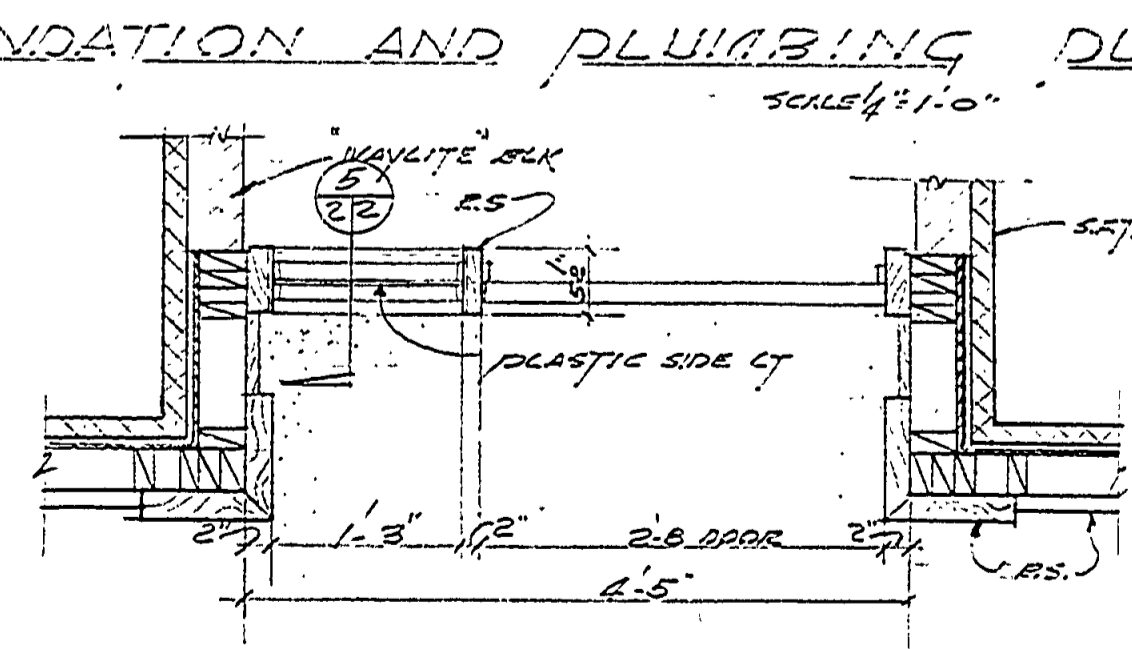
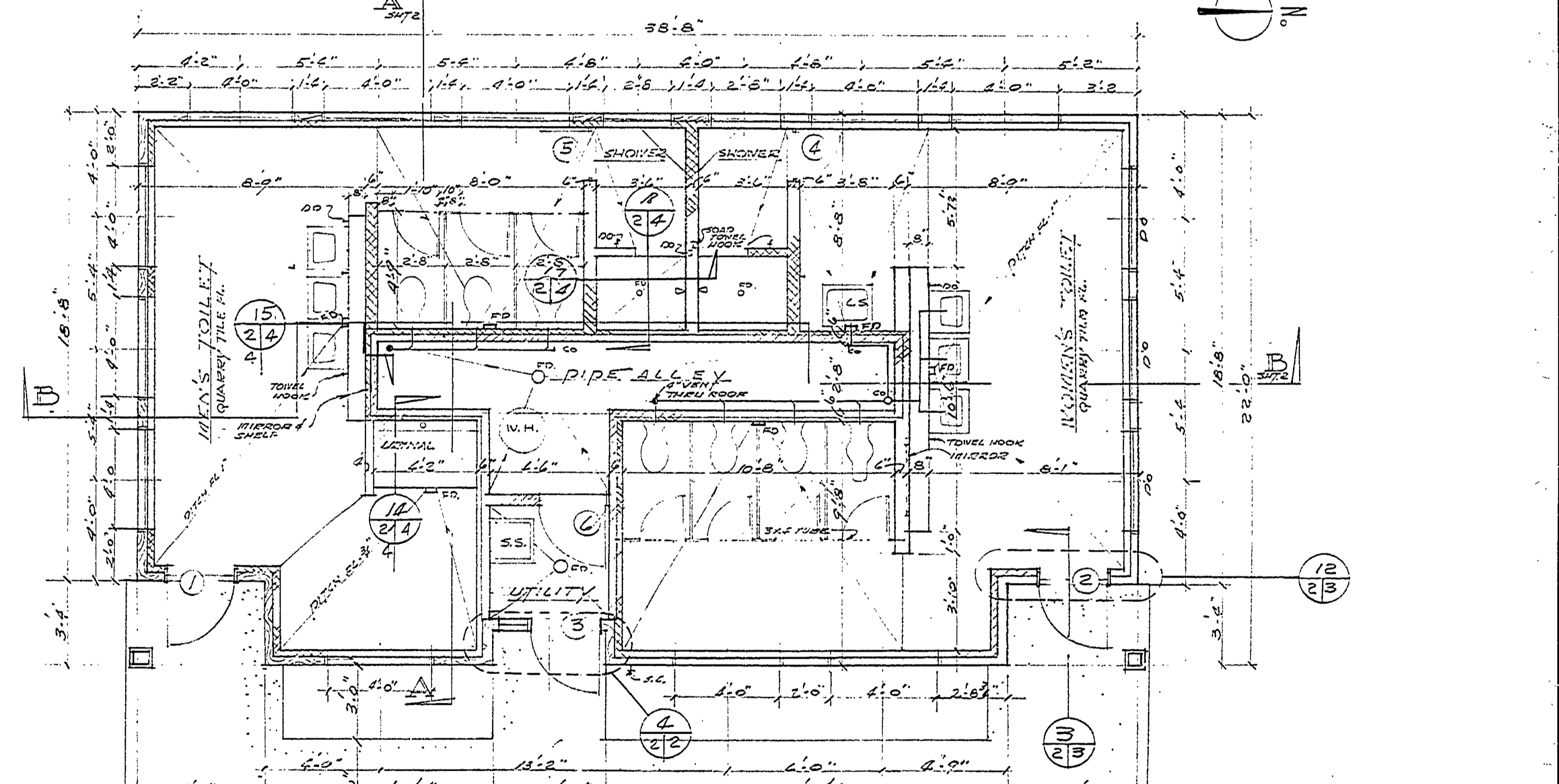
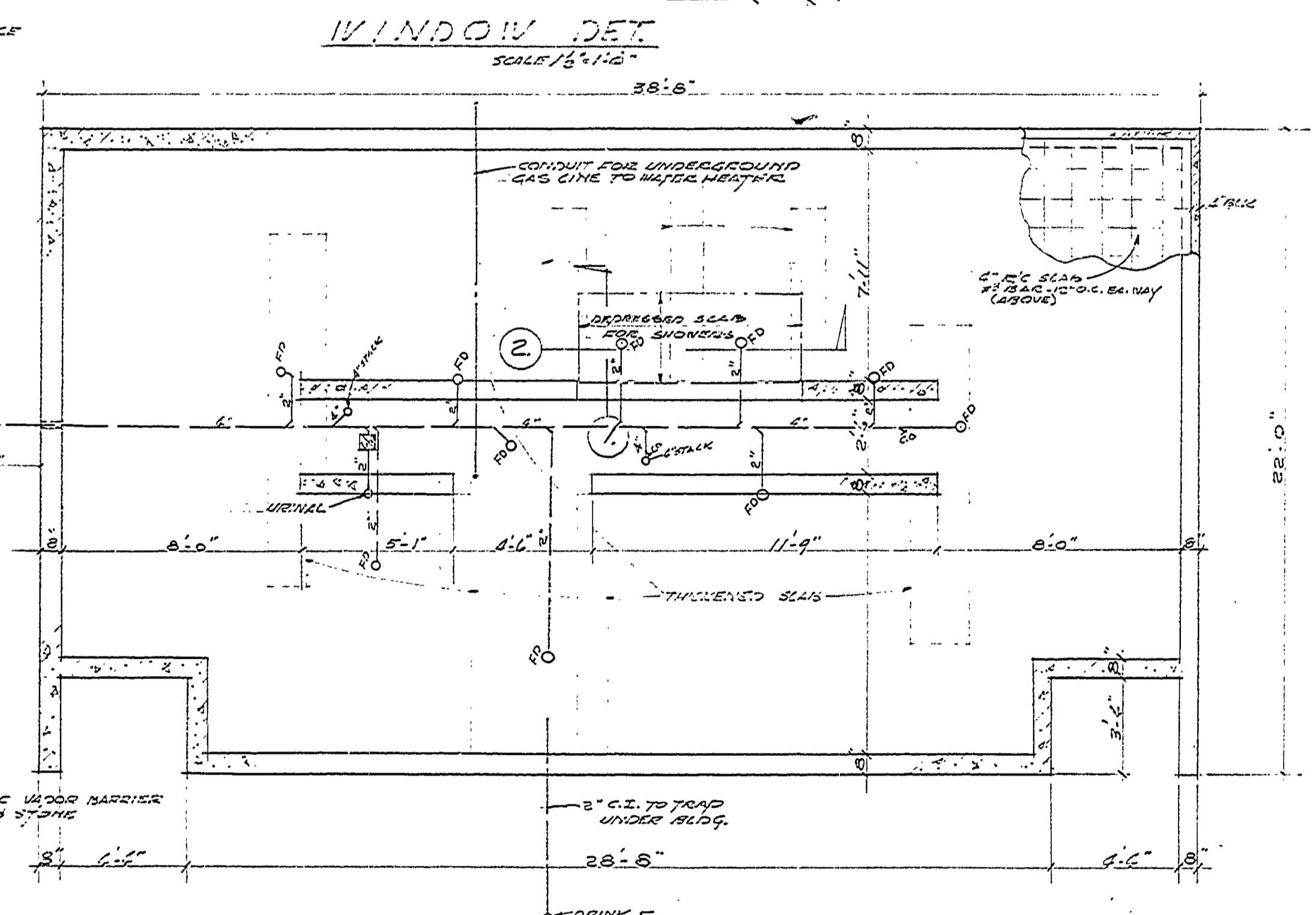
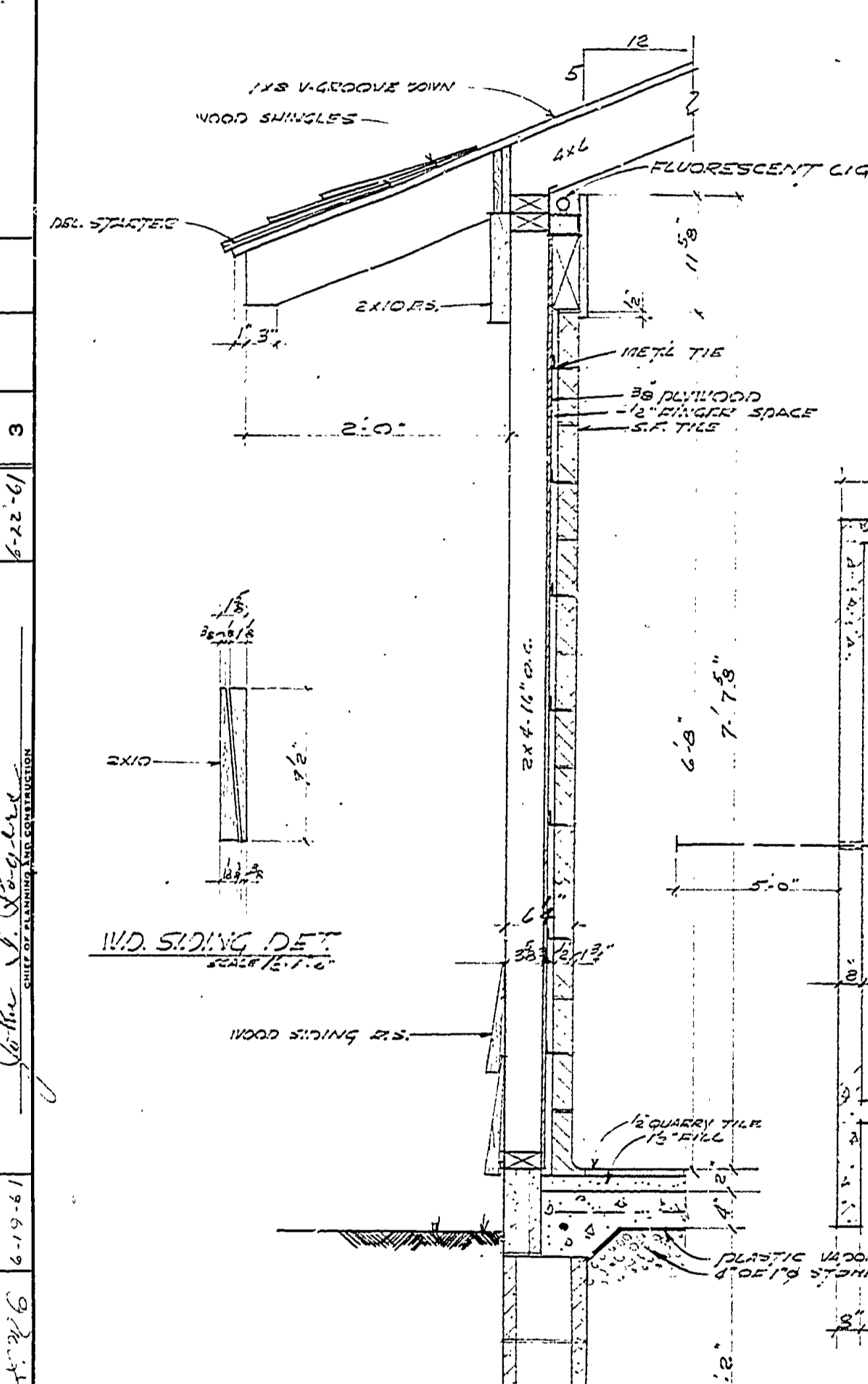
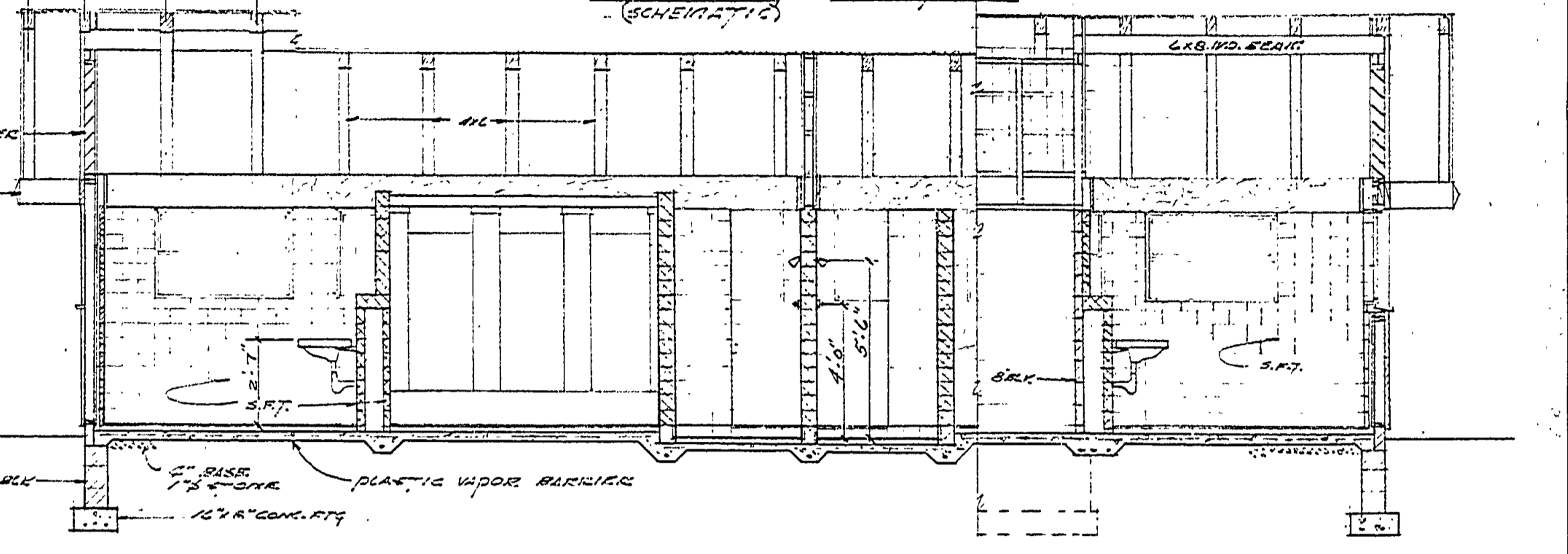
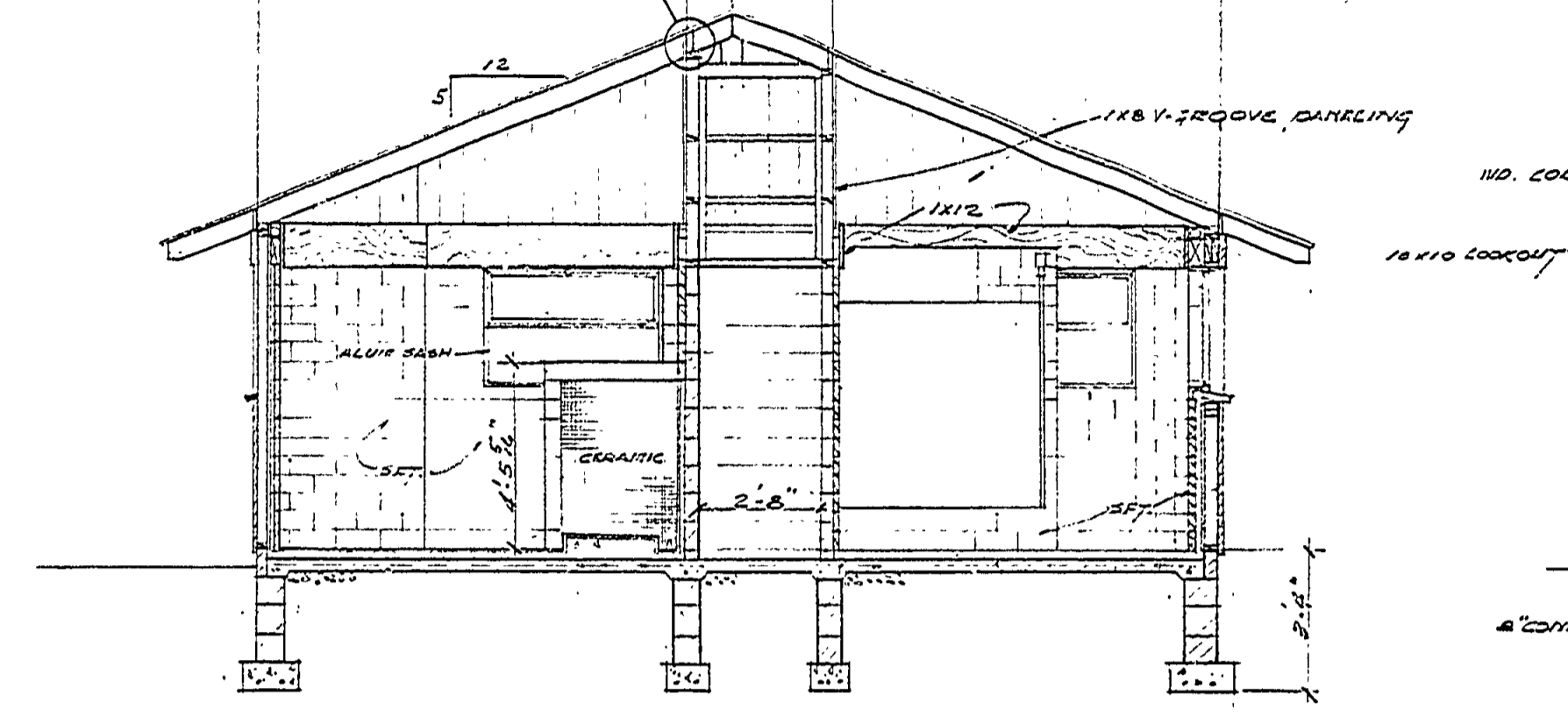
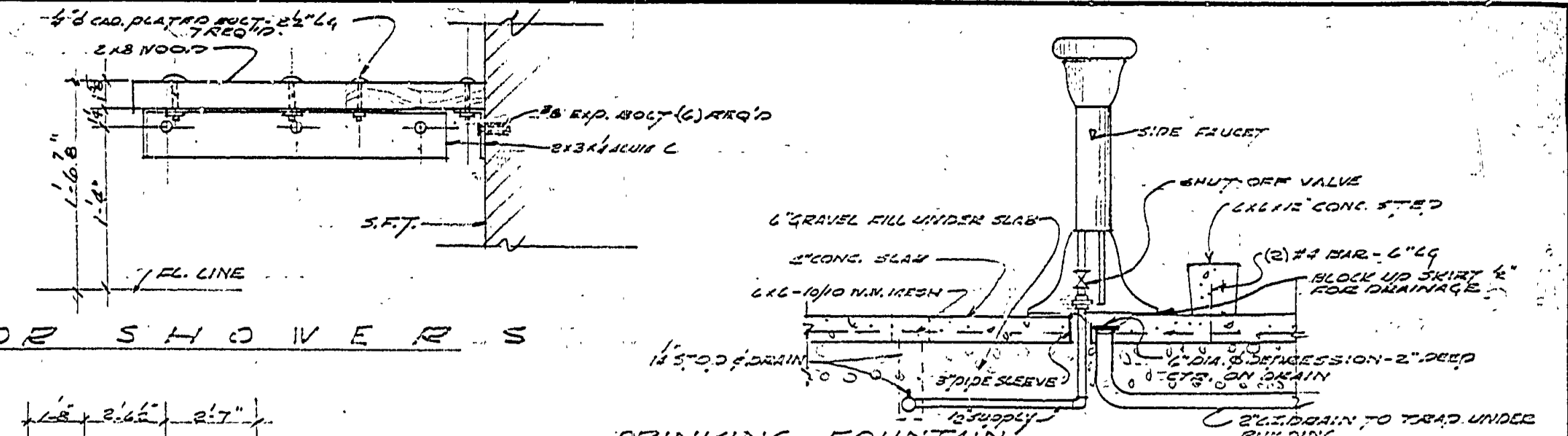
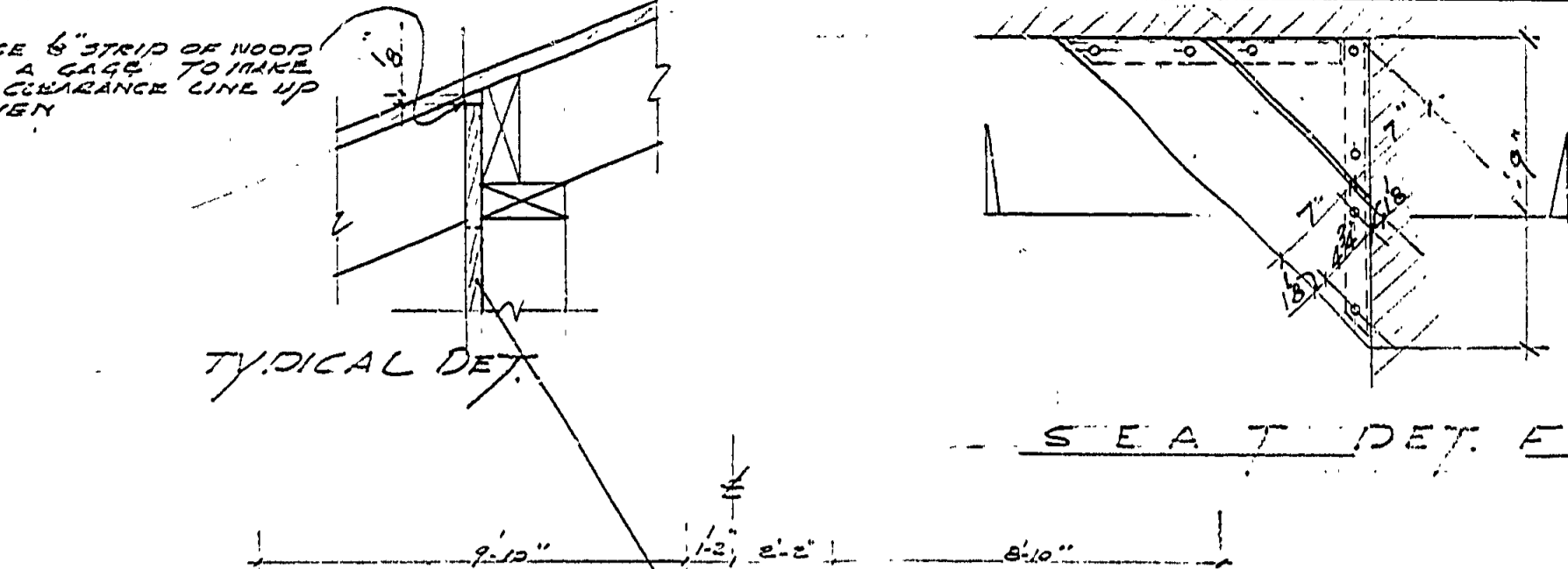
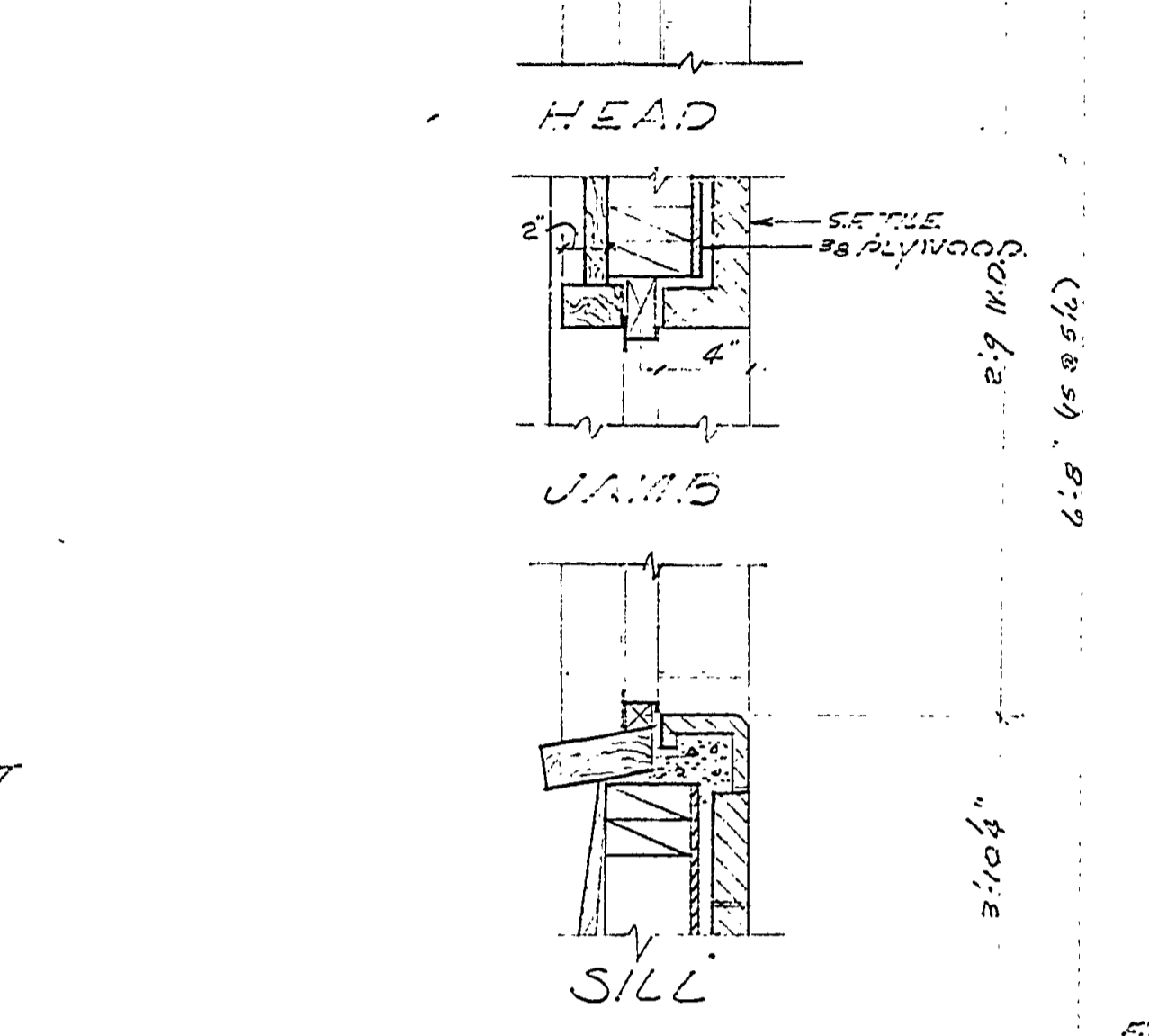
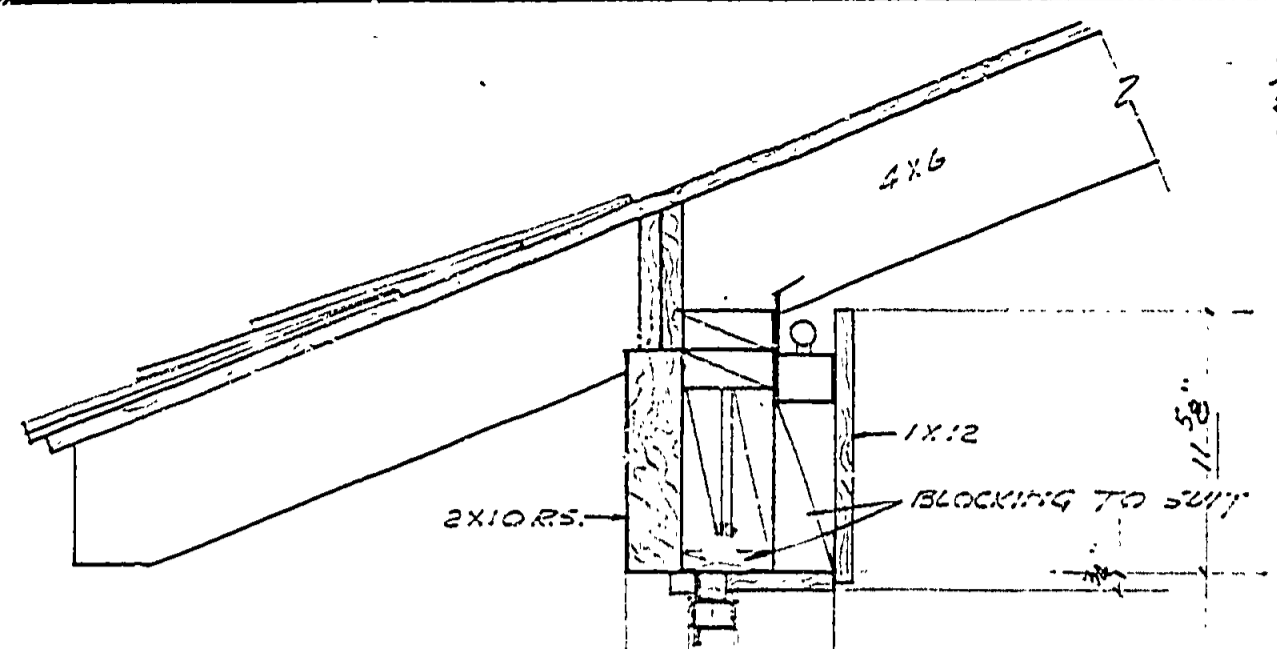
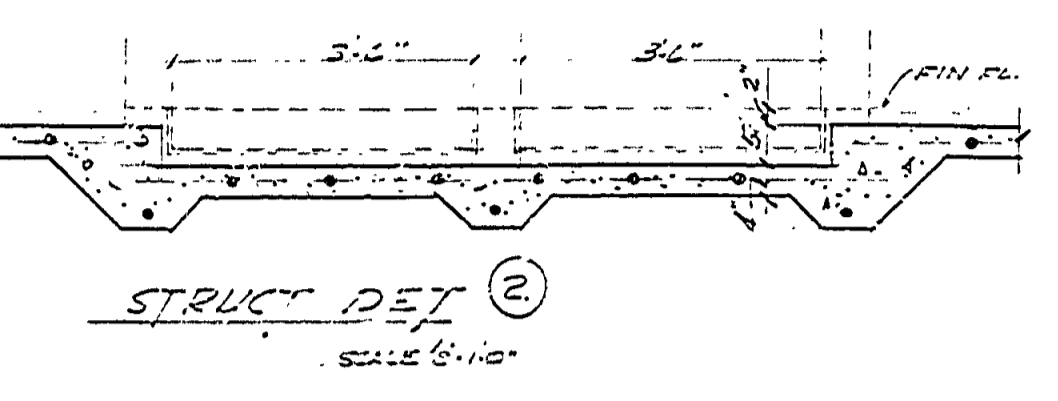
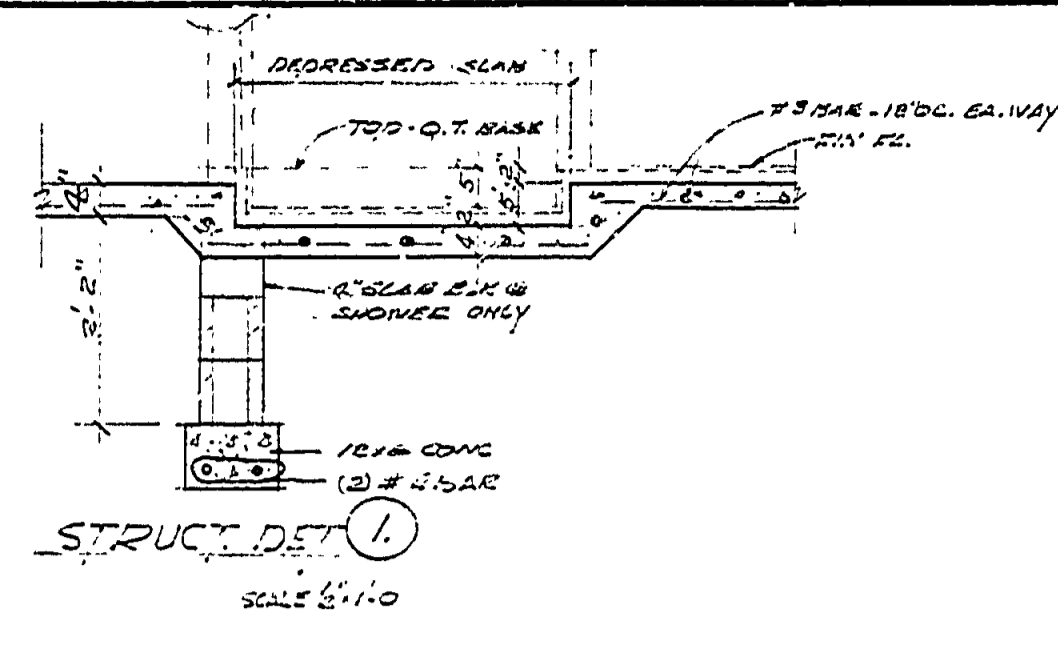


DESIGNED BY	DATE	REVIEWED	DATE	APPROVED	DATE	NO.	DATE BY	REVISIONS	DATE BY
W.V.G.	6/17/41	ARCHITECTURAL	6/17/41	<i>[Signature]</i>	6/17/41	1		4	
ENGINEERING	6/21/41	ENGINEERING	6/21/41	<i>[Signature]</i>	6/21/41	2		5	
LANDSCAPE	6/29/41	LANDSCAPE	6/29/41	<i>[Signature]</i>	6/29/41	3		6	



ROOMS	FLOOR	BASE	WALLS/CERAMIC	WOOD FINISH AND OTHERS	CEILING	WALLS	REPAIRS
MEN'S TOILET & SHOWER	QUARRY TILE	QUARRY TILE	GLASS BLOCK	WOOD TRIM	AC	PAINT	QUARRY TILE BASE IN SHOWER
WOMEN'S "	QUARRY TILE	QUARRY TILE	GLASS BLOCK	WOOD TRIM	AC	PAINT	QUARRY TILE BASE IN SHOWER
UTILITY RM.	CEMENT CONCRETE	CEMENT CONCRETE	GLASS BLOCK	WOOD TRIM	AC	PAINT	CEMENT CONCRETE
PIPE ALLEY							NO PAINT

NOTE: NO COVE BASE REQ'D IN WALLS WHERE FLOOR FINISH OCCUR