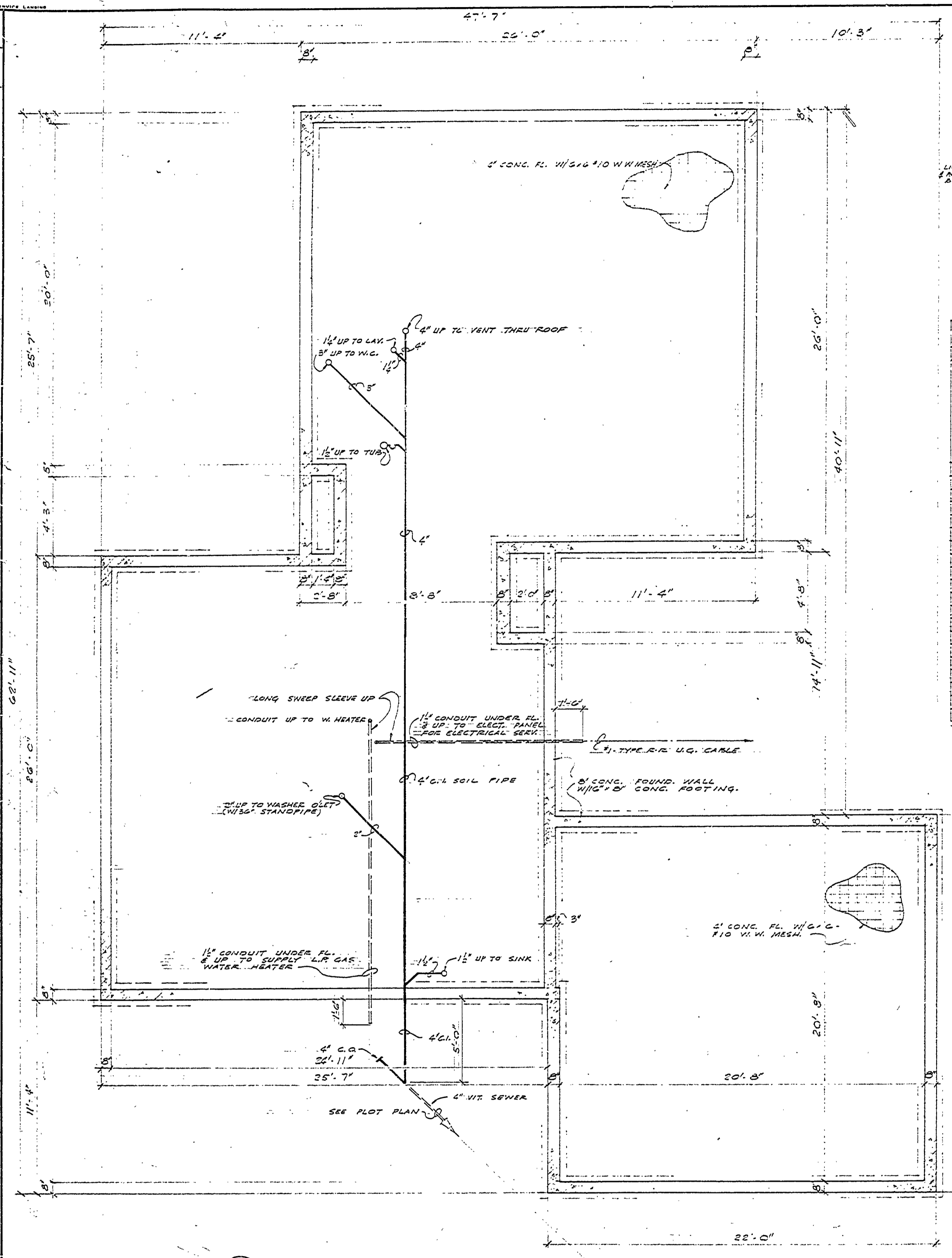
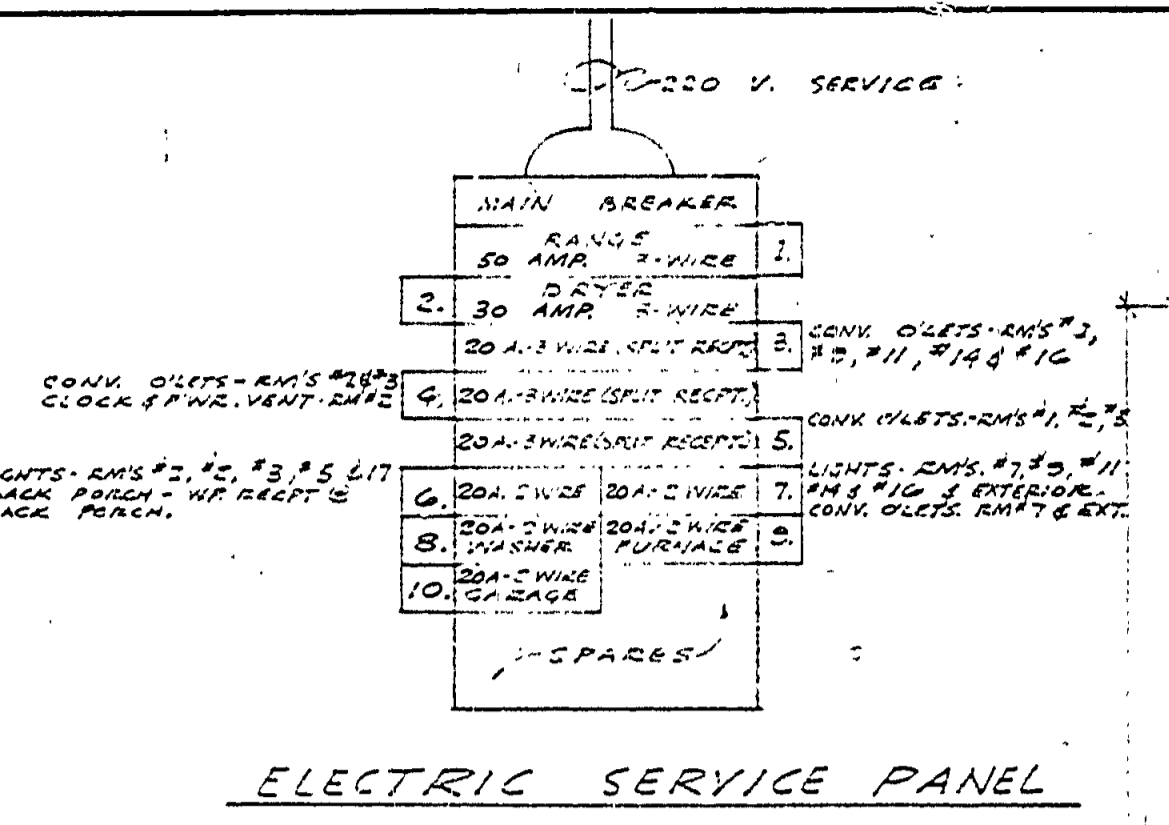


DESIGNED BY	DRAWN BY	CHECKED BY	DATE	REVIEWED	APPROVED	DATE	NO.	DATE	BY	REVISIONS
							1	UNL 65	WCP	REVISE DATA RETURN L.C. & J.B. WING
							2			
							3			
							4			
							5			
							6			



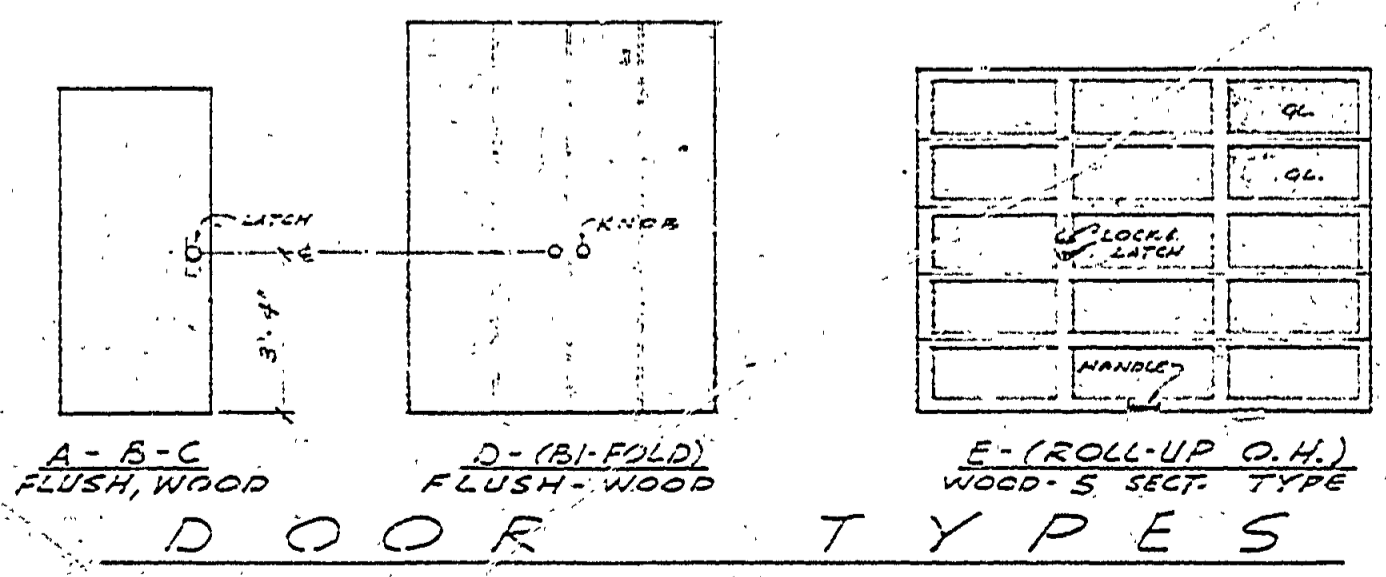
**FOUNDATION PLAN**  
(W. U. GROUND SEWER PLAN) SCALE: 3/8"=1'-0"



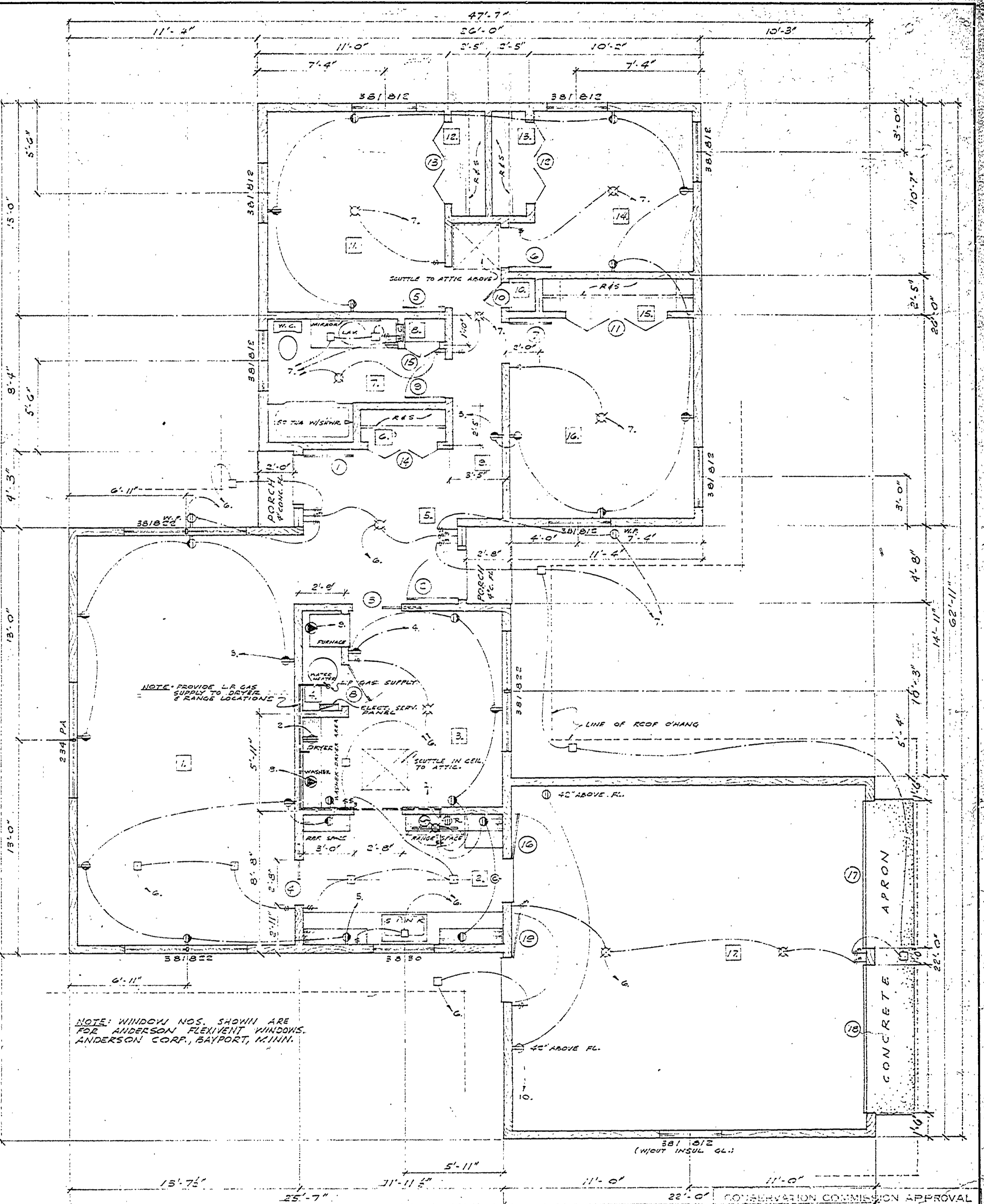
**ELECTRIC SERVICE PANEL**

ROOM FINISH SCHEDULE						
ROOM NUMBER	FLOOR	BASE	WALL	CEIL.	TRIM	REMARKS
1. LIVING RM.						W/DINING AREA
2. KITCHEN						W/DINING AREA
3. UTILITY						W/DINING AREA
4. MECH. CLOS.						
5. ENTRY						
6. BATH RM.						
7. LINEN CLOS.						
8. HALL						
9. BEDROOM CLOS.						
10. BEDROOM						
11. B.A. CLOS.						
12. BEDROOM						
13. B.A. CLOS.						
14. BEDROOM						
15. B.A. CLOS.						
16. BEDROOM						
17. GARAGE						

DOOR SCHEDULE			
NUMBER	DESIGNATION	TYPE	REMARKS
1A	1 3/4	28	6 8 W/4 MTL SILL
2A	1 3/4	32	6 8 W/4 MTL SILL
3A	1 3/4	28	6 8
4A	1 3/4	28	6 8
5A	1 3/4	28	6 8
6A	1 3/4	28	6 8
7A	1 3/4	28	6 8
8A	1 3/4	28	6 8
9A	1 3/4	28	6 8
10A	1 3/4	28	6 8
11A	1 3/4	28	6 8
12A	1 3/4	28	6 8
13A	1 3/4	28	6 8
14A	1 3/4	28	6 8
15A	1 3/4	28	6 8
16A	1 3/4	28	6 8
17A	1 3/4	28	6 8
18A	1 3/4	28	6 8
19A	1 3/4	28	6 8



**DOOR TYPES**



**FLOOR PLAN**  
(ELECTRICAL PLAN) SCALE: 1/8"=1'-0"

**ELECTRICAL SYMBOLS**

- CEILING FIXTURE
- CEILING FIXTURE (RECESSED)
- CONVENIENCE OUTLET
- CONV. OULET (TRIP WIRED)
- CONV. OULET (WEATHERPROOF)
- RANGE OULET
- WASHER OULET
- DRYER OULET
- FURNACE OULET
- CLOCK
- EXHAUST FAN
- ELECT. SERVICE PANEL

DESIGNED BY	DATE
DRAWN BY	DATE
CHECKED BY	DATE
PROJECT NUMBER	24
SHEET	2
OF	6

MICHIGAN DEPARTMENT OF CONSERVATION PARKS AND RECREATION DIVISION

BRIMLEY STATE PARK RESIDENCE (#18)

PLAN NO. A-107