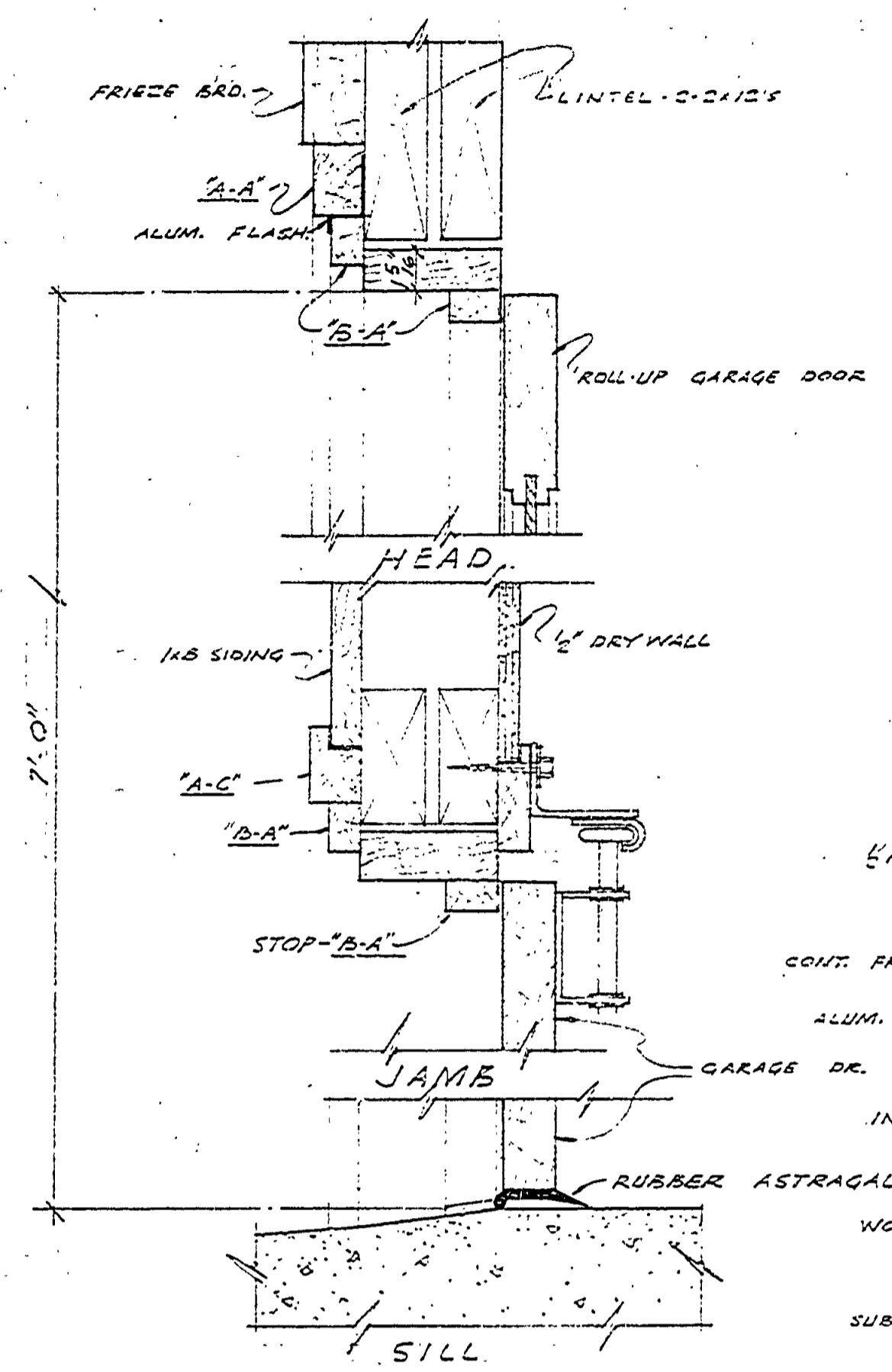
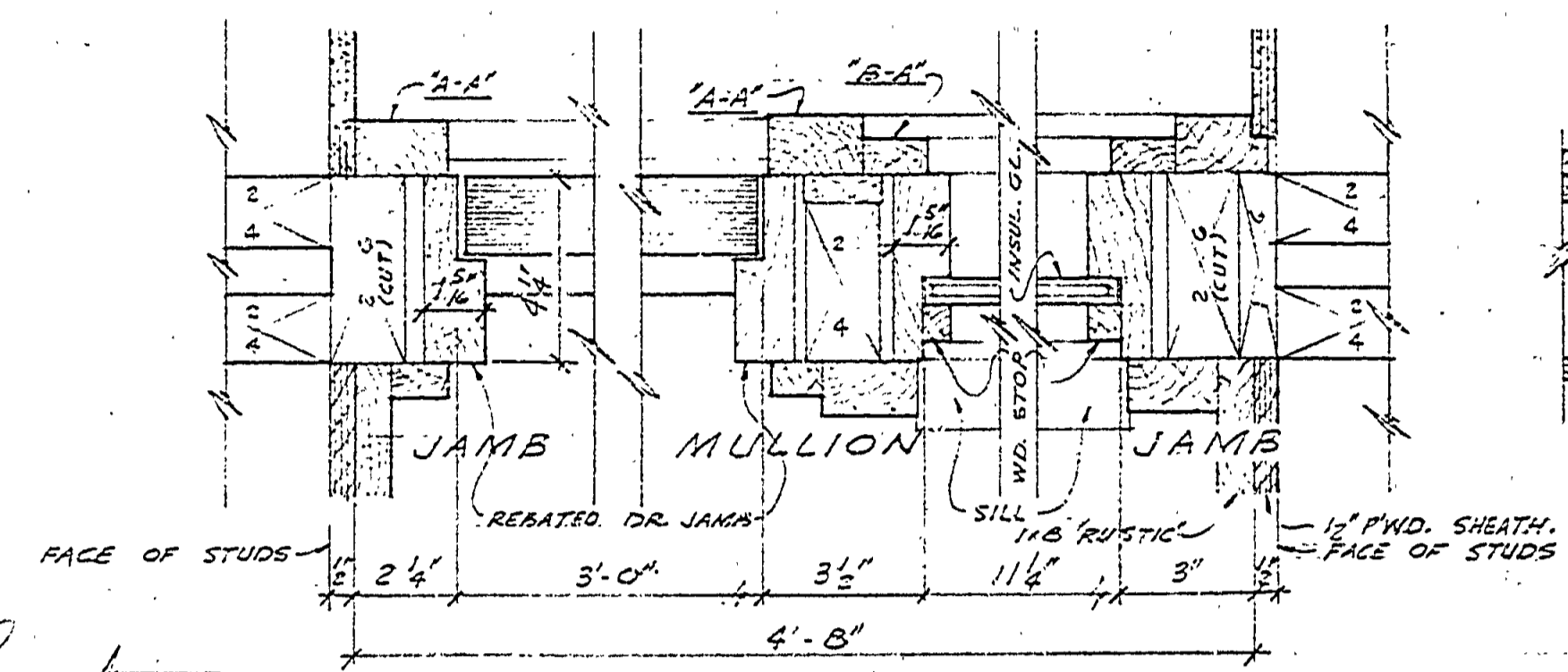


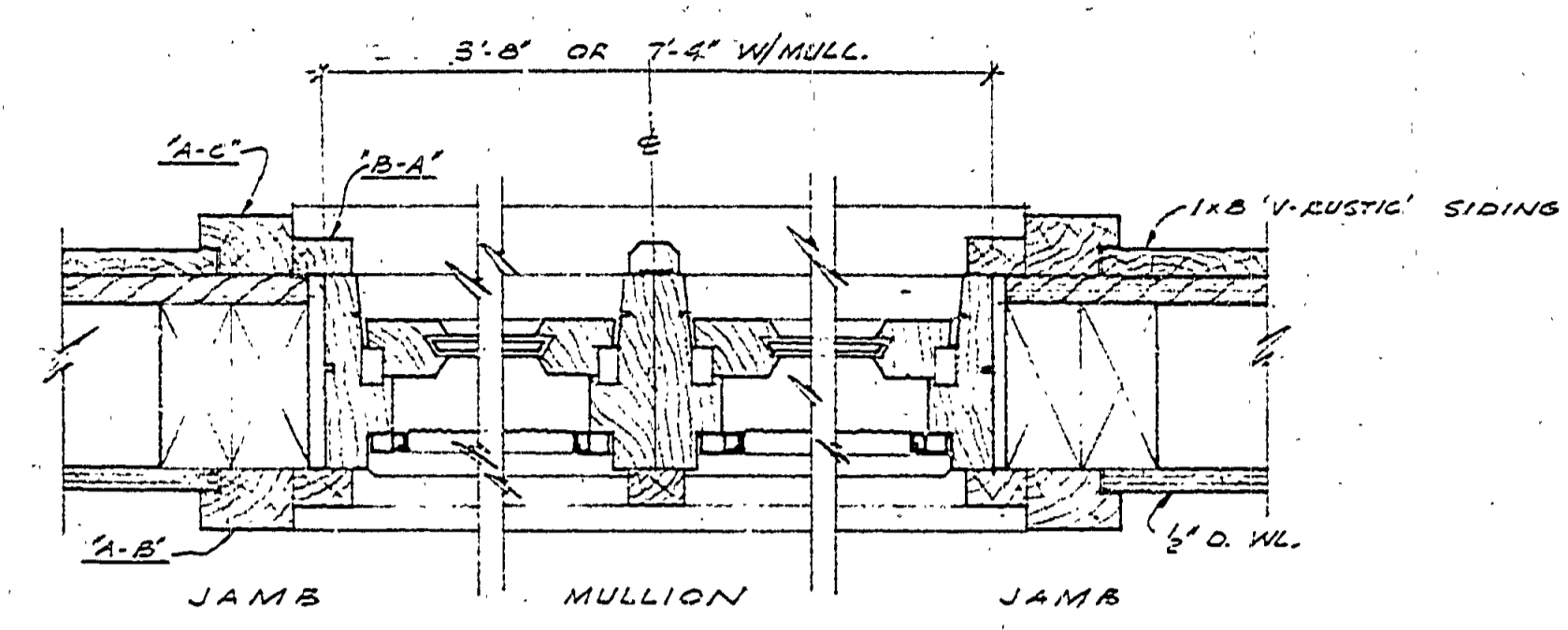
DESIGNED BY	DATE	REVIEWED	DATE	APPROVED	DATE	NO.	DATE BY	REVISIONS	DATE BY
DRAWN BY	10-1-4	ARCHITECTURAL				1		4	
CHECKED BY		ENGINEERING				2		5	
		LANDSCAPE				3		6	



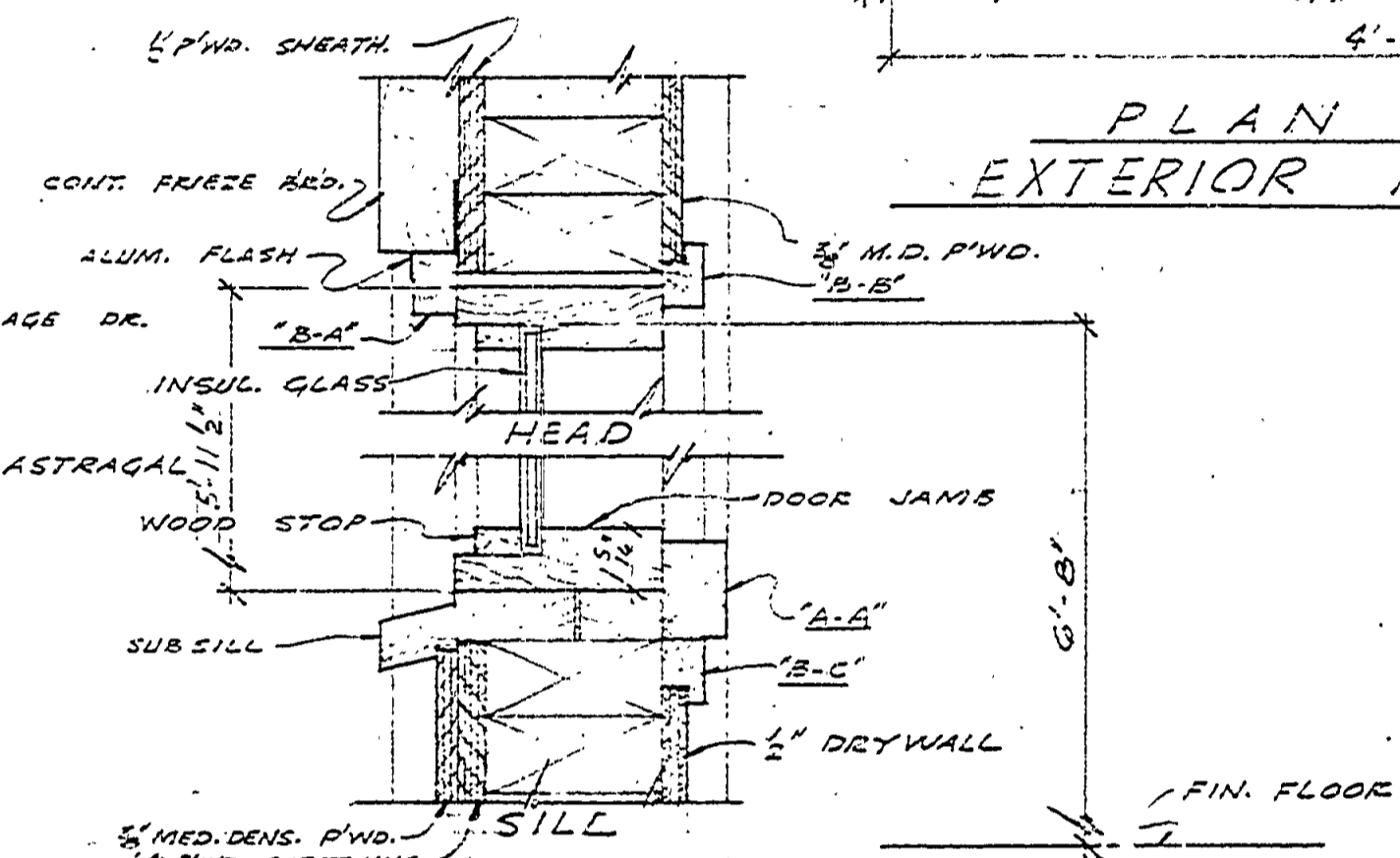
DETAIL GARAGE DOOR



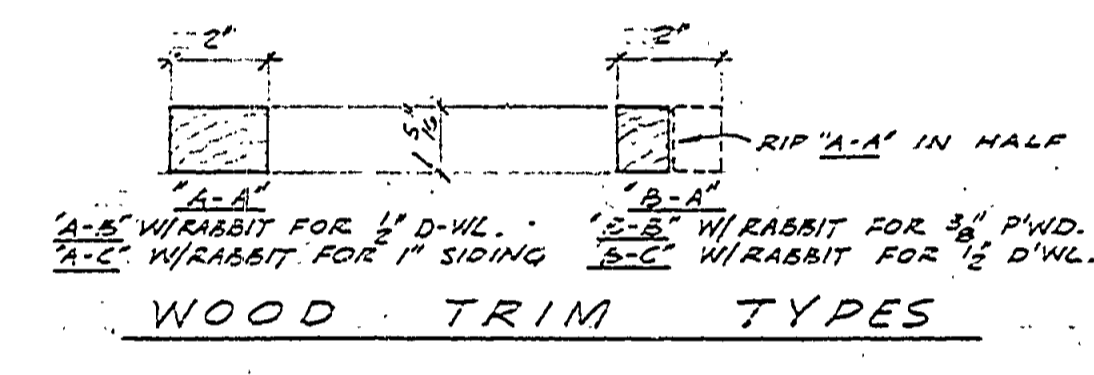
PLAN SECTION EXTERIOR DOOR & SIDELIGHT



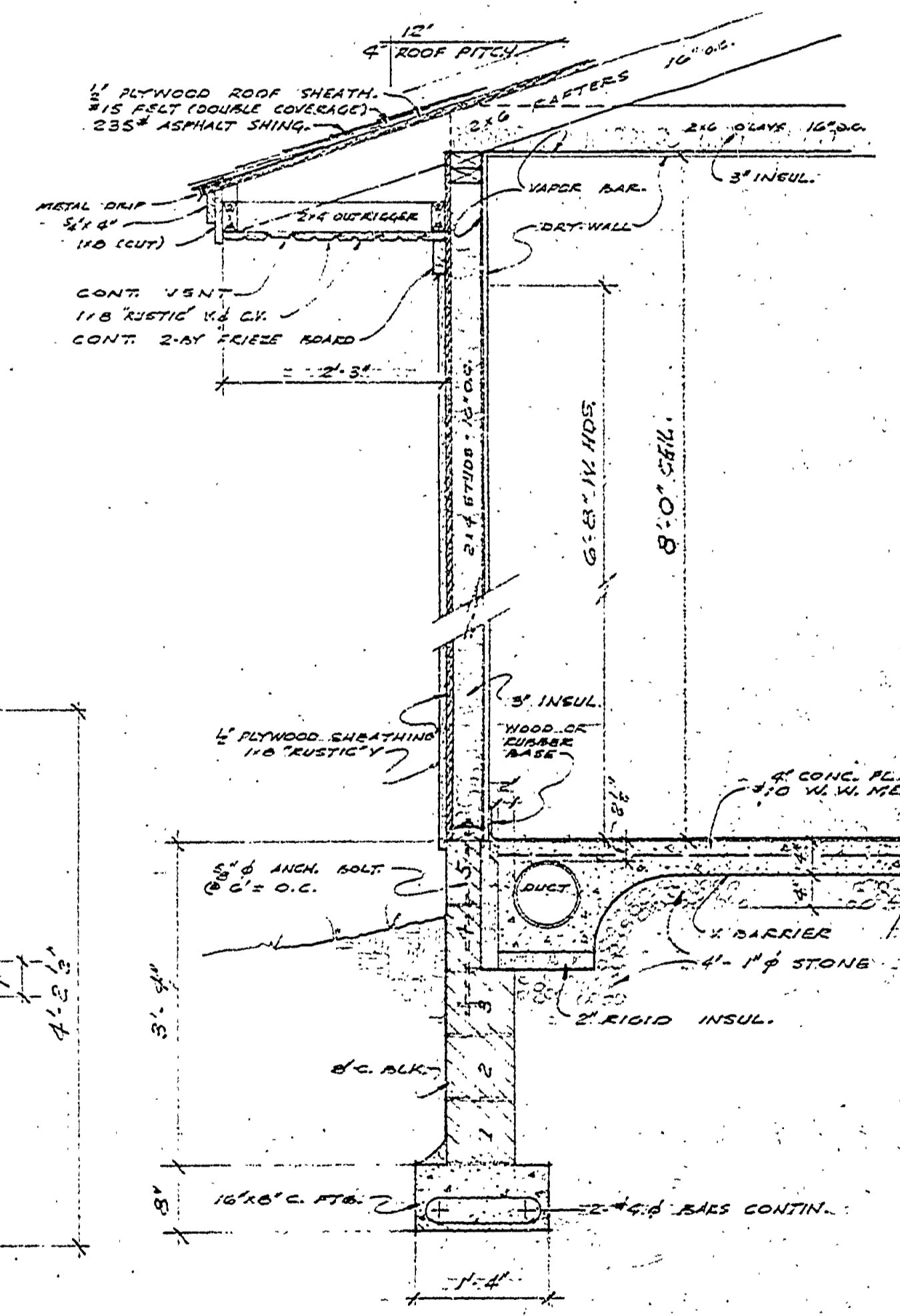
PLAN SECTION (WITH OR WITHOUT MULLION) TYPICAL WINDOW



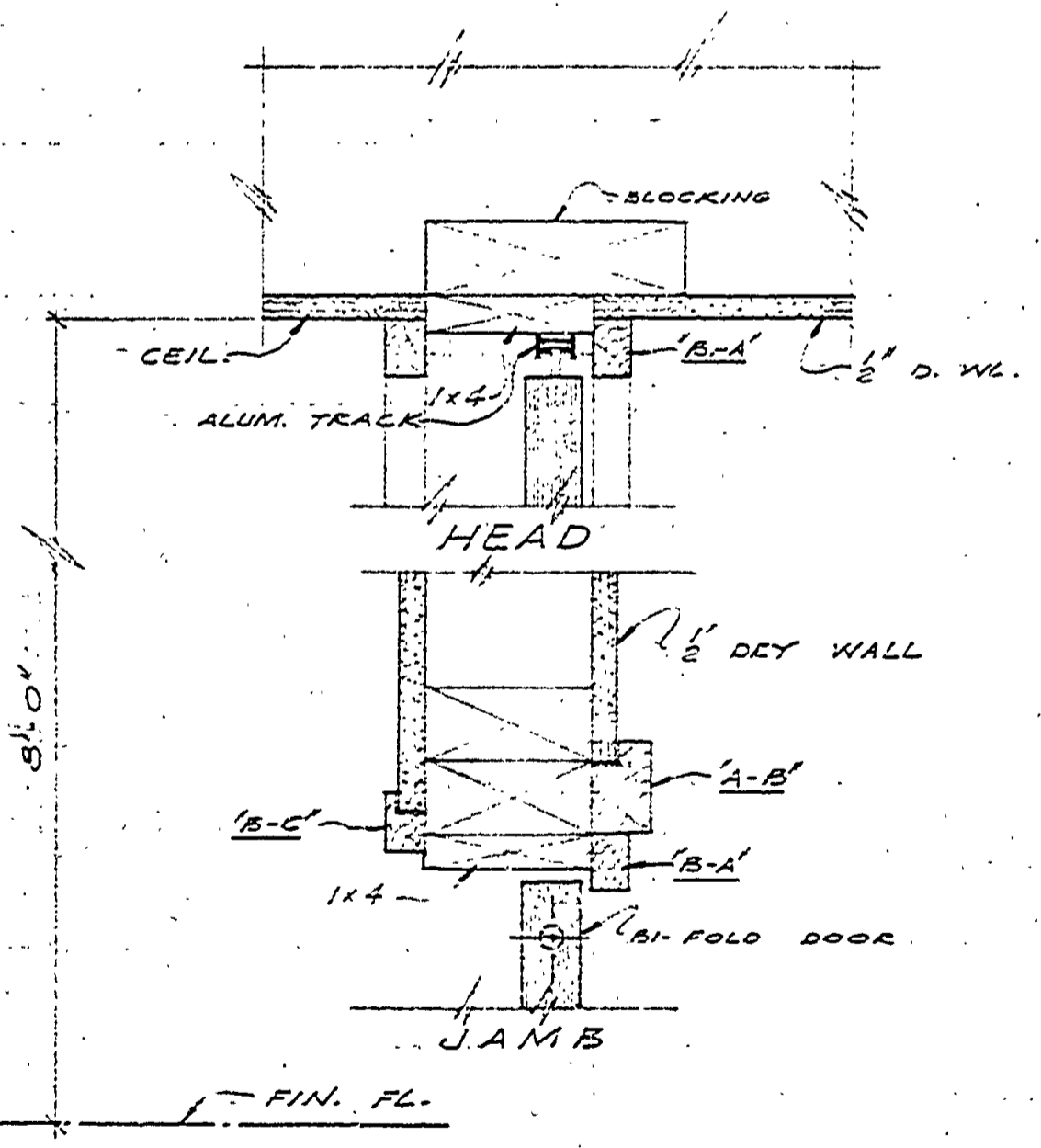
VERTICAL SECTION ENTRANCE SIDELIGHT



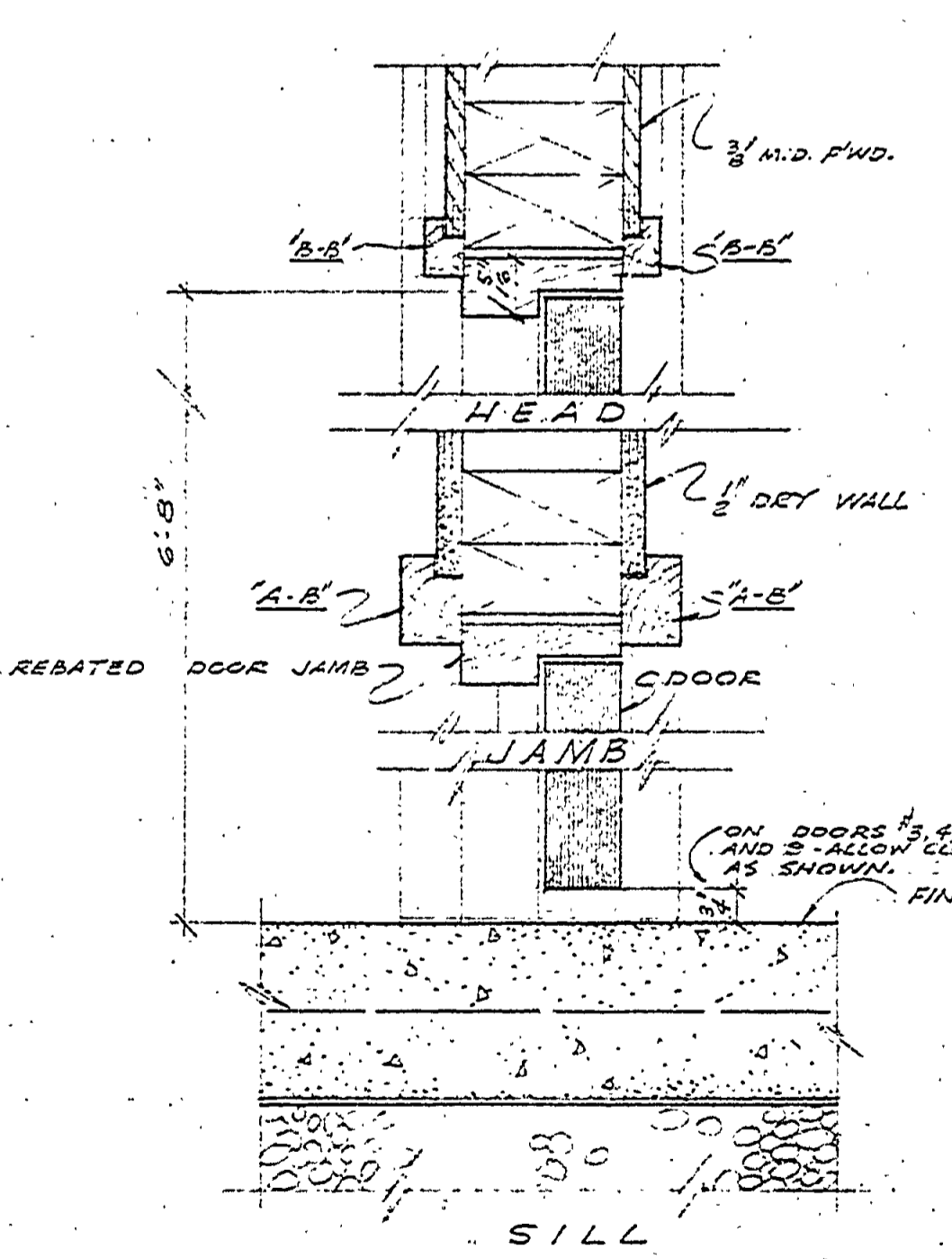
WOOD TRIM TYPES



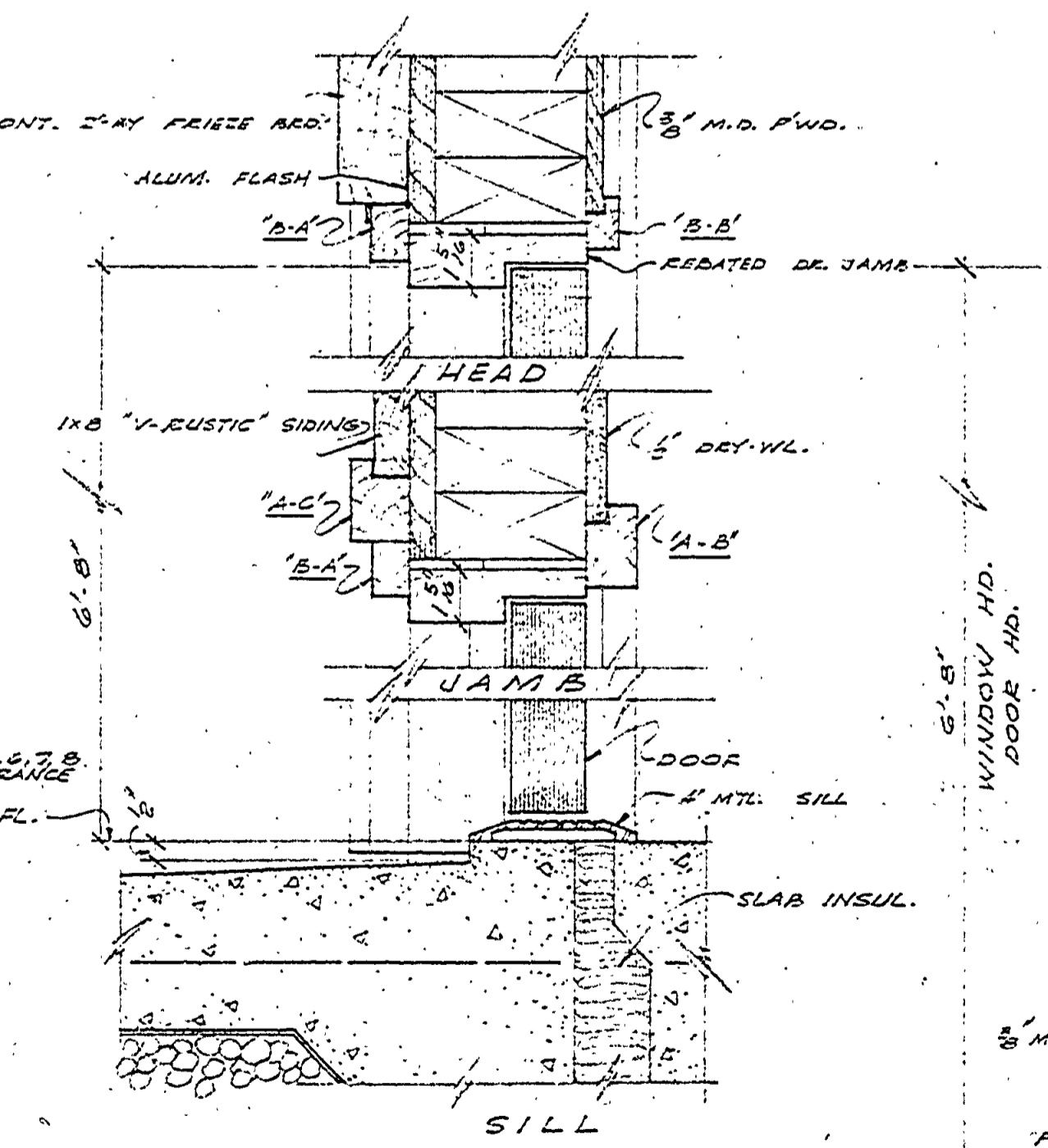
TYPICAL WALL SECTION SCALE = 3/4\"/>



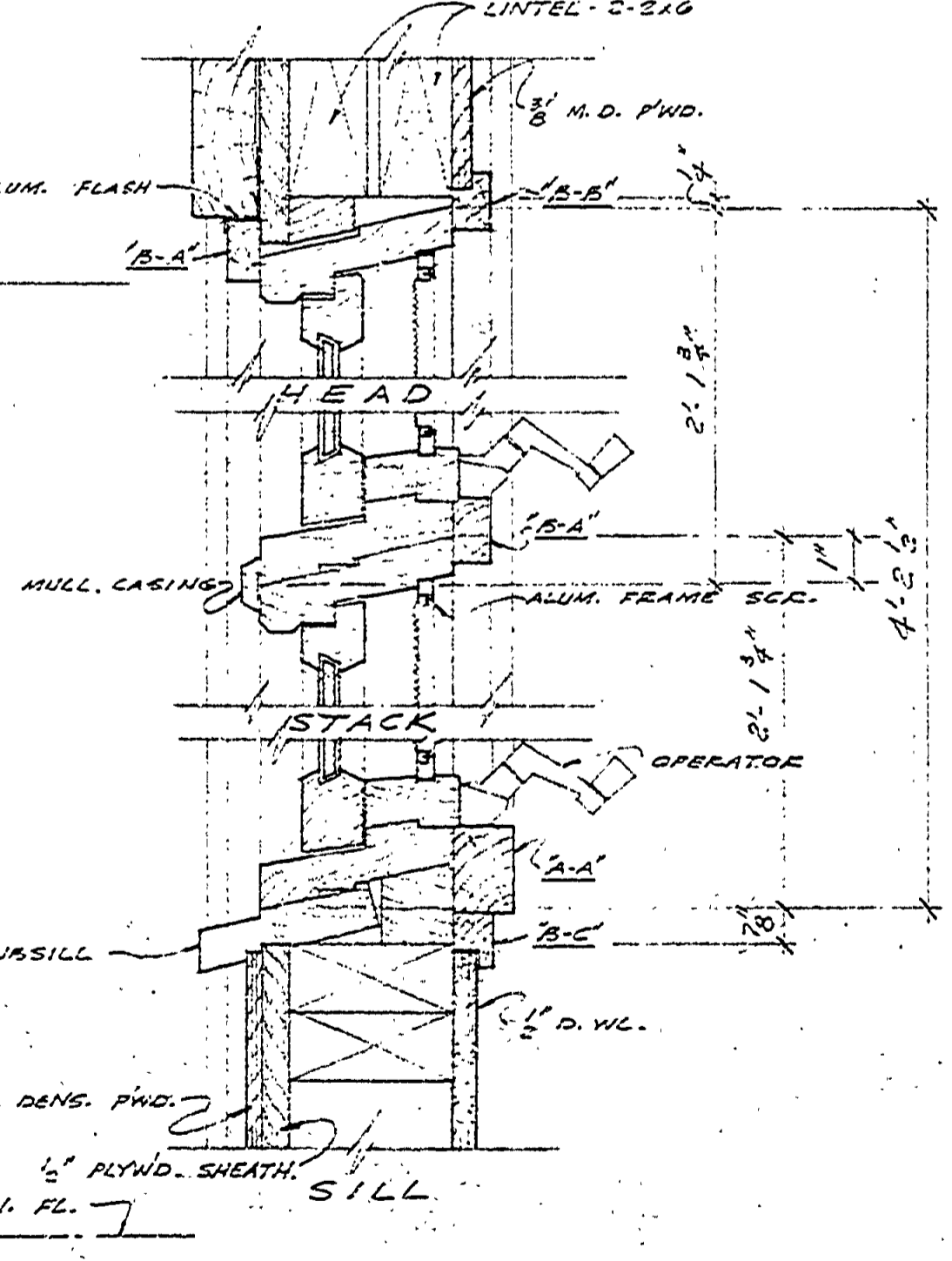
DETAIL TYPICAL CLOSET DOOR



DETAIL TYPICAL INT. DOOR



DETAIL TYPICAL EXT. DOOR



DETAIL TYPICAL WINDOW (ELEVATION SECT.)

MICHIGAN DEPARTMENT OF CONSERVATION		CONSERVATION COMMISSION APPROVAL	
APPROVED: _____	DATE: _____	BY: _____	DATE: _____
DESIGNED BY: _____	DATE: _____	RECOMMENDED FOR APPROVAL: _____	DESIGNER: _____
PROJECT NUMBER: _____	SHEET _____ OF _____	RECOMMENDED FOR APPROVAL: _____	DATE: _____
IN CHARGE OF DESIGN: _____		SECTION APPROVAL: _____	

MICHIGAN DEPARTMENT OF CONSERVATION PARKS AND RECREATION DIVISION

BRIMLEY STATE PARK RESIDENCE (#1-B)

SHEET NO. 4 OF 6 PLAN NO. A-107