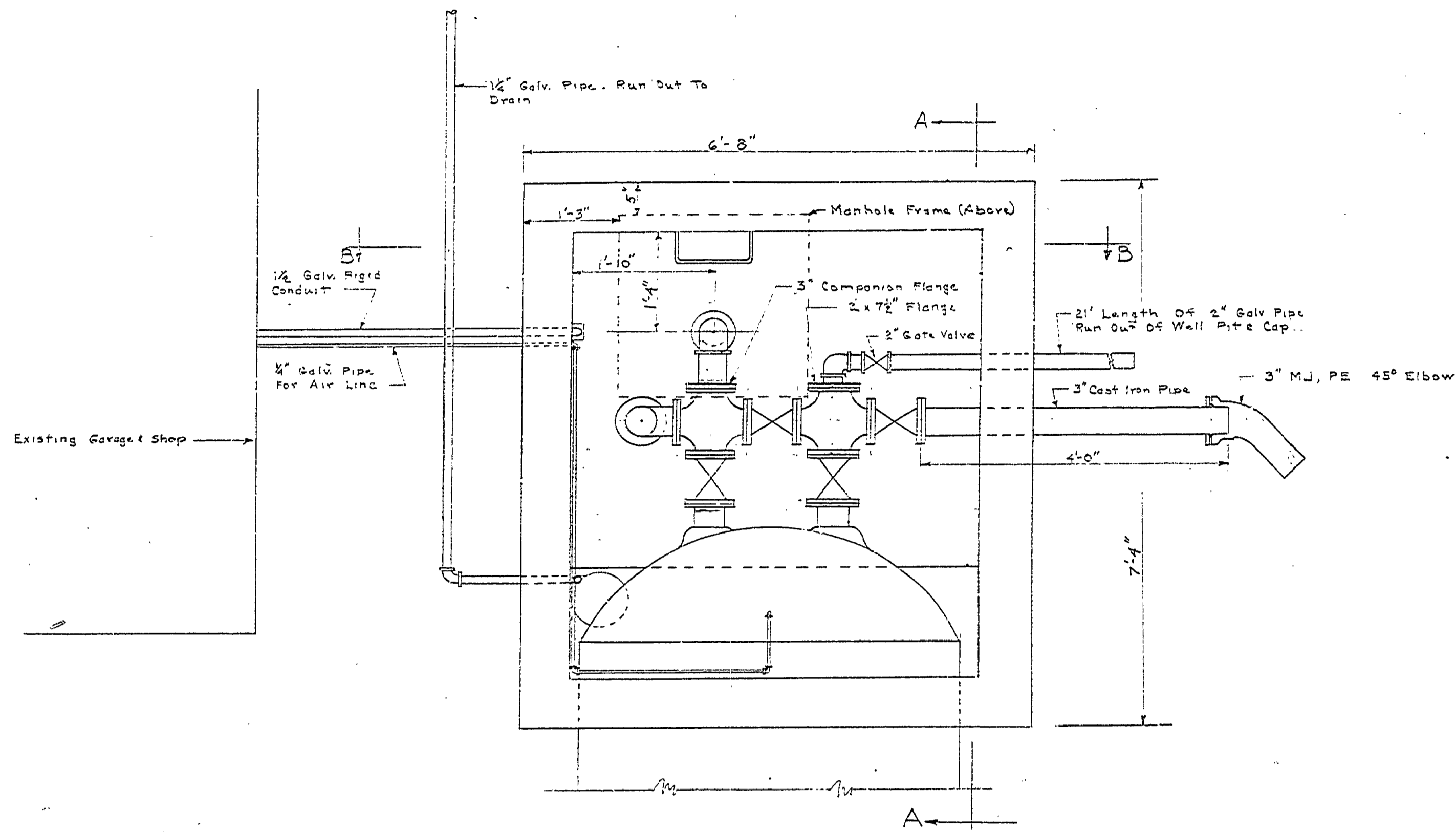


REVISIONS	DATE	BY
4		
5		
6		

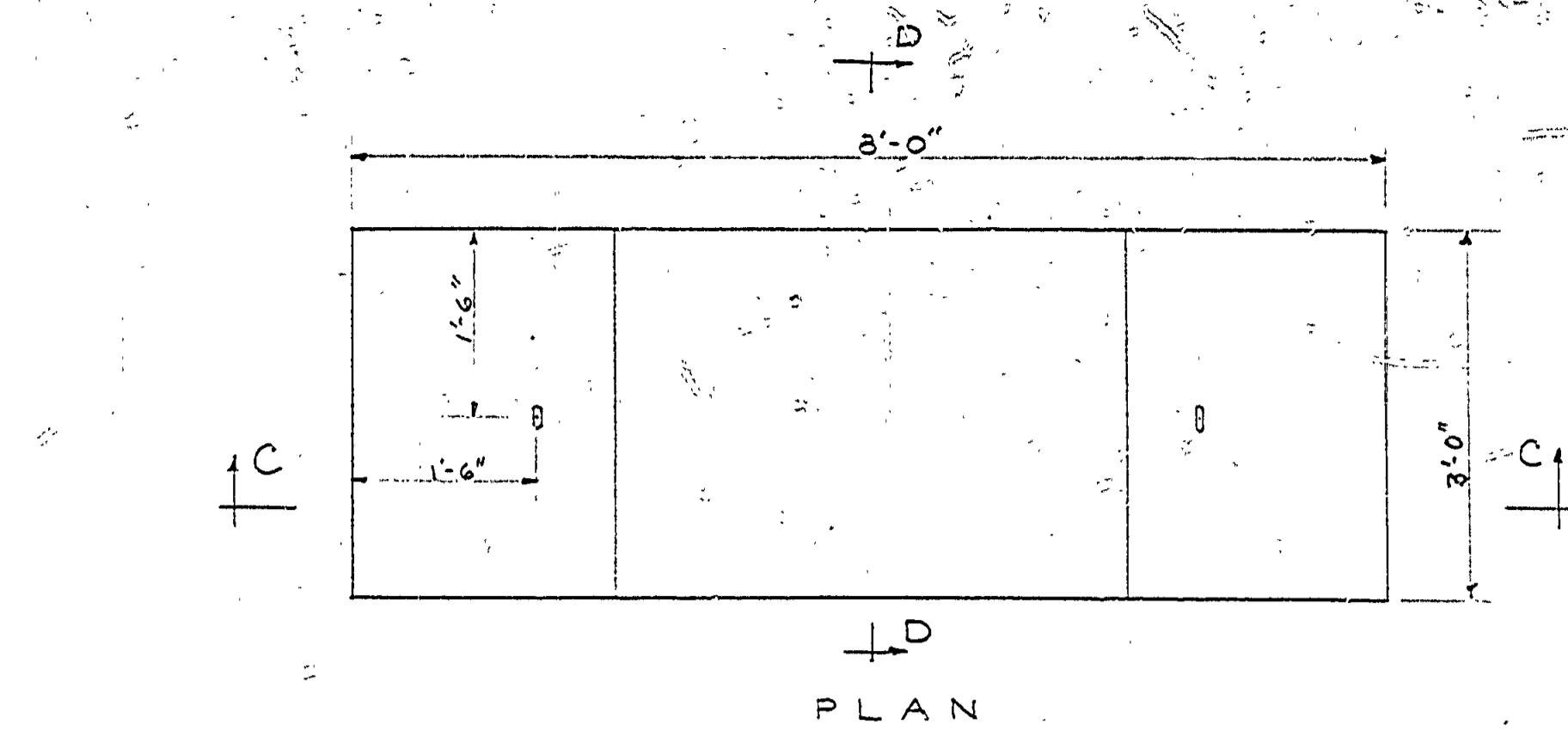
DATE	NO.	DATE	BY
10/15/62	1		
10/16/62	2		
10/17/62	3		

DESIGNED BY	DATE	REVIEWED	DATE	APPROVED
B.H.G.	10/16/62	B.H.G.	10/16/62	
B.H.G.	10/16/62	E.P.P.	10/16/62	
E.J.P.	10/17/62	E.J.P.	10/17/62	

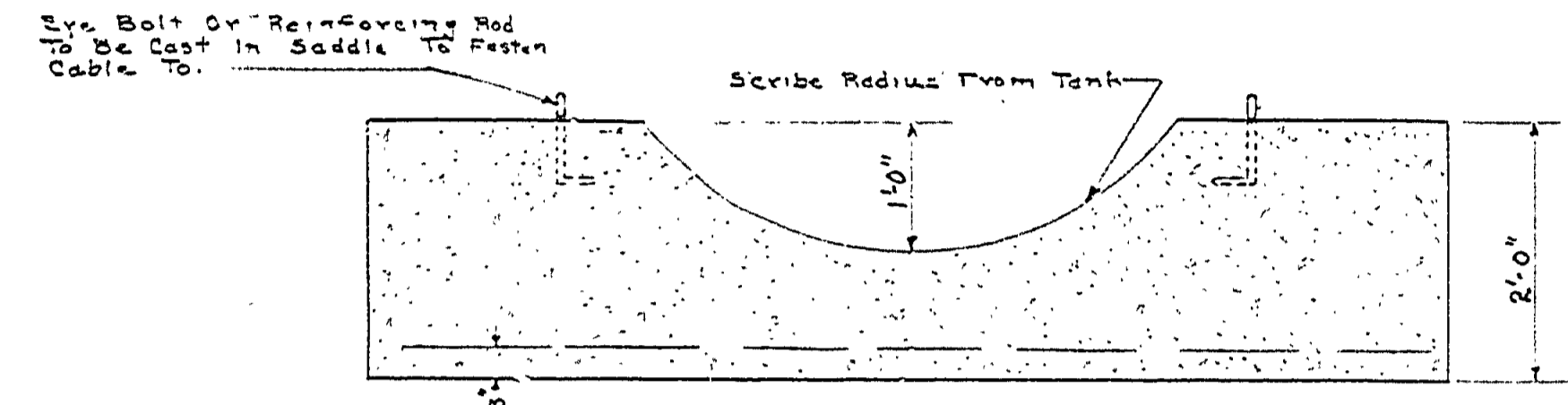
DESIGNED BY	ARCHITECTURAL	ENGINEERING	LANDSCAPE



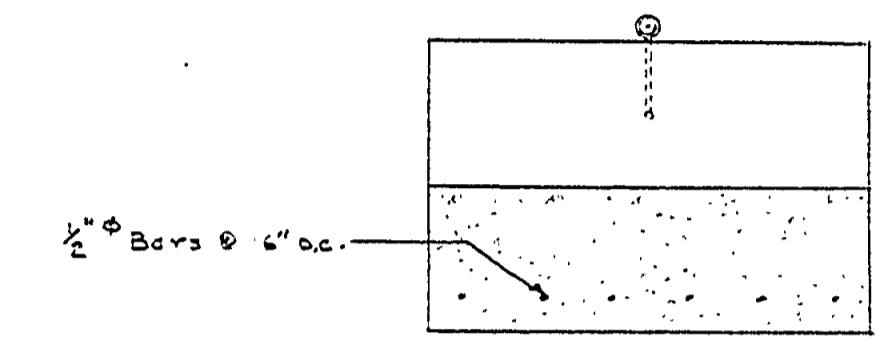
PLAN WITH TOP REMOVED
Scale 3/8" = 1'-0"



PLAN

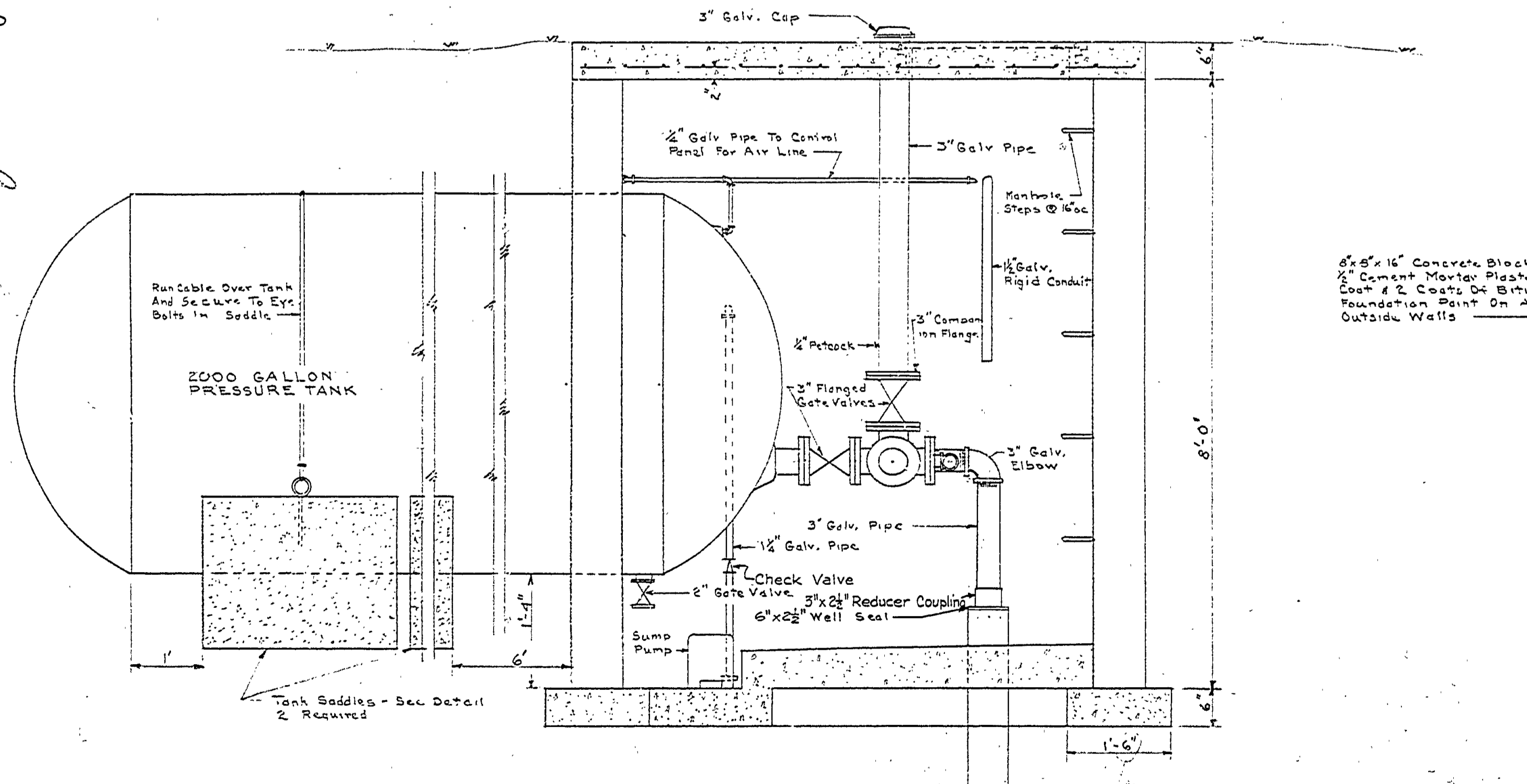


SECTION C-C

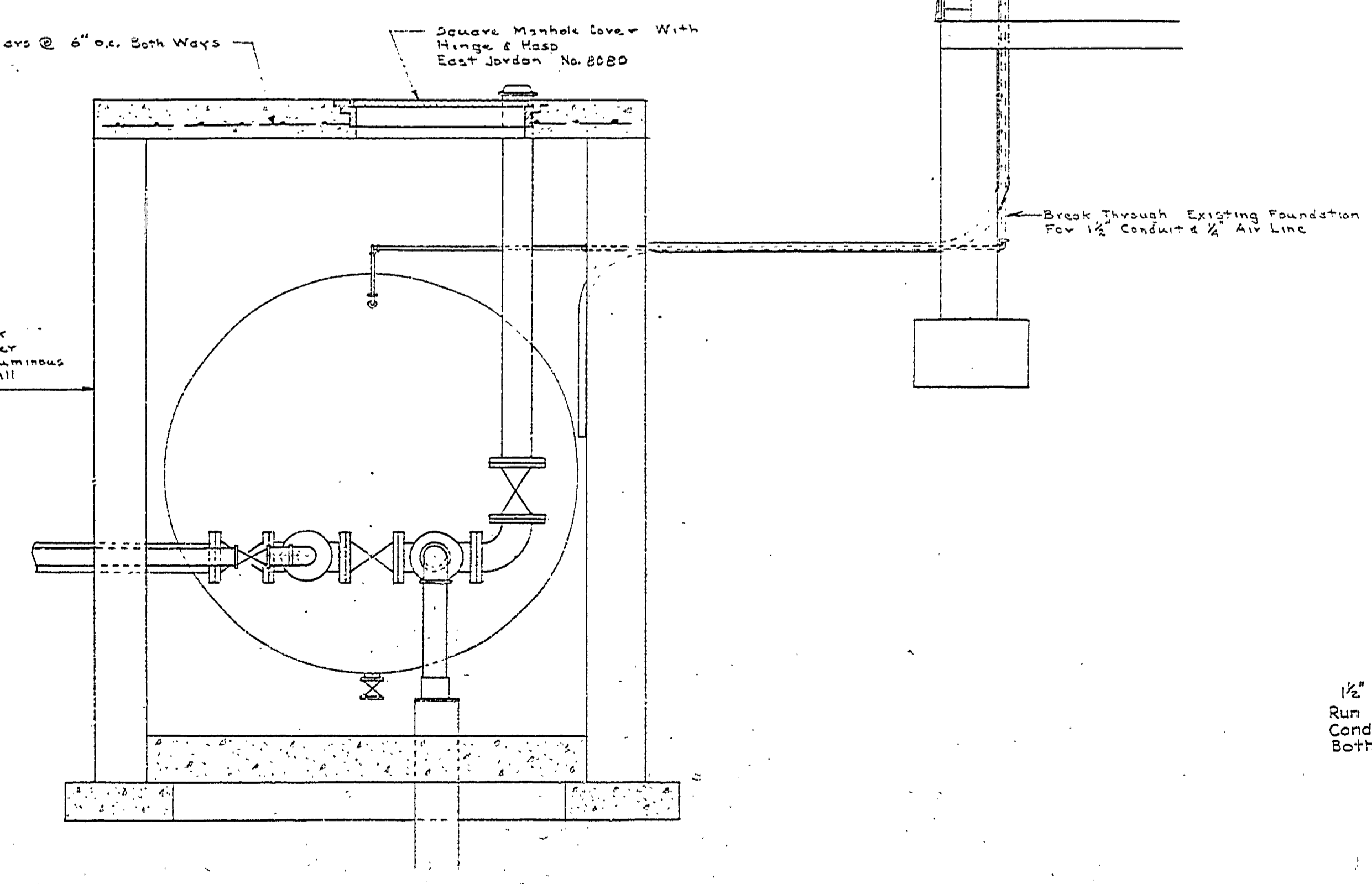


SECTION D-D

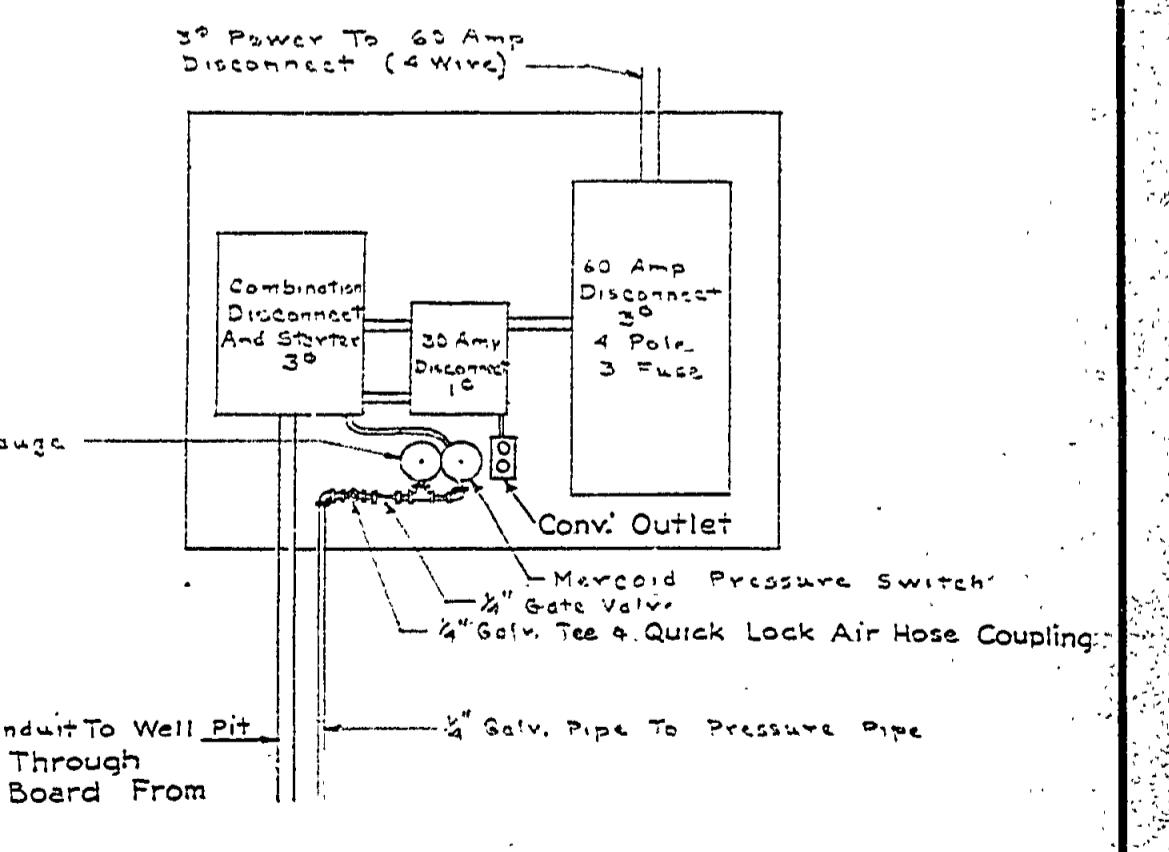
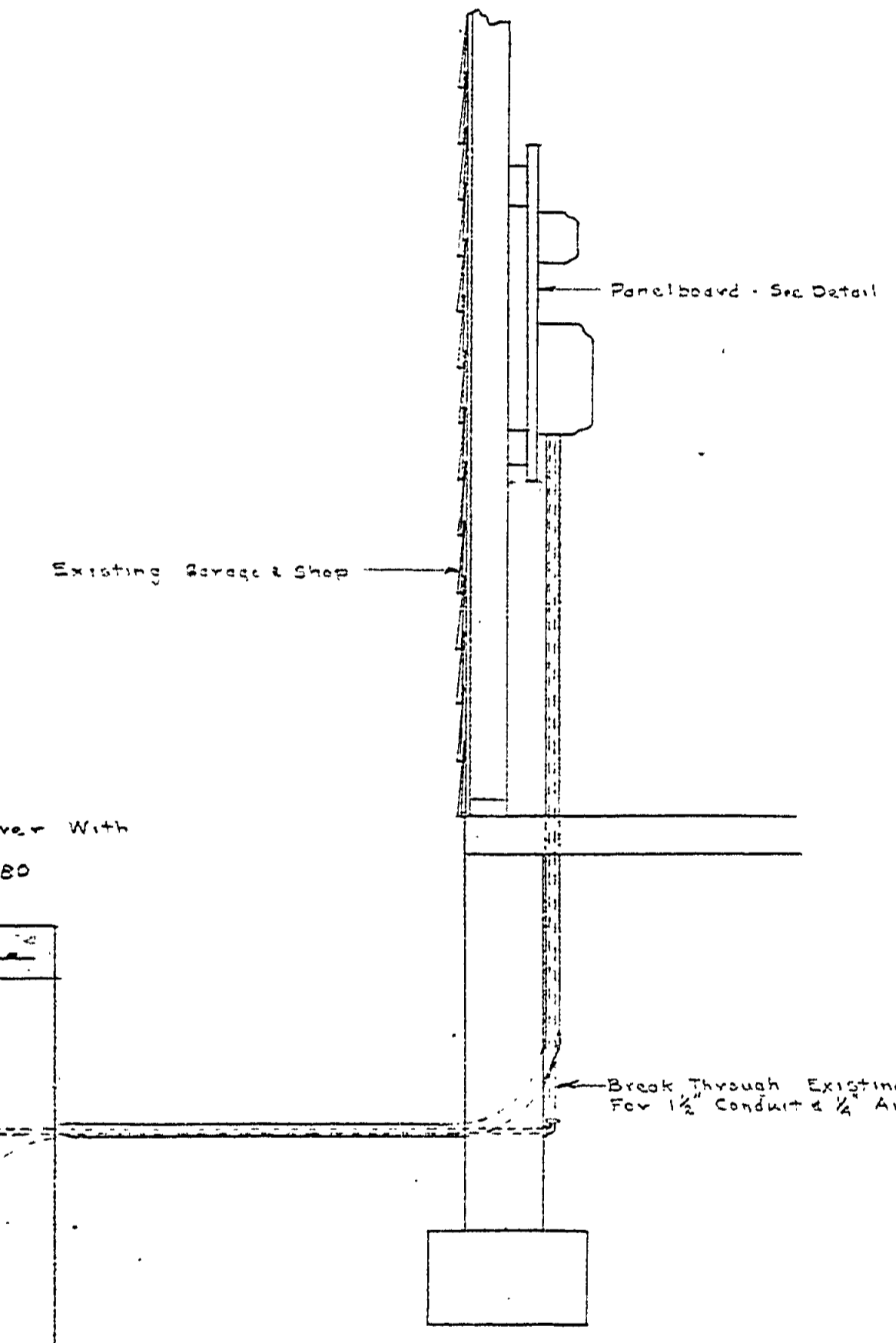
TANK SADDLE DETAIL (2 REQ'D)



SECTION A-A
Scale 3/8" = 1'-0"



SECTION B-B
Scale 3/8" = 1'-0"



PANEL BOARD DETAIL
Not To Scale