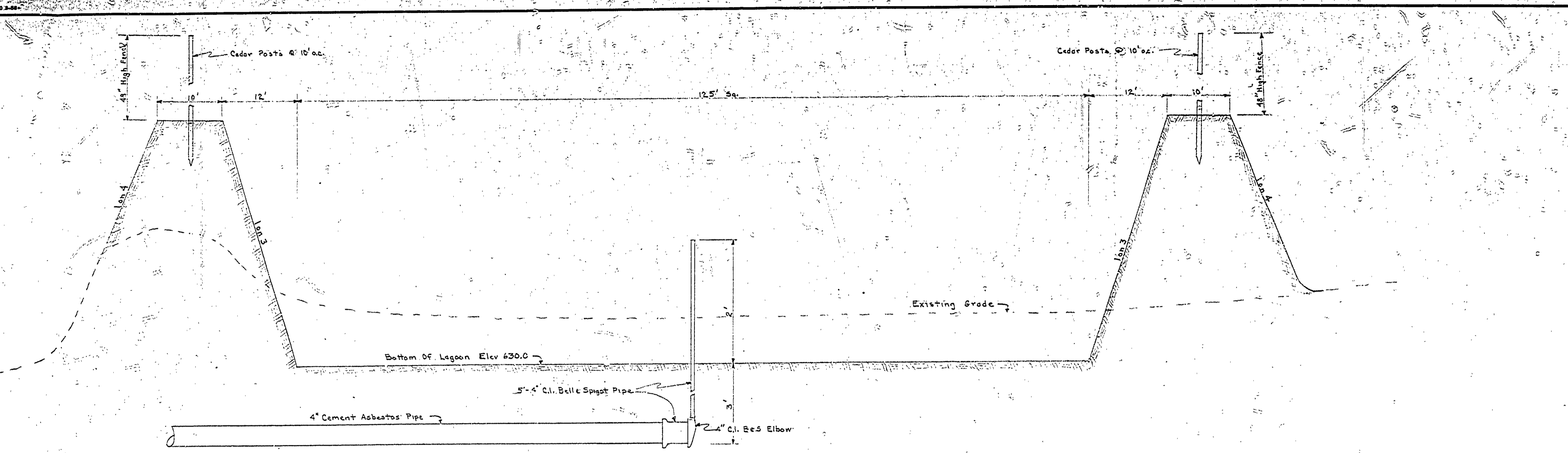
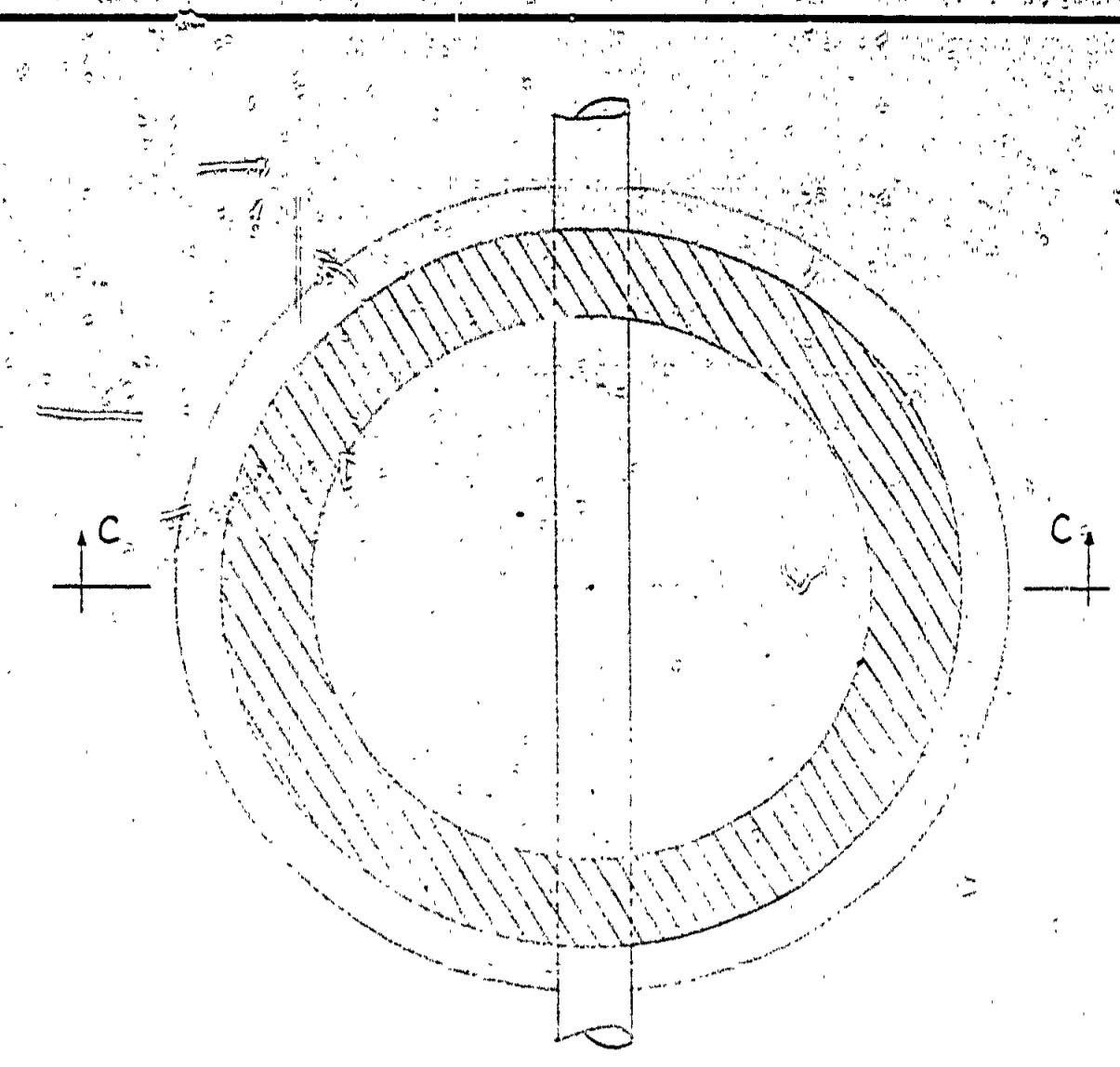


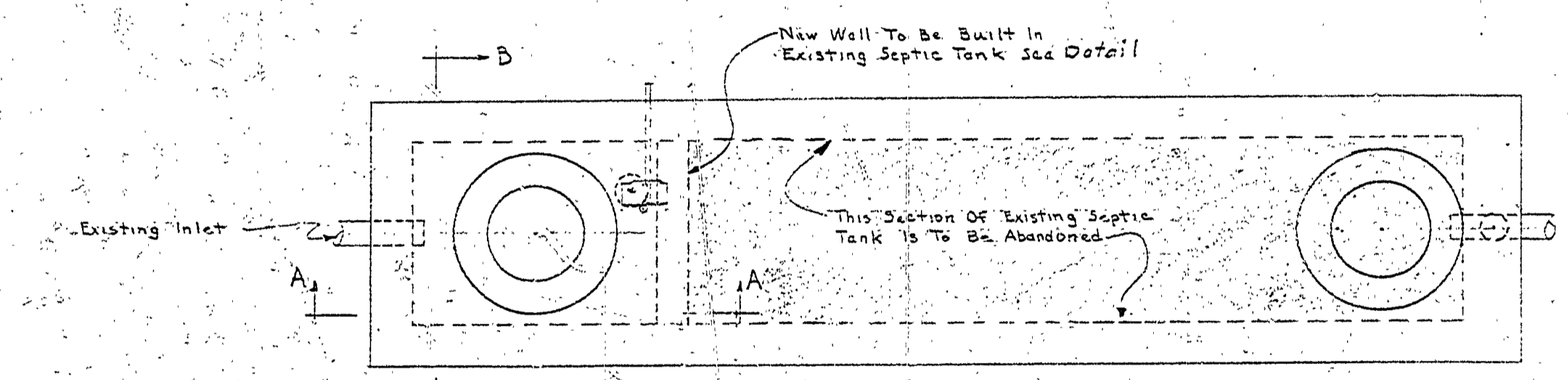
DATE	BY	REVISIONS
12-23-57	J.J.R.	1. 12-23-57 (1) High Pumping Well Discharge
12-23-57	J.J.R.	2. 12-23-57 (2) High Pumping Well Discharge
12-23-57	J.J.R.	3. 12-23-57 (3) High Pumping Well Discharge
12-23-57	J.J.R.	4. 12-23-57 (4) High Pumping Well Discharge
12-23-57	J.J.R.	5. 12-23-57 (5) High Pumping Well Discharge
12-23-57	J.J.R.	6. 12-23-57 (6) High Pumping Well Discharge



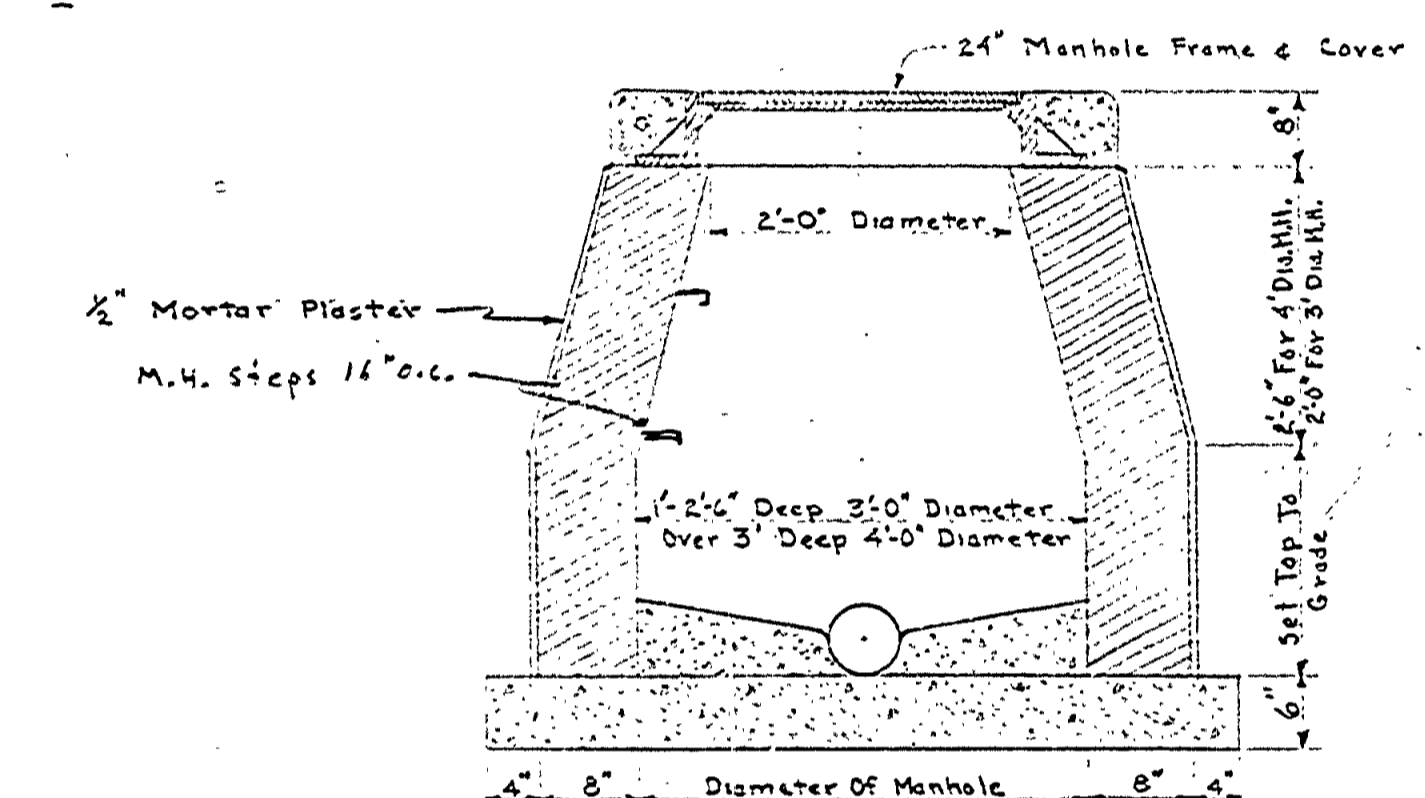
LAGOON DETAILS
Scale: Hor. 1" = 10'
Ver. 1" = 1'



PLAN SECTION

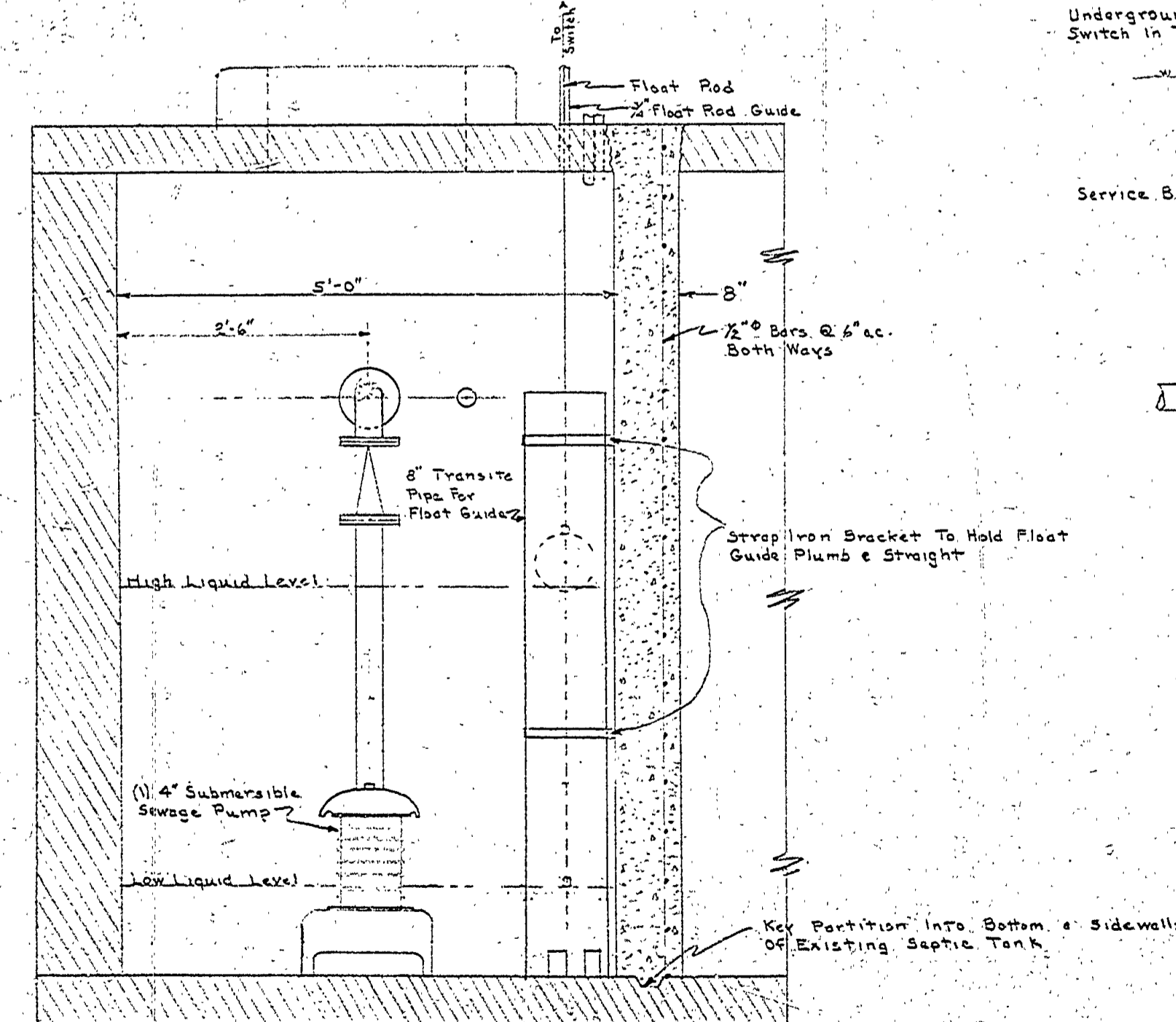


PLAN
Scale 3/8" = 1'-0"

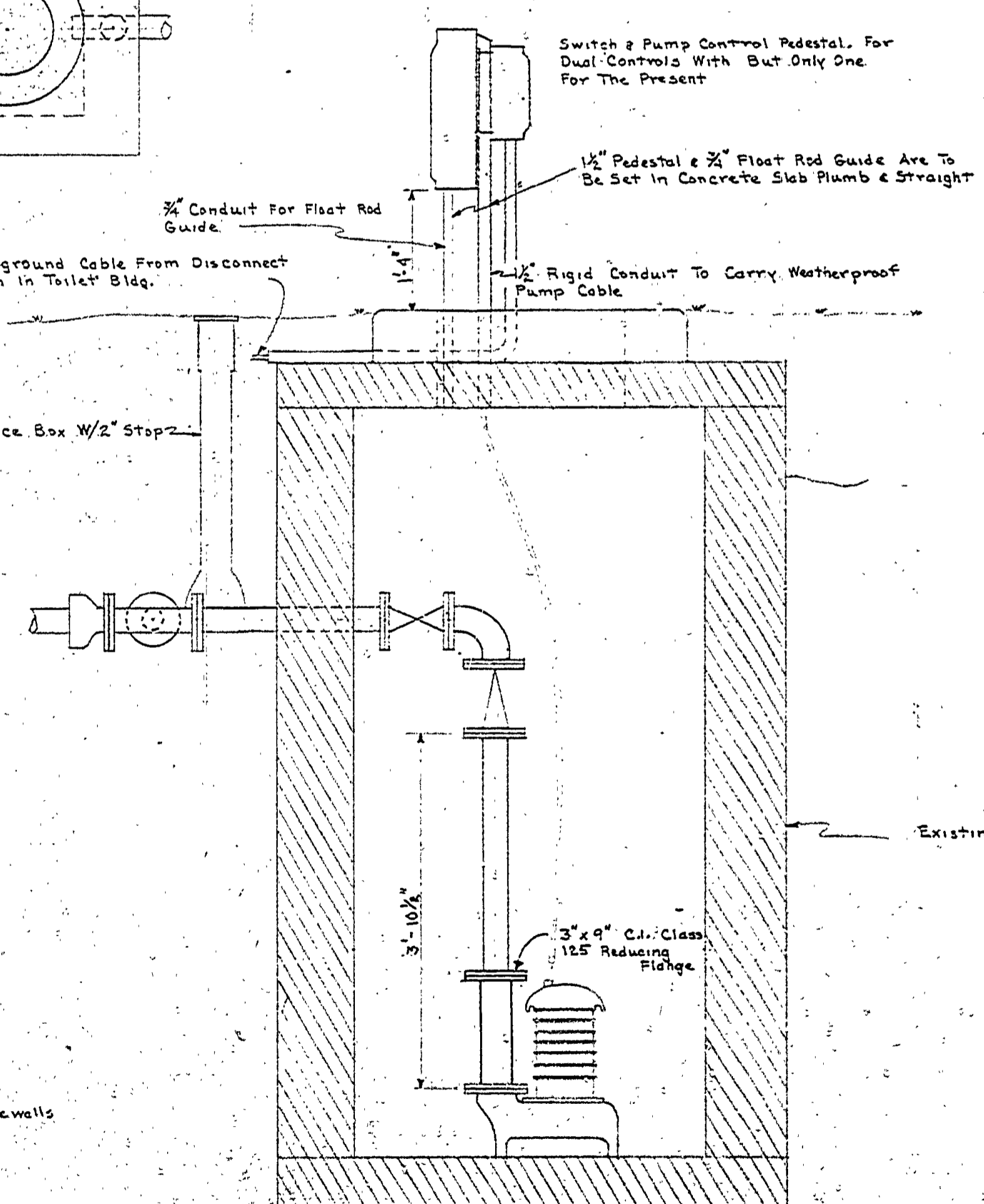


SECTION C-C
TYPICAL MANHOLE
Not To Scale

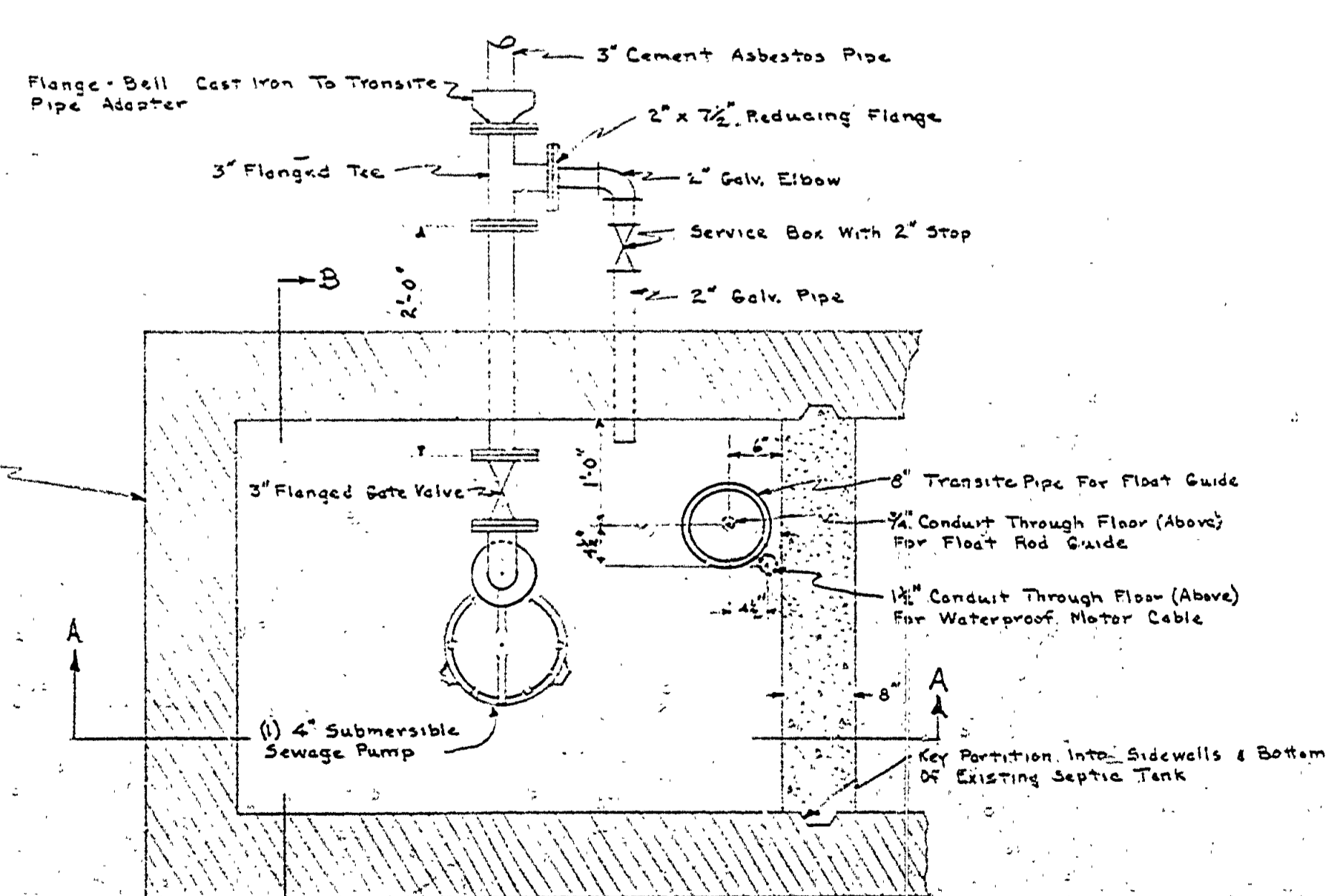
Use Brick, Concrete Manhole Blocks or Precast Manhole Units. Apply 1/2" Mortar Plaster To Outside Walls. Place Manhole Steps @ 16" o.c.



SECTION A-A
Scale 3/8" = 1'-0"



SECTION B-B
Scale 3/8" = 1'-0"



PLAN SECTION
Scale 3/8" = 1'-0"

DETAILS FOR CONVERTING BATHHOUSE SEPTIC TANK TO A PUMP STATION