

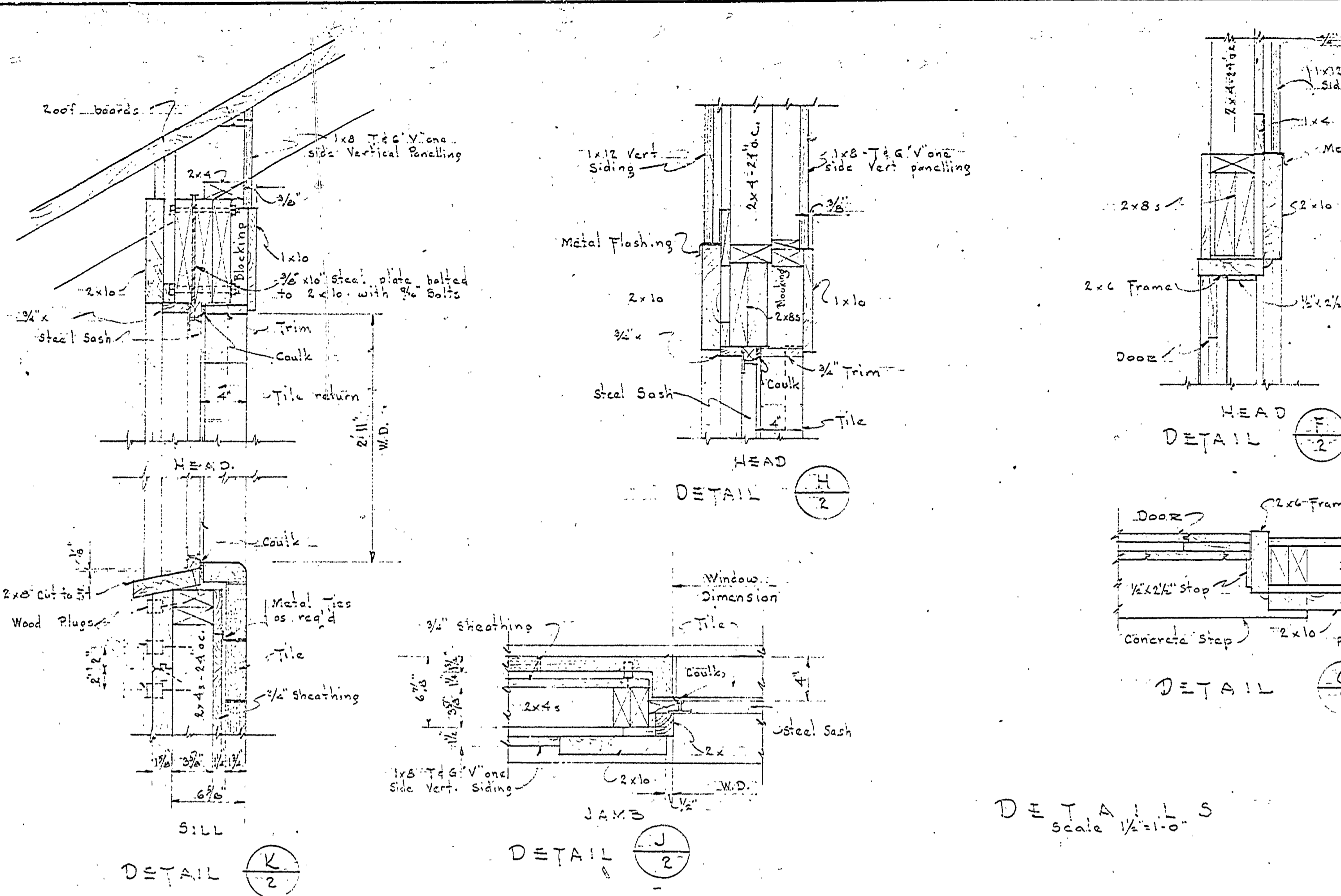
NO.	DATE	BY	REVISIONS		
			NO.	DATE	BY
1			4		
2			5		
3			6		

REVIEWED BY SECTIONS	DATE	APPROVED BY
ARCHITECTURAL	4-4-57	H.C.M.
ENGINEERING	4-9-57	J.I.R.
LANDSCAPE	4-4-57	J.I.R.

DATE	CHECKED BY	TRACED BY	DRAWN BY
	J.W.F.	J.W.F.	J.W.F.



DETAILS  
Scale 1/2"=1'-0"

