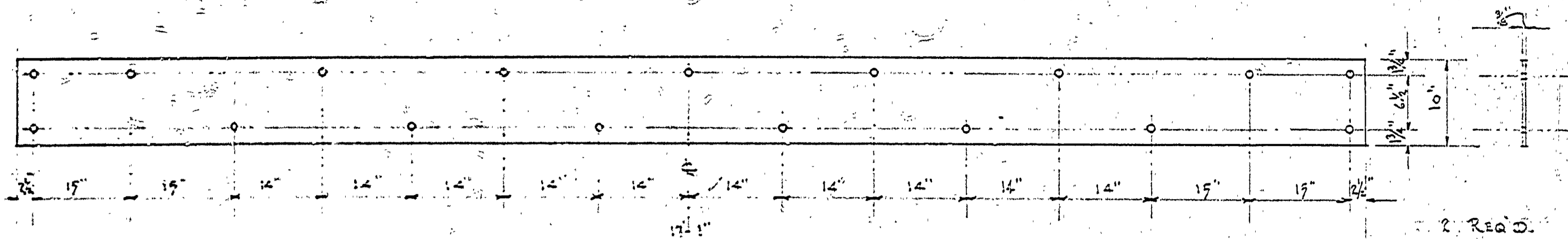
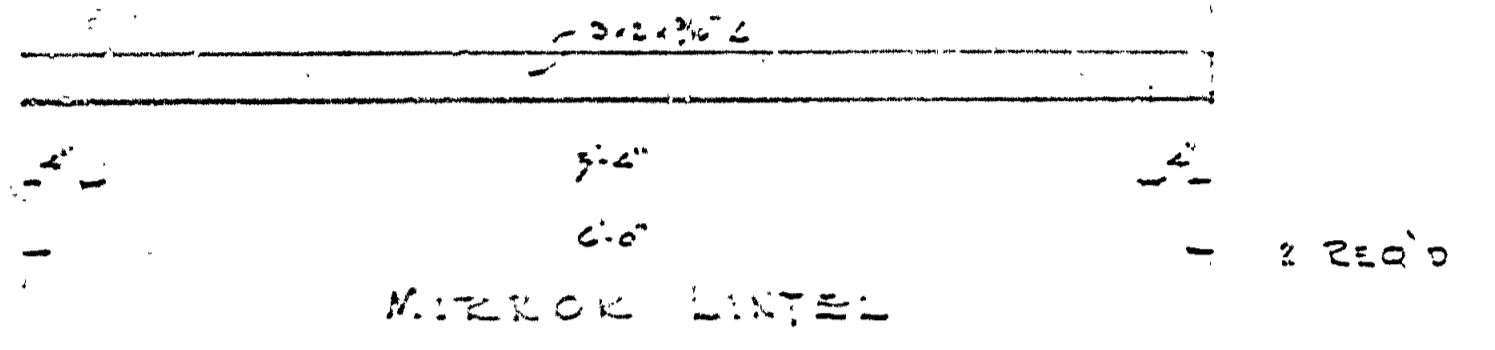


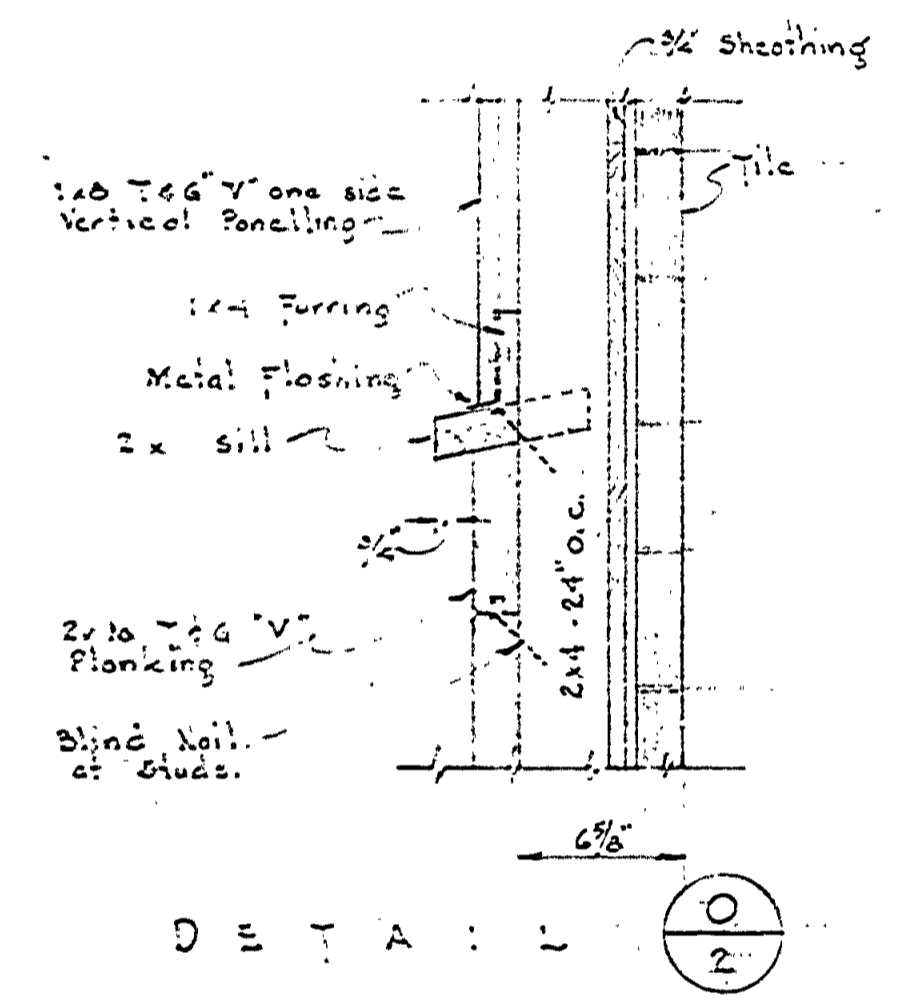
DATE	BY	REVISIONS	NO.	DATE	BY	APPROVED BY	DATE	REVIEWED BY SECTIONS	DATE
		4	1			<i>H.C. [Signature]</i>	1-4-57	ARCHITECTURAL	1-4-57
		5	2			ASSISTANT CHIEF IN CHARGE	1-4-57	ENGINEERING	1-4-57
		6	3			OF DESIGN	1-4-57	LANDSCAPE	1-4-57
DRAWN BY	CHECKED BY	DATE							
J.M.T.K.	J.M.T.K.								



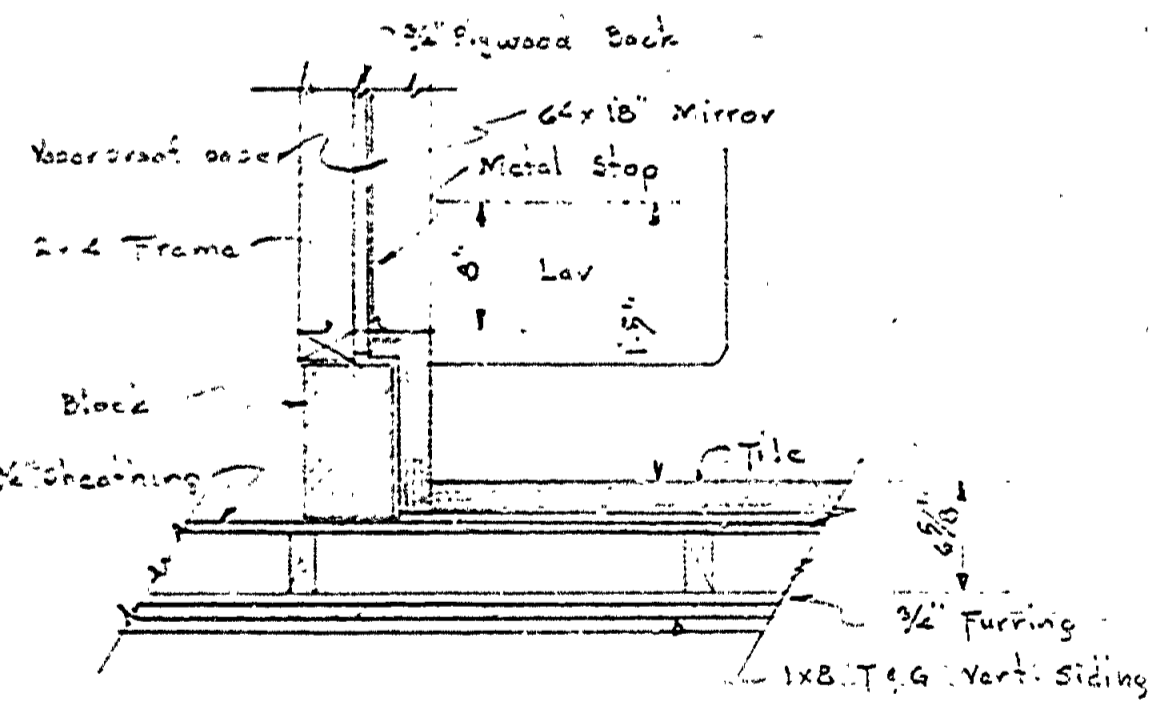
3/8" x 12" x 12"
STEEL PLATE
PATCH AS SHOWN



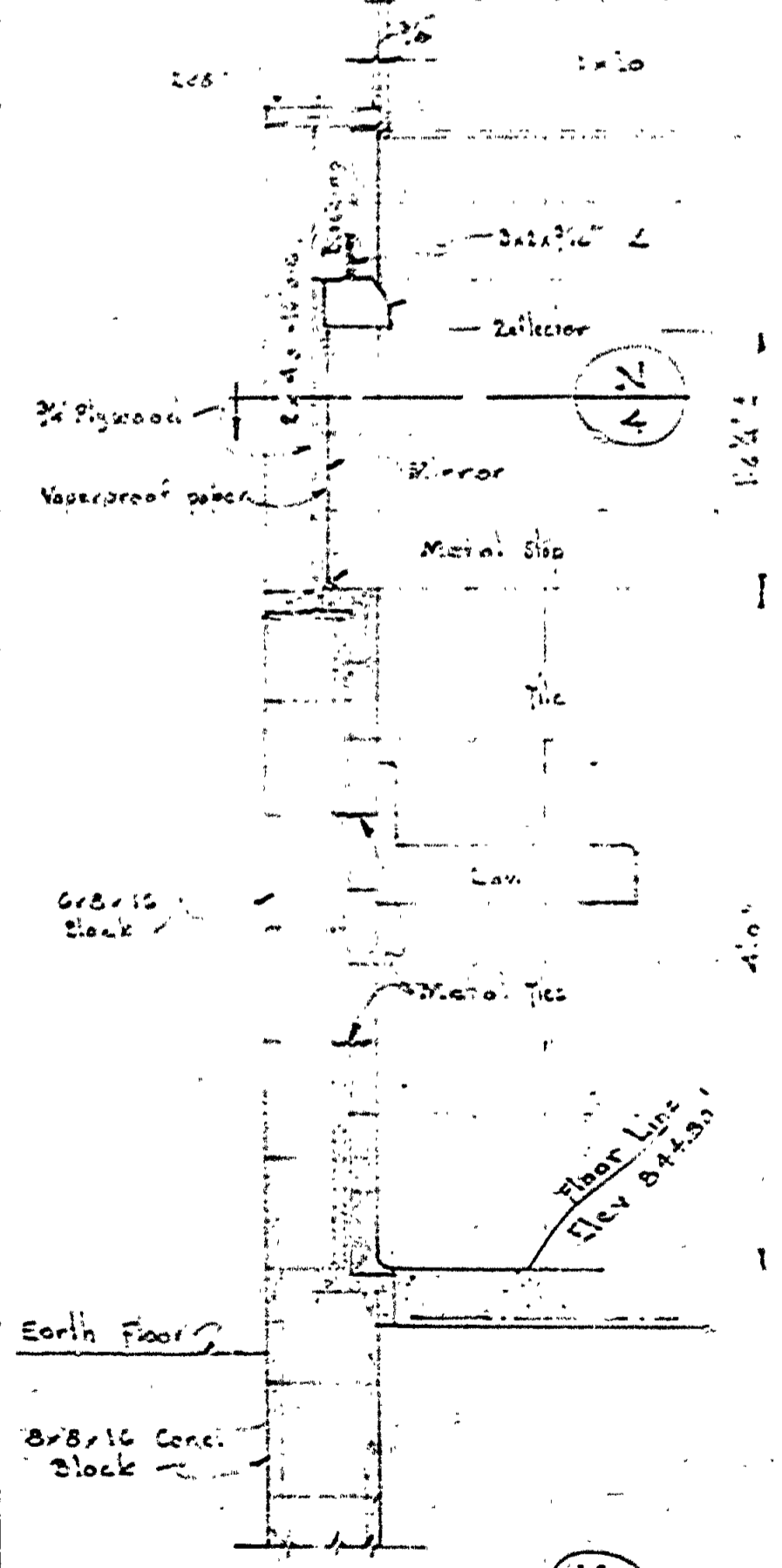
MIRROR LINTEL



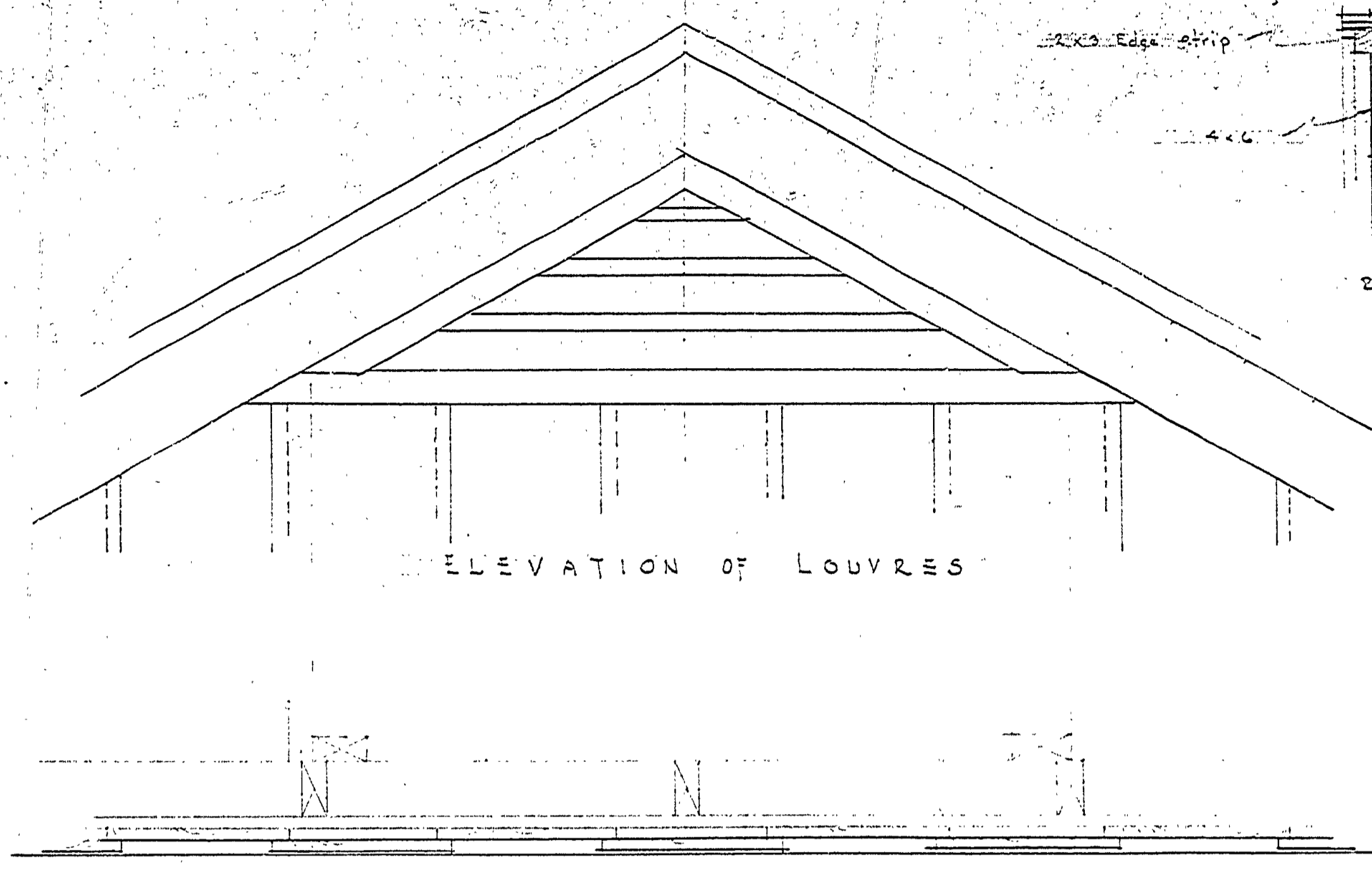
DETAIL 0/2



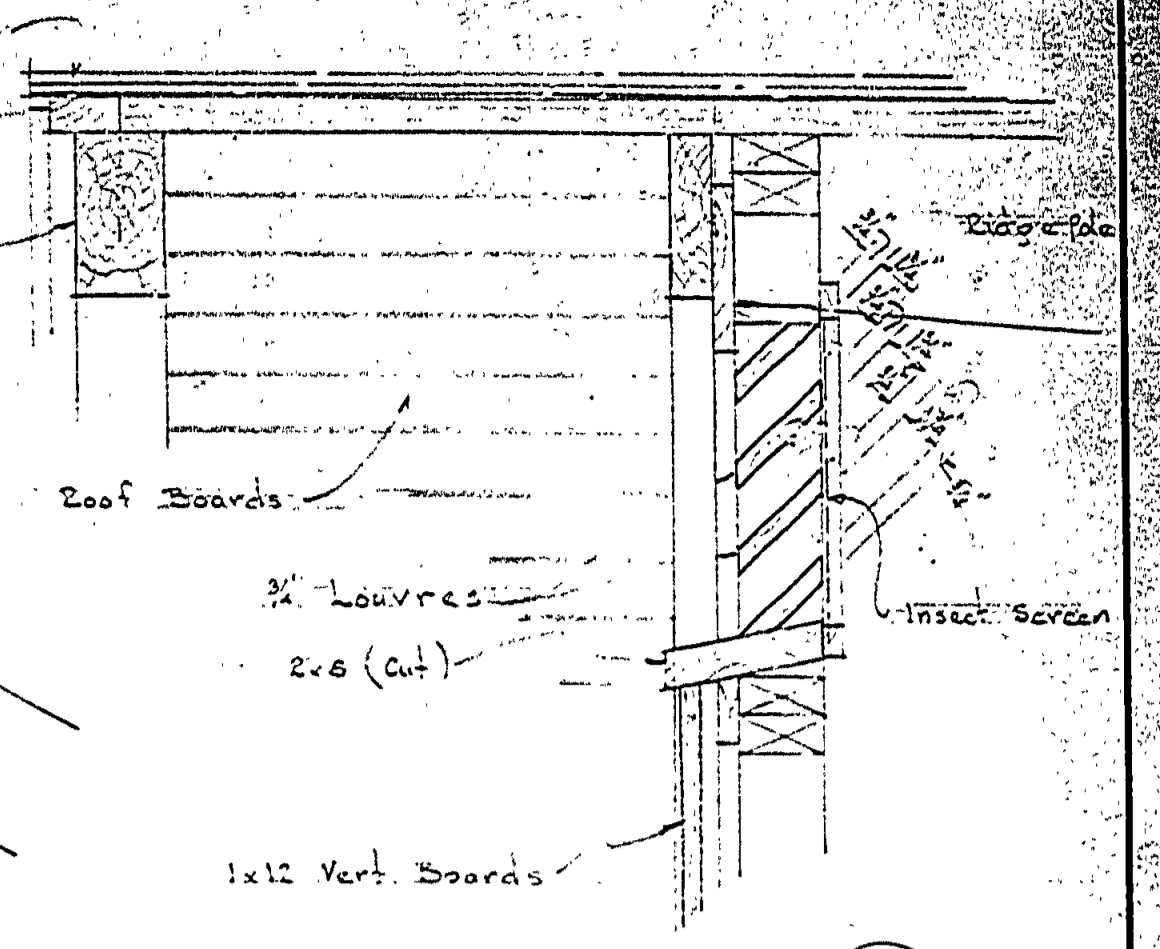
DETAIL 10/2



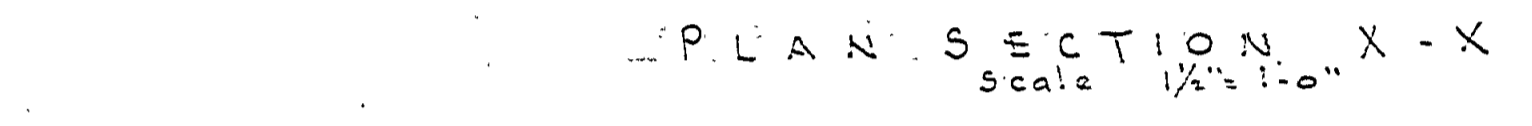
DETAIL 11/3



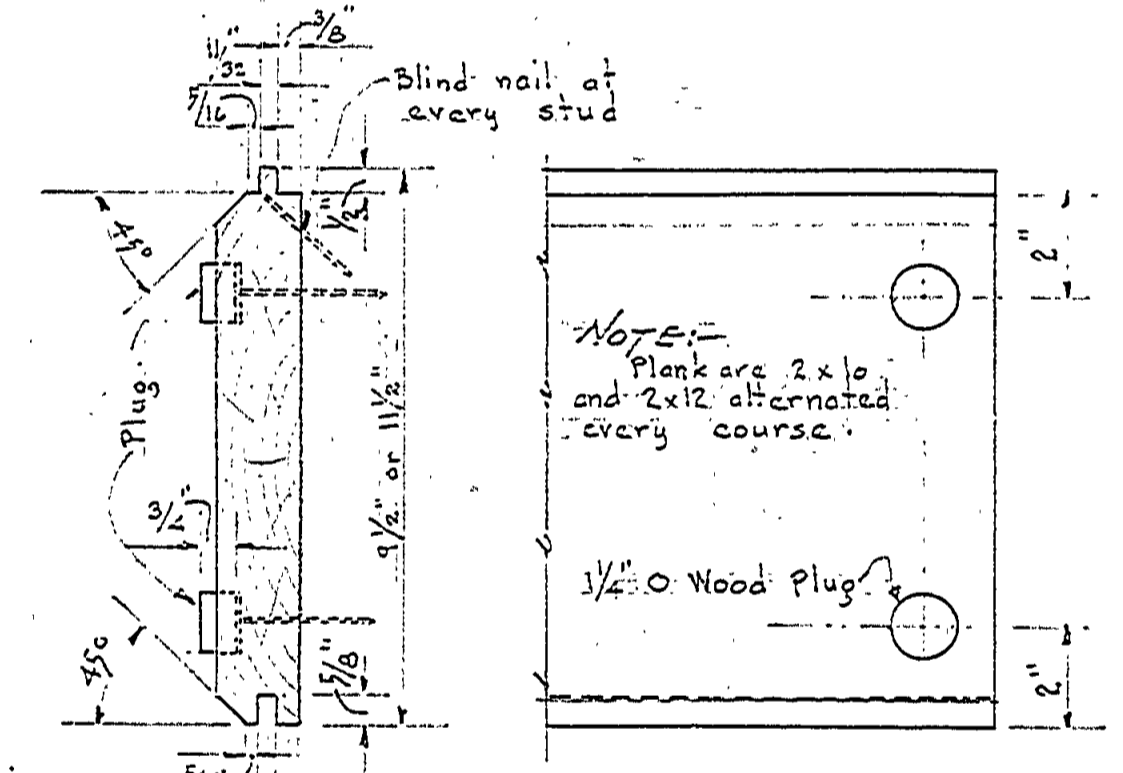
ELEVATION OF LOUVRES



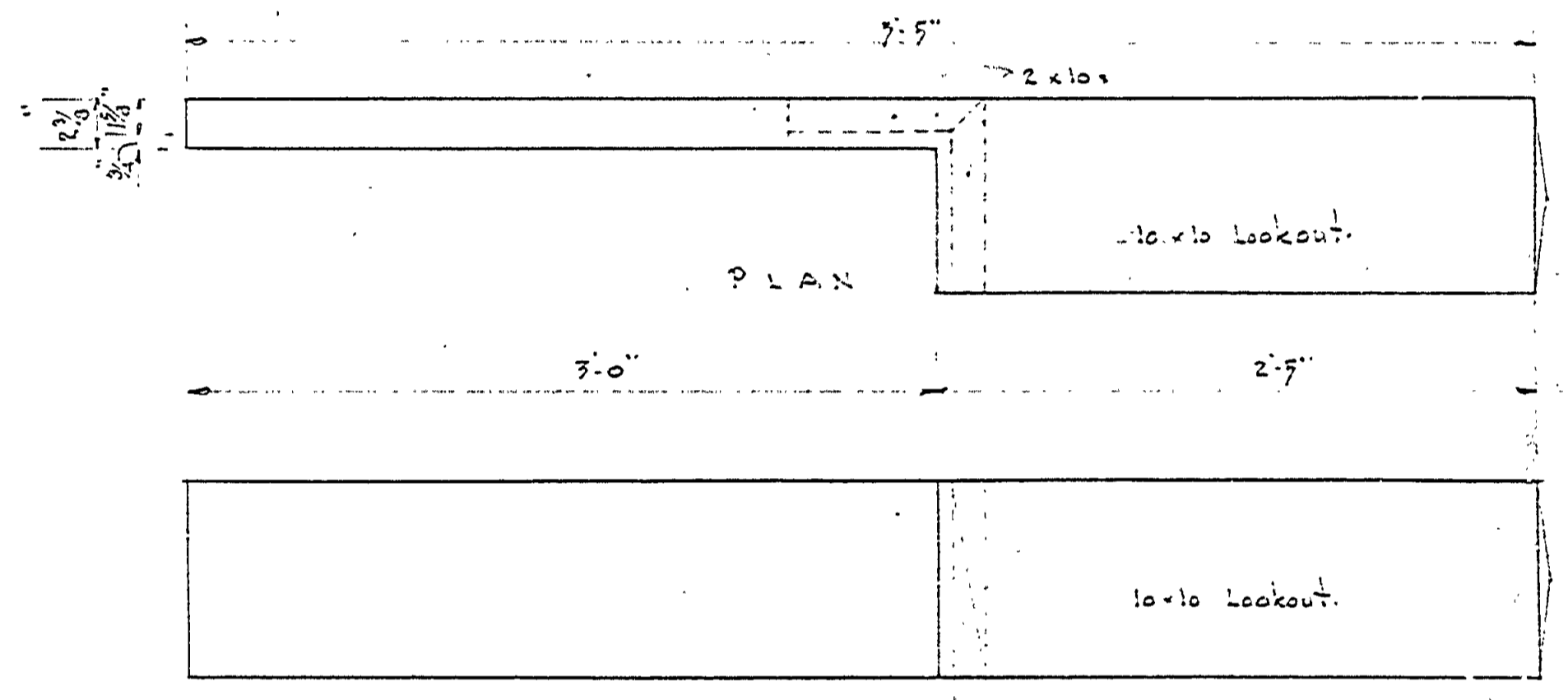
DETAIL 1/2



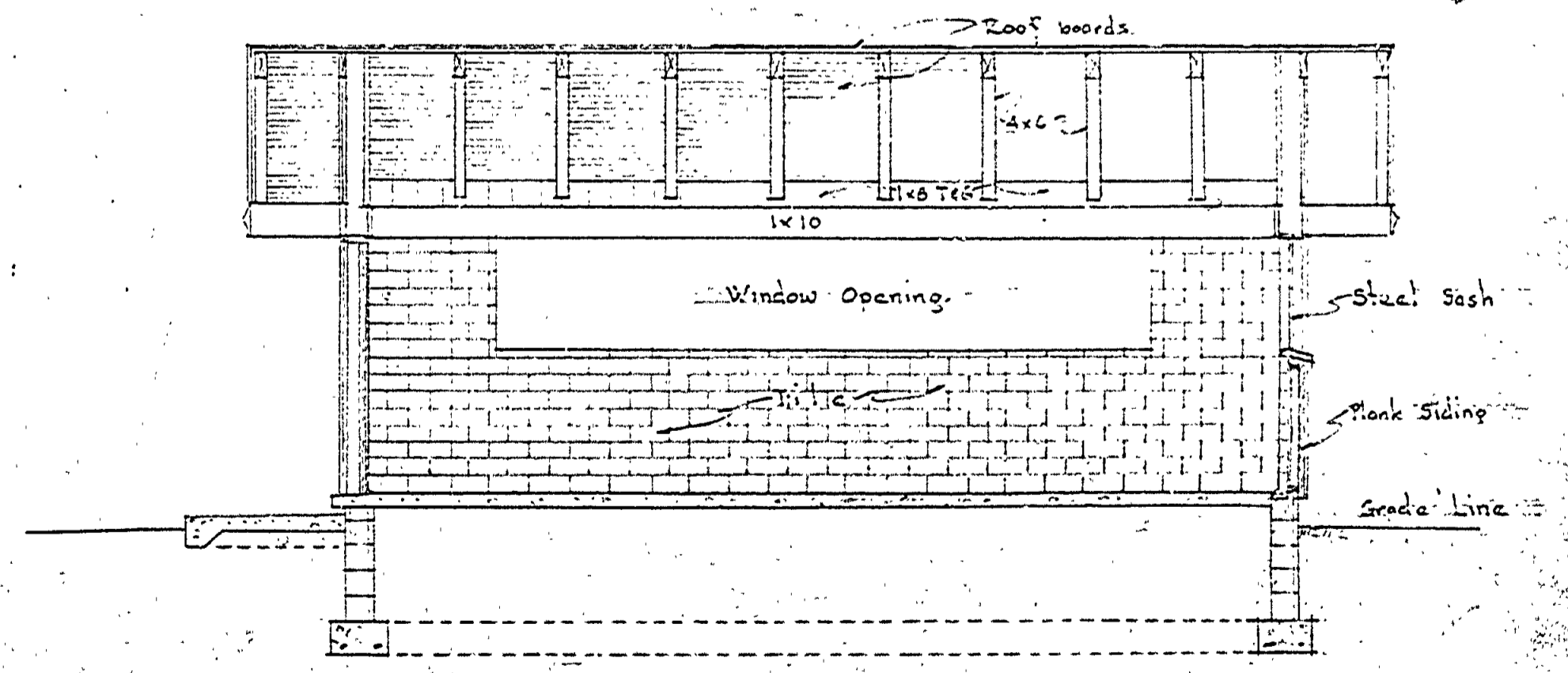
PLAN SECTION X-X
Scale 1/4" = 1'-0"



DETAIL OF PLANK & PLUGS
Scale 3/8" = 1'-0"



ELEVATION
DETAIL OF DUMMY LOOKOUT
Scale 1/4" = 1'-0"



SECTION C-C
Scale 1/4" = 1'-0"

FINISH SCHEDULE

INTERIOR FINISH-
To all exposed woodwork, except doors, apply directly after erection 2 coats of clear Woodlife (Protection Products Co., Kalamazoo, Mich) preservative to which has been added Lampblack oil color to obtain a light gray stain. Exterior side only of doors, 2 coats clear Woodlife and 2 coats Pratt & Lambert Okene wood preservative.
Roof shingles stained by individual immersion in carbosota creosote before application.
Steel sash primed before installation with P & L No. 16 red lead primer, after glazing - steel sash and window screens painted 1 coat tinted P & L Effecto enamel primer and 1 coat Effecto enamel color light gray.

INTERIOR FINISH-
To all exposed wood surfaces apply 1 coat clear Woodlife tinted with P & L Silver Gray oil stain, and 2 coats P & L 161 Dull Lacquer. Roof rafters and cornice trim board stained a medium shade of gray, all other surfaces a very light shade of gray.
Steel sash after glazing, painted 1 coat tinted P & L Effecto enamel primer and 1 coat Effecto enamel, color light gray.
Concrete floors, when thoroughly dry, flushed with 2 coats Sonneborn-Sons Lipolith concrete floor hardener.
Note - Colors of all materials to be approved by the Lansing office before application.

DETAIL DESIGNATION: A-4
SYMBOL: SHEET NO. WHERE DETAIL APPEARS OR WHERE DETAIL IS TAKEN

MICHIGAN
DEPARTMENT OF CONSERVATION
PARKS AND RECREATION DIVISION

BUILDING NO.
INTERLOCHEN STATE PARK
TOILET PORTION OF
BATH HOUSE, TOILET AND CONCESSION

PROJECT NO. 52-223-1
SHEET NO. 4
OF
PLAN NO. A107