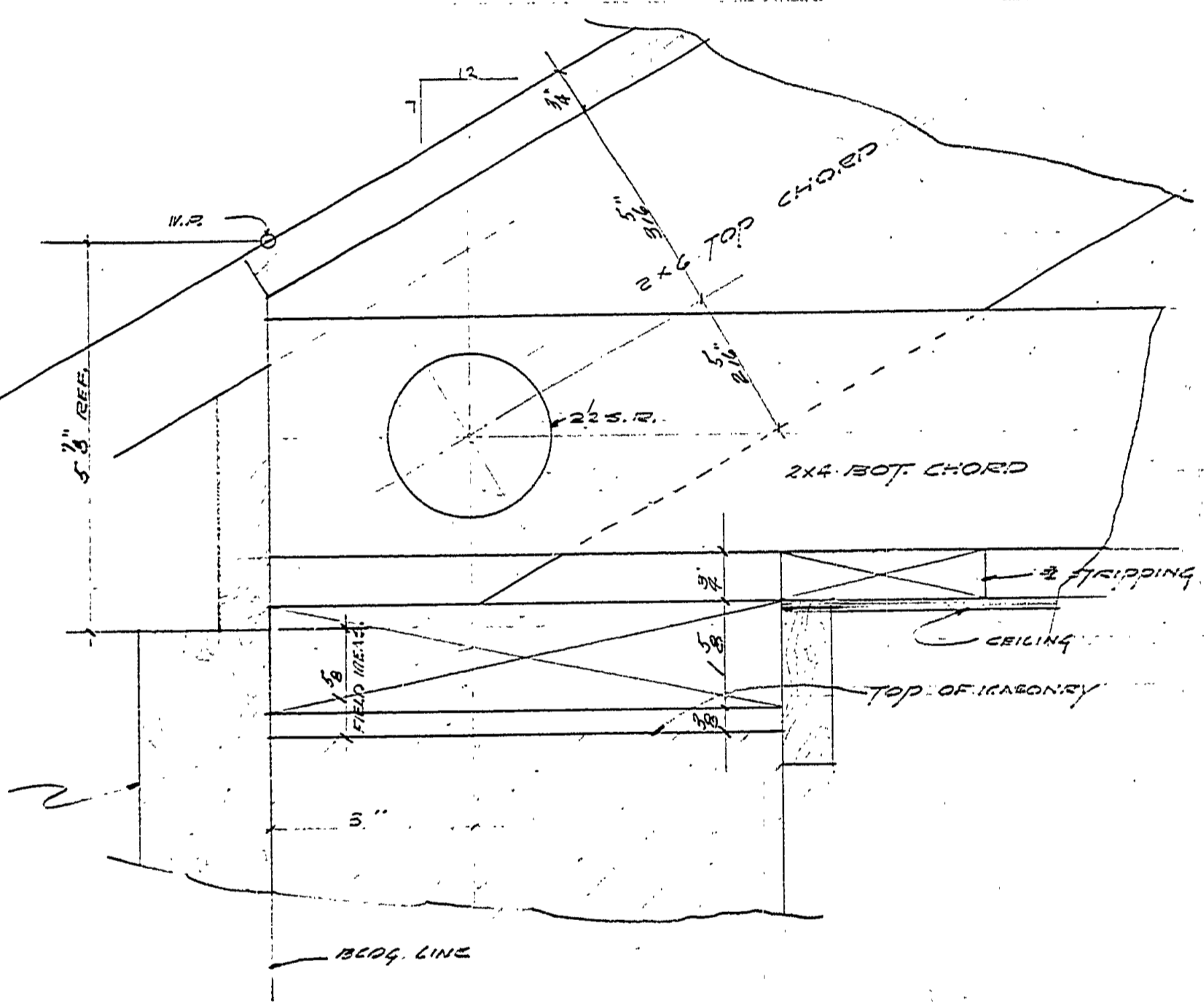
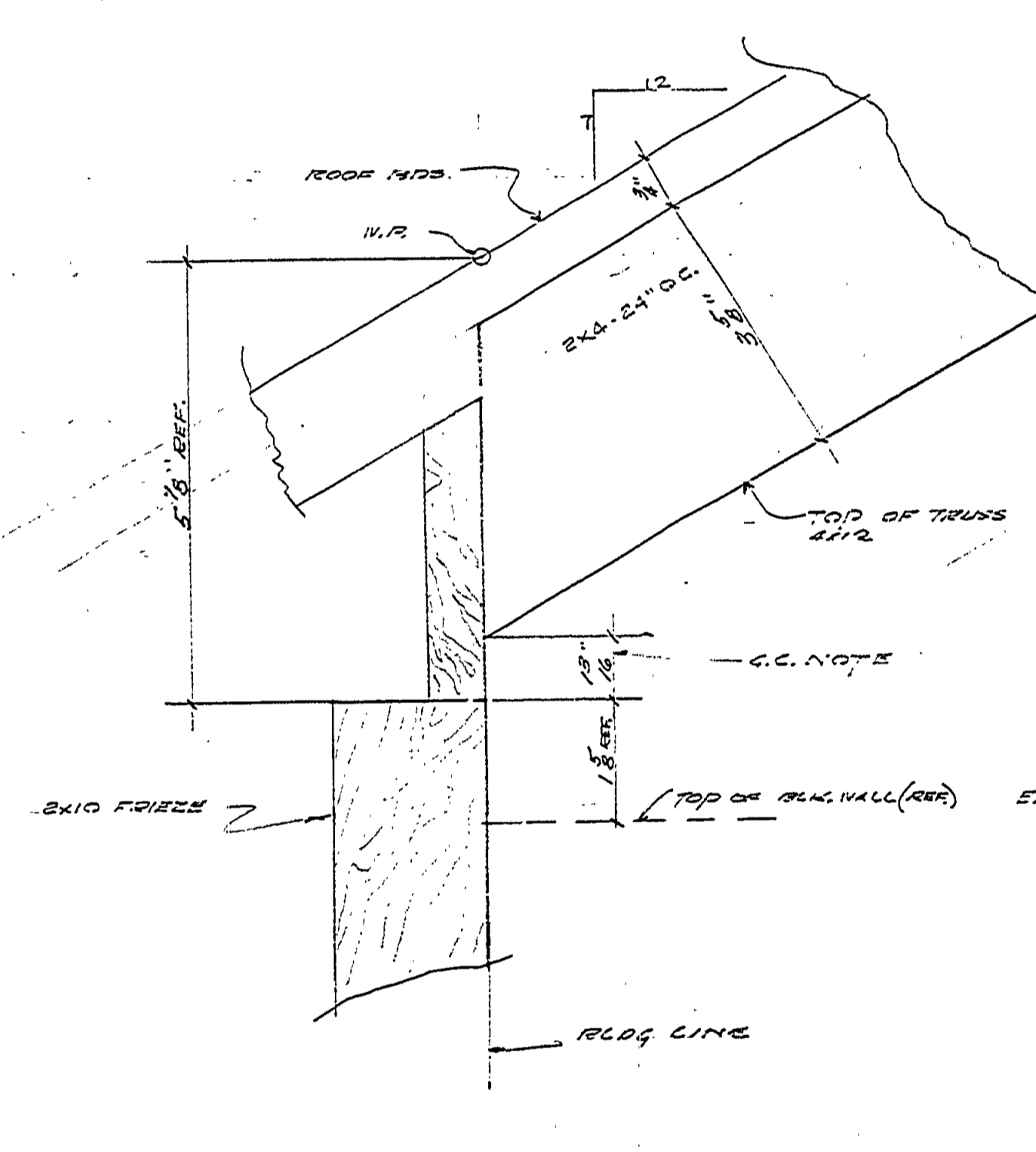


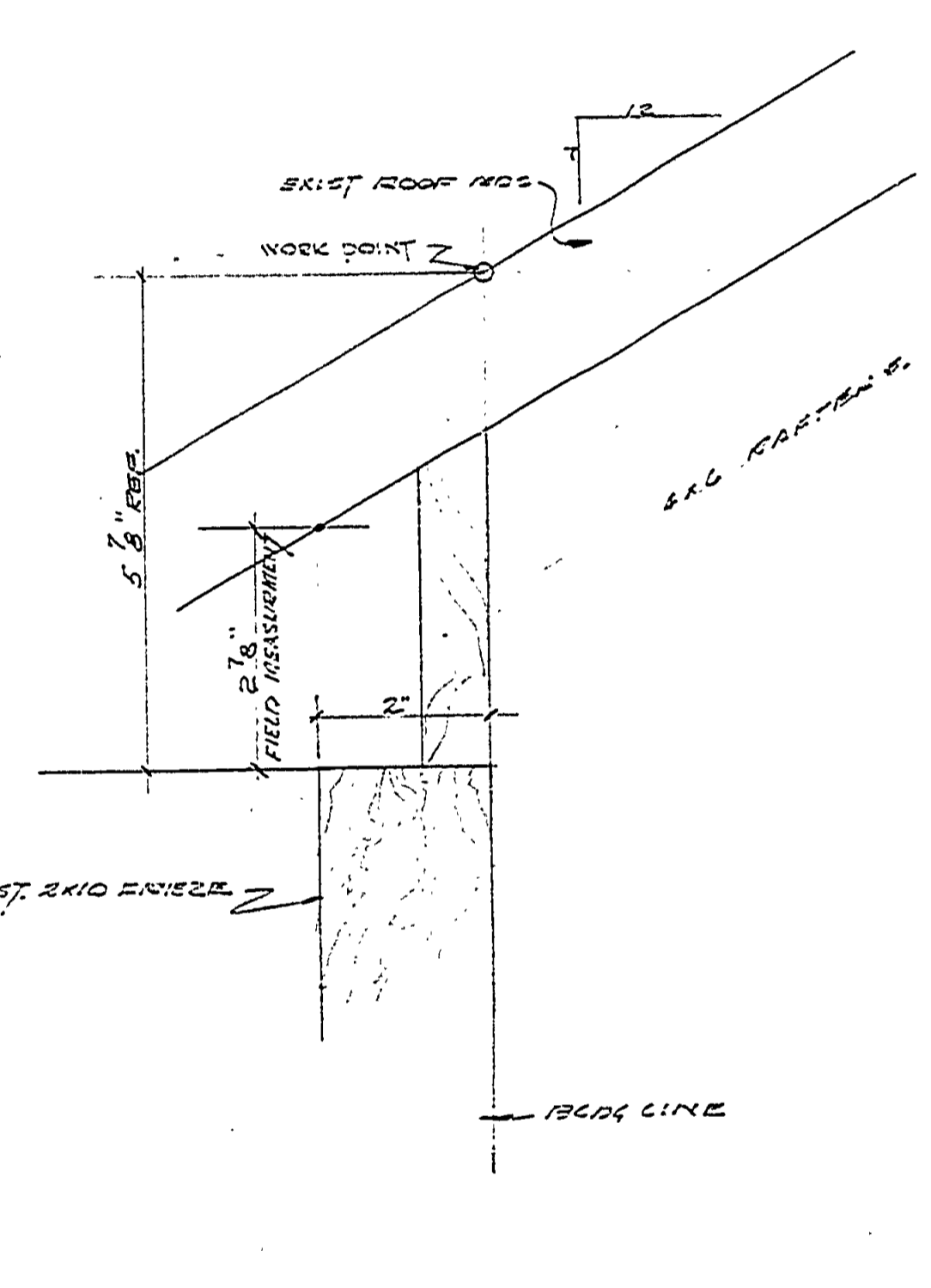
DETAIL OF TRUSS CONNECTION TO BEAM AT VESTIBULE  
 WORK WITH - SECT. D-D - 24\"/>



EAVE CONDITION @ TRUSSED RAFTERS-24\"/>



EAVE CONDITION @ SHELTER  
 WORK WITH - SECT. A-A - 34\"/>



TYPICAL EAVE @ EXIST TOILET BLDG.

SKETCH - INTERLOCHEN STATE PARK - BATHHOUSE & CONCESSION  
 EAVE DETAILS - REF. DIMS. TO MATCH NEW BLDG. ROOF ELEV.  
 PROJ. 925.25-01