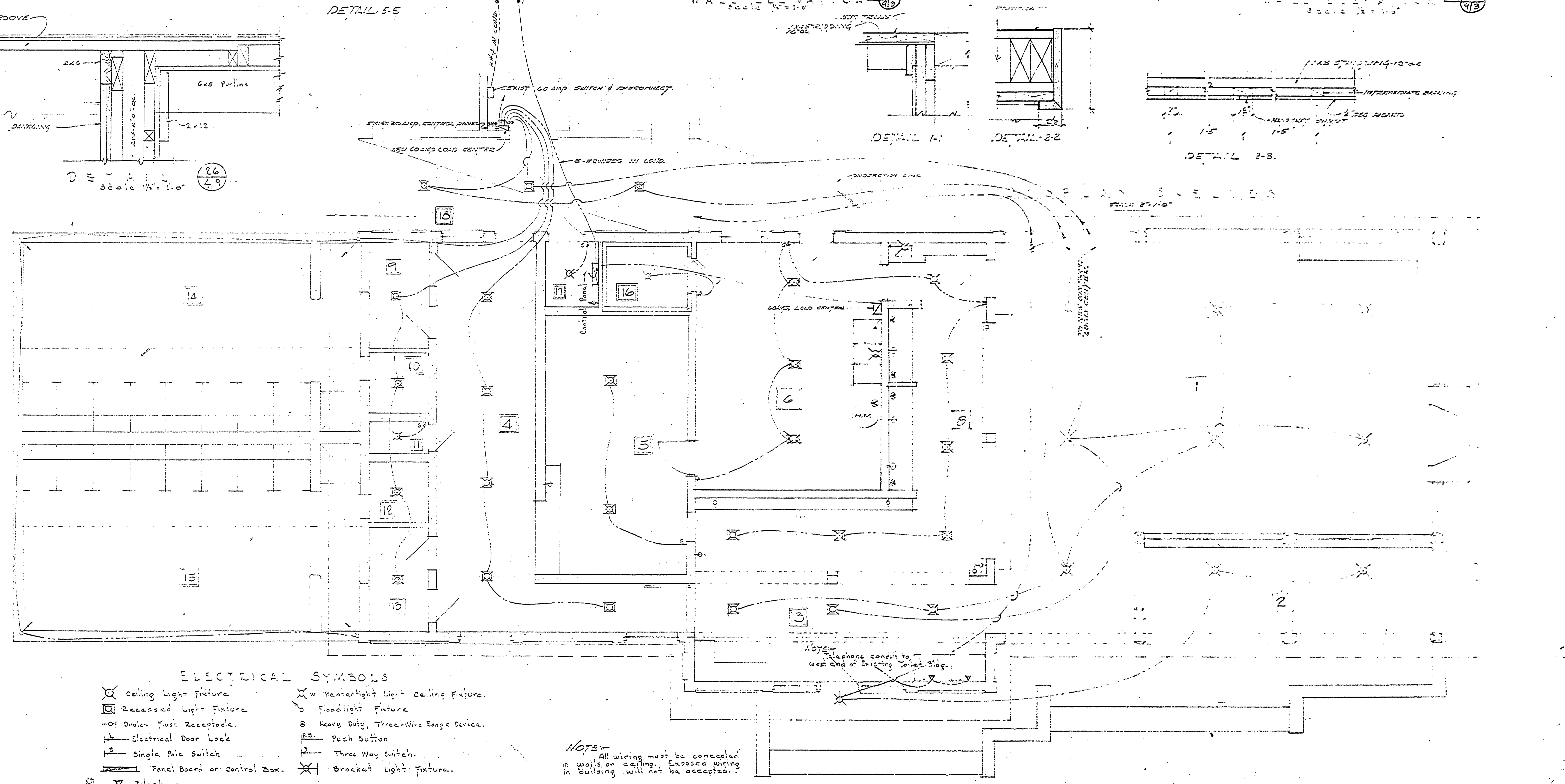
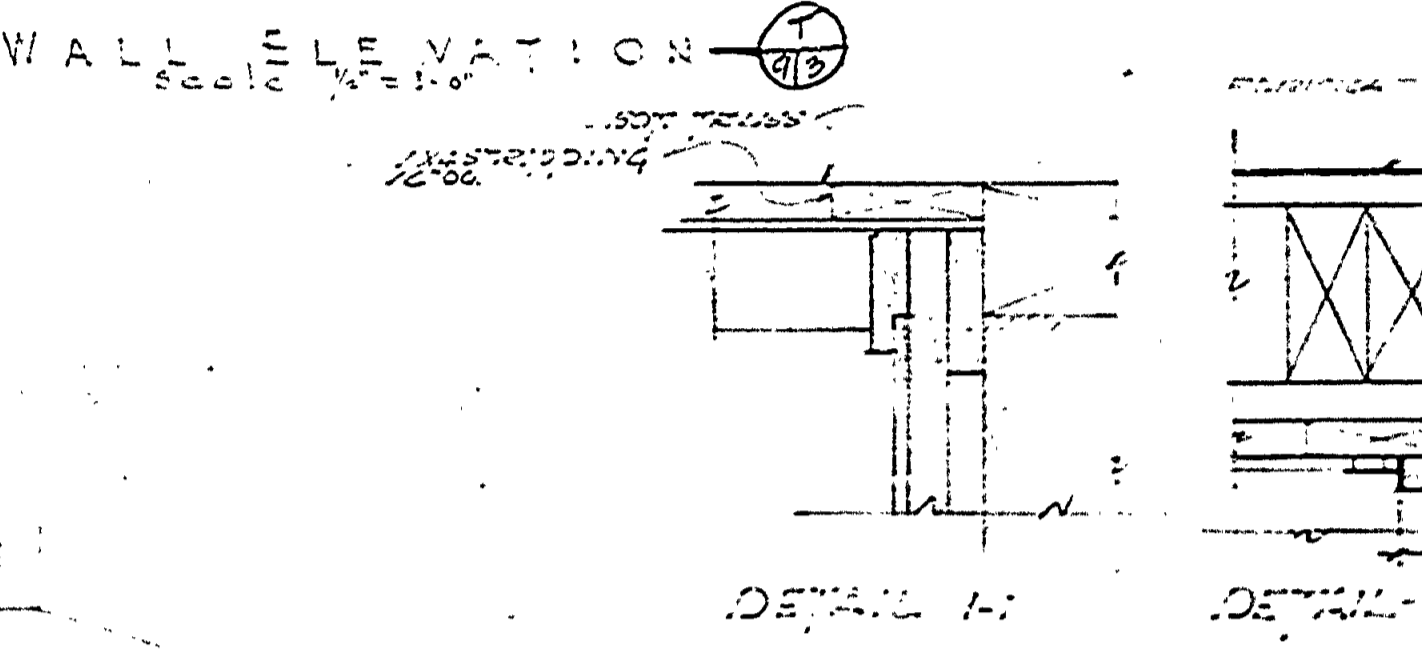
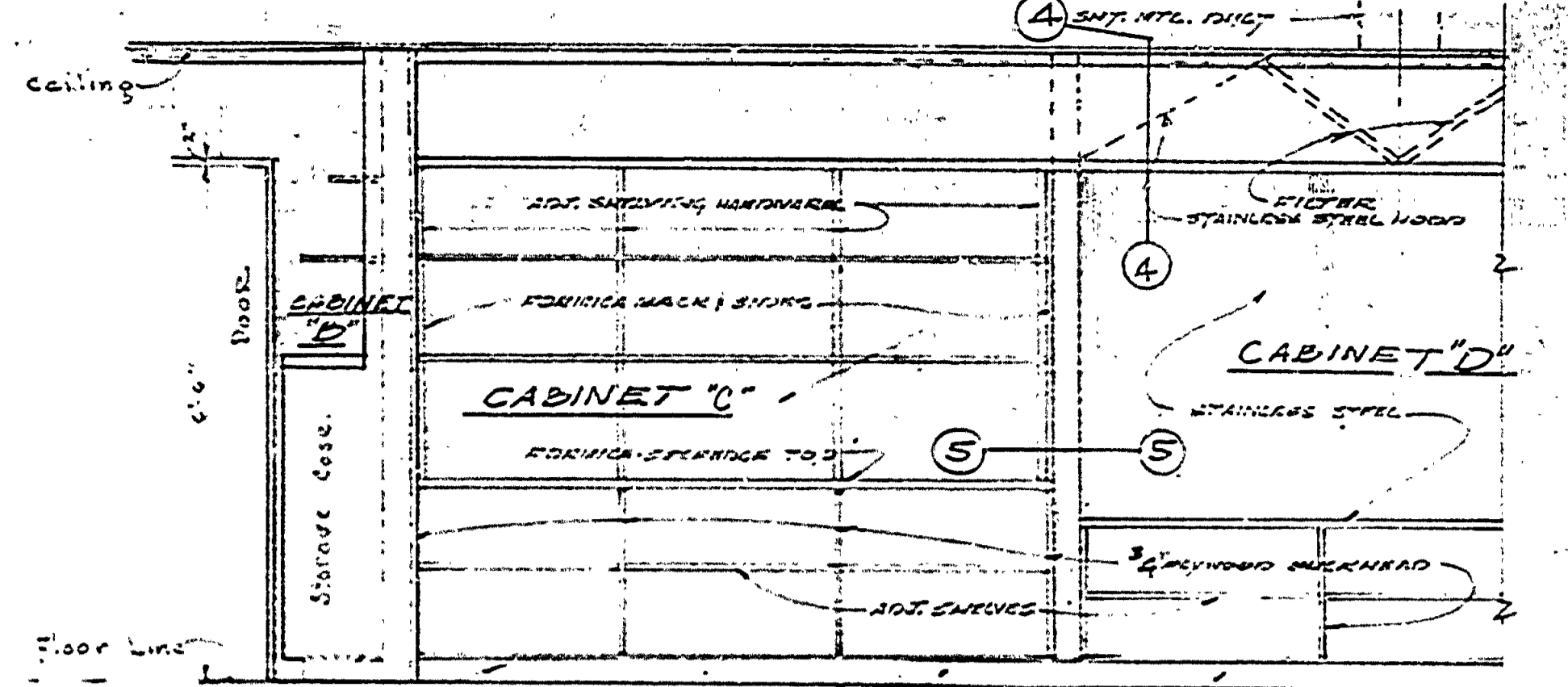
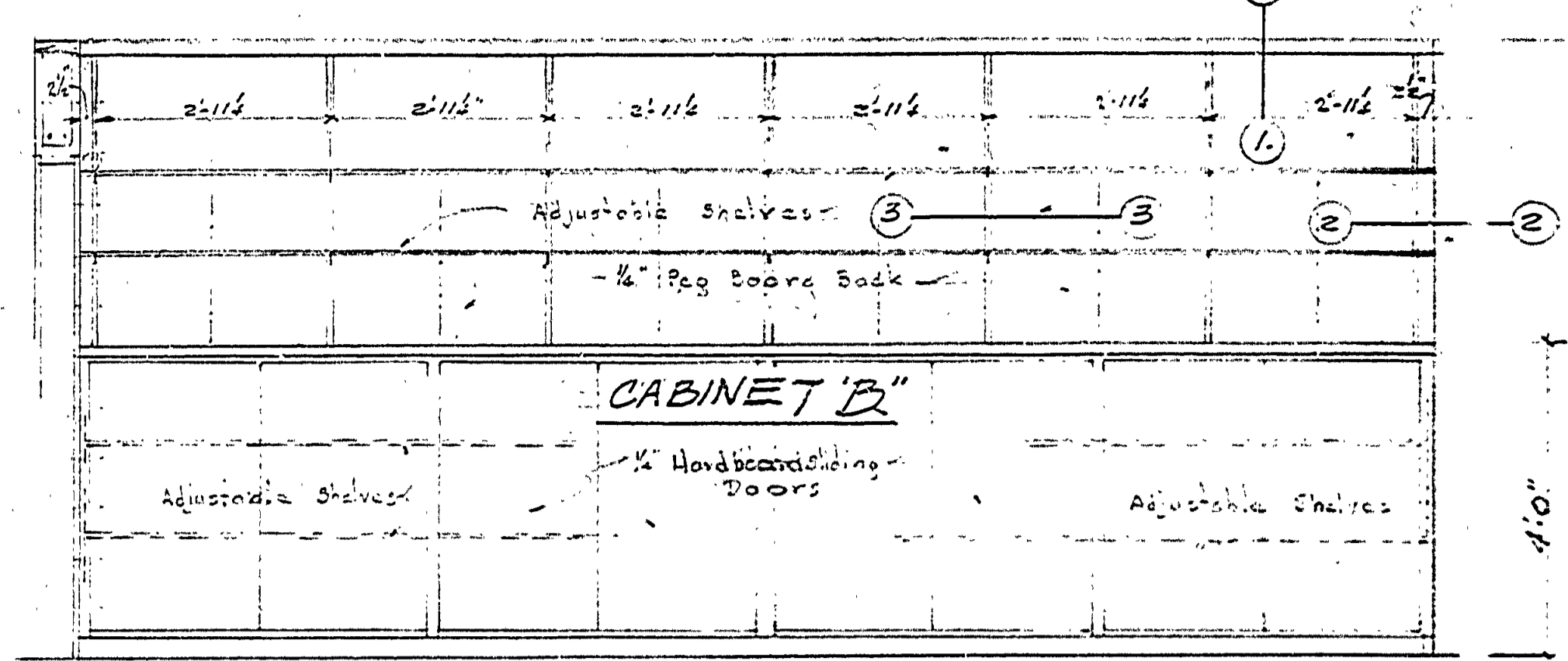
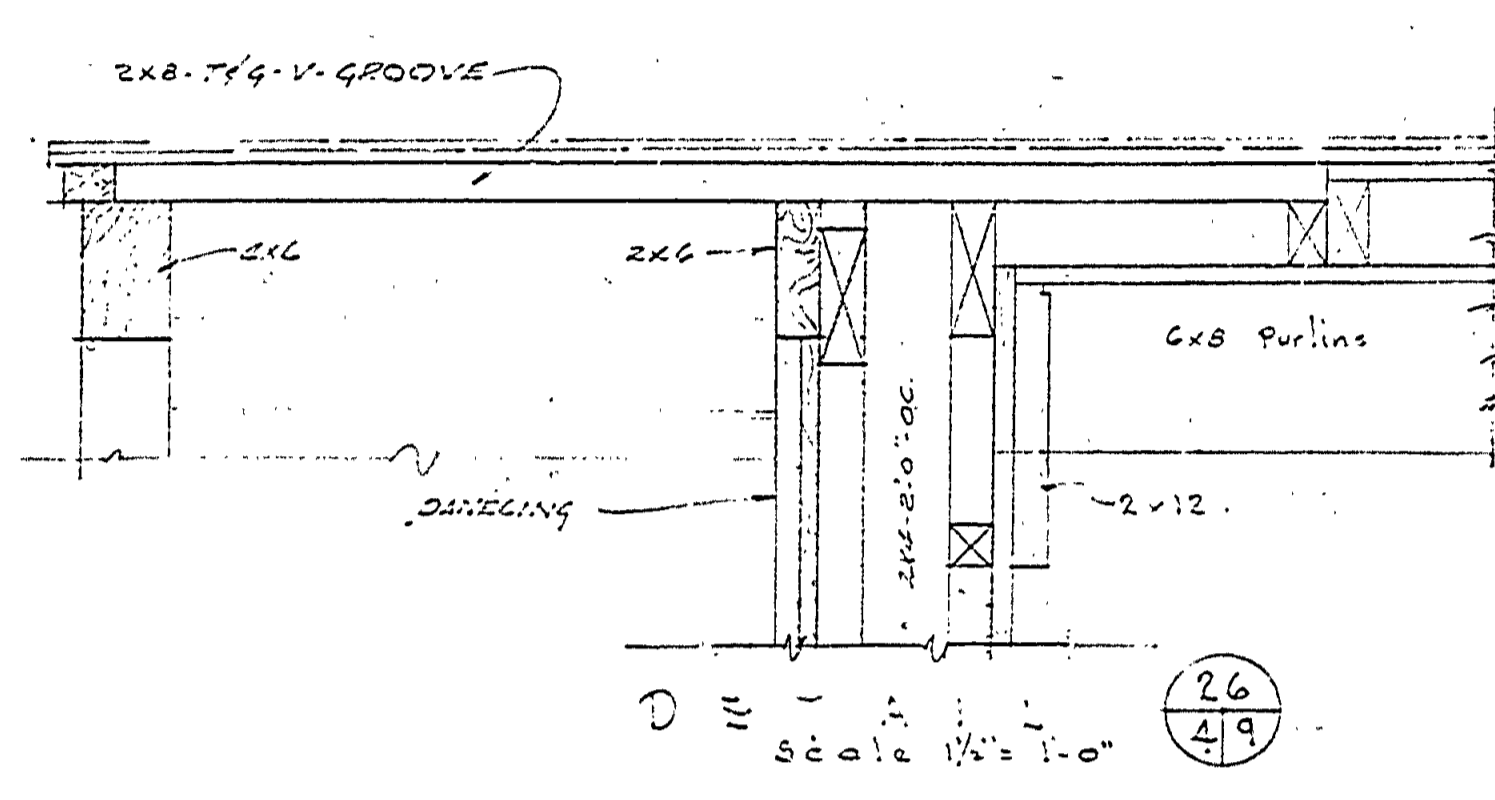
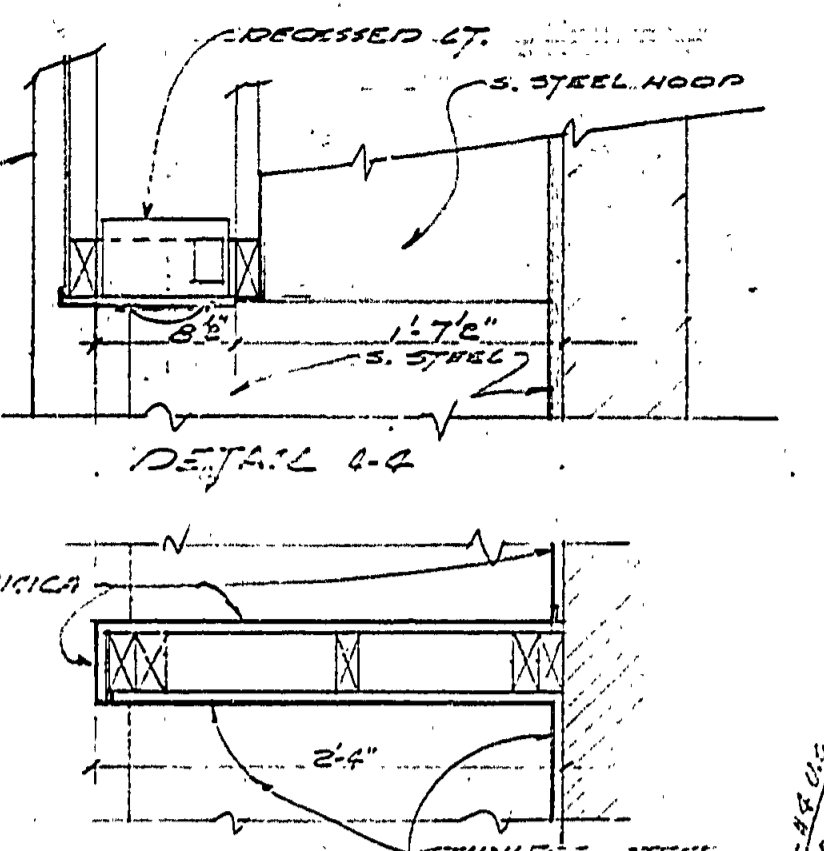
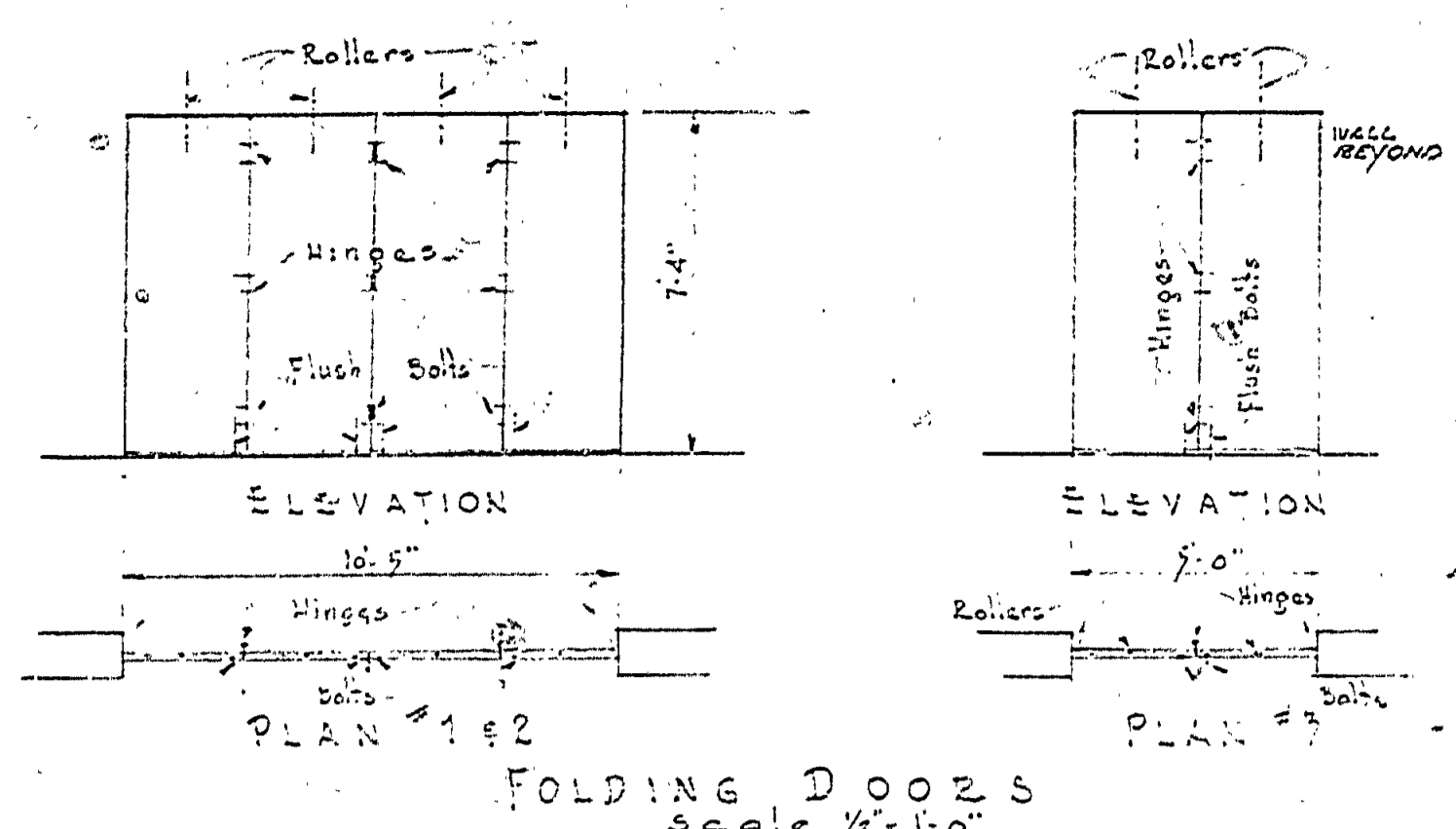


DESIGNED BY	W. N. Gardner	APPROVED BY	A. C. [Signature]	NO.	1	DATE	4-26-58
DRAWN BY	W. N. Gardner	REVIEWED BY SECTIONS	J. R. [Signature]	2	7-1-58	ARCHITECTURAL	
CHECKED BY	W. N. G.	ENGINEERING	J. R. [Signature]	3	8-5-58	LANDSCAPE	
DATE		OF DESIGN					
REVISIONS		NO.	DATE	BY	REVISIONS		
		4			MISC. REVISIONS		
		5			FOR ELEC. SERVICE		
		6			FOR ELEC. SERVICE		



- ELECTRICAL SYMBOLS**
- ☉ Ceiling Light Fixture
  - ☐ Recessed Light Fixture
  - ⊕ Duplex Flush Receptacle
  - ⊖ Electrical Door Lock
  - ⊙ Single Pole Switch
  - ⊚ Panel Board or Control Box
  - ☎ Telephone
  - ☉ w. Weatherlight Light ceiling fixture
  - ☉ Floodlight Fixture
  - ⊕ Heavy Duty, Three-Wire Range Device
  - ⊖ Push Button
  - ⊙ Three Way Switch
  - ⊚ Bracket Light Fixture

**NOTE** - All wiring must be concealed in walls or ceiling. Exposed wiring in building will not be accepted.