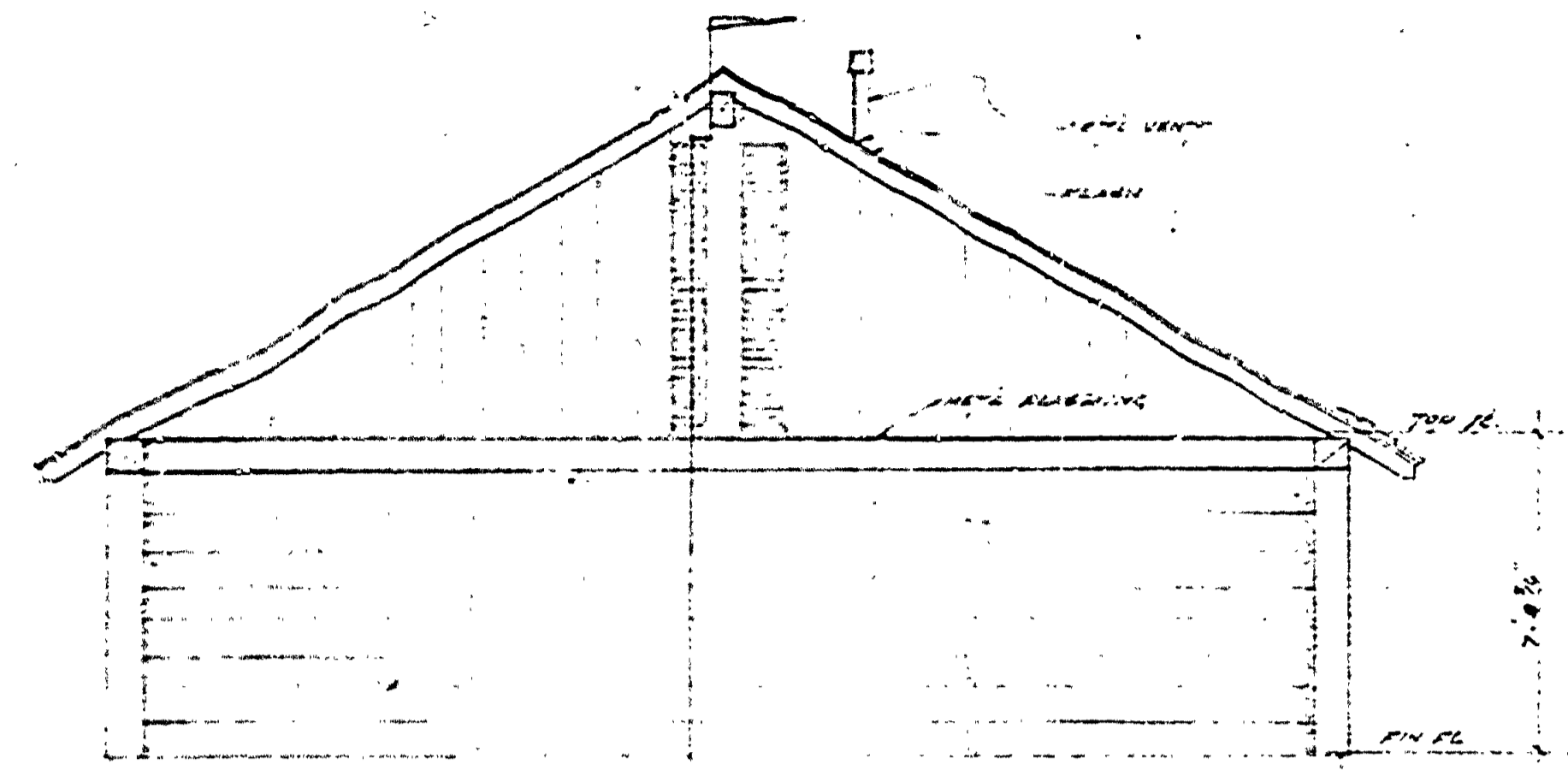
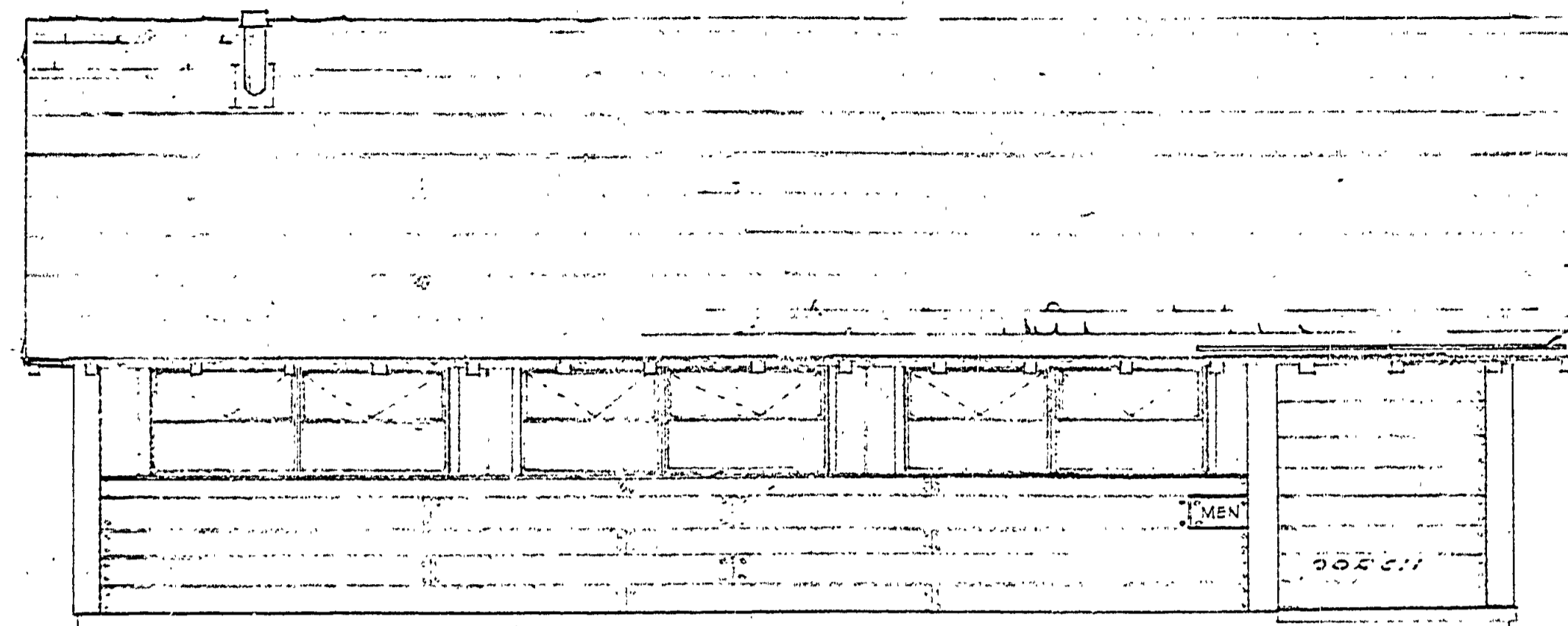


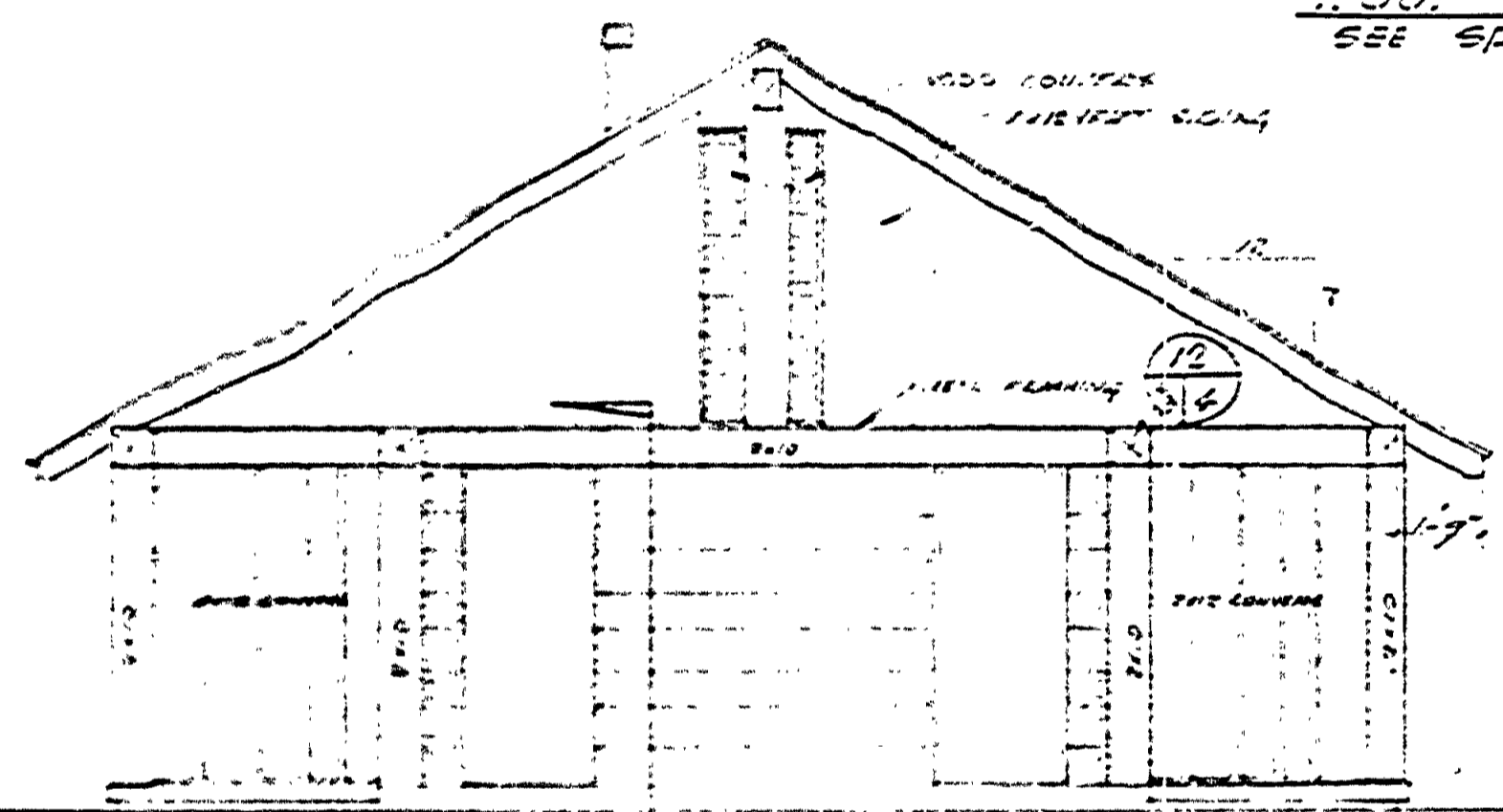
DESIGNED BY	W.M.L.
DRAWN BY	P.M.T.
CHECKED BY	L.S.
DATE	1/23/41
REVIEWED	1/23/41
DATE	1/23/41
APPROVED	[Signature]
DATE	1/23/41
NO.	1
DATE BY	
REVISIONS	
4	
5	
6	



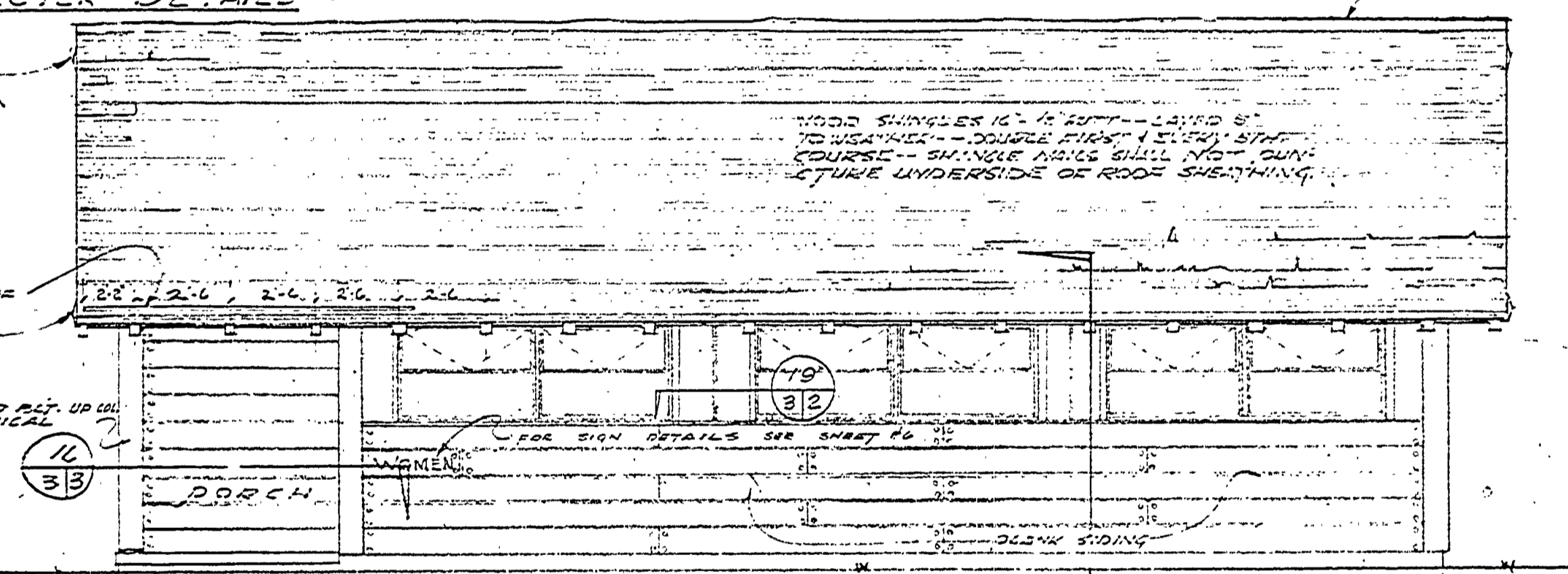
NORTH ELEVATION



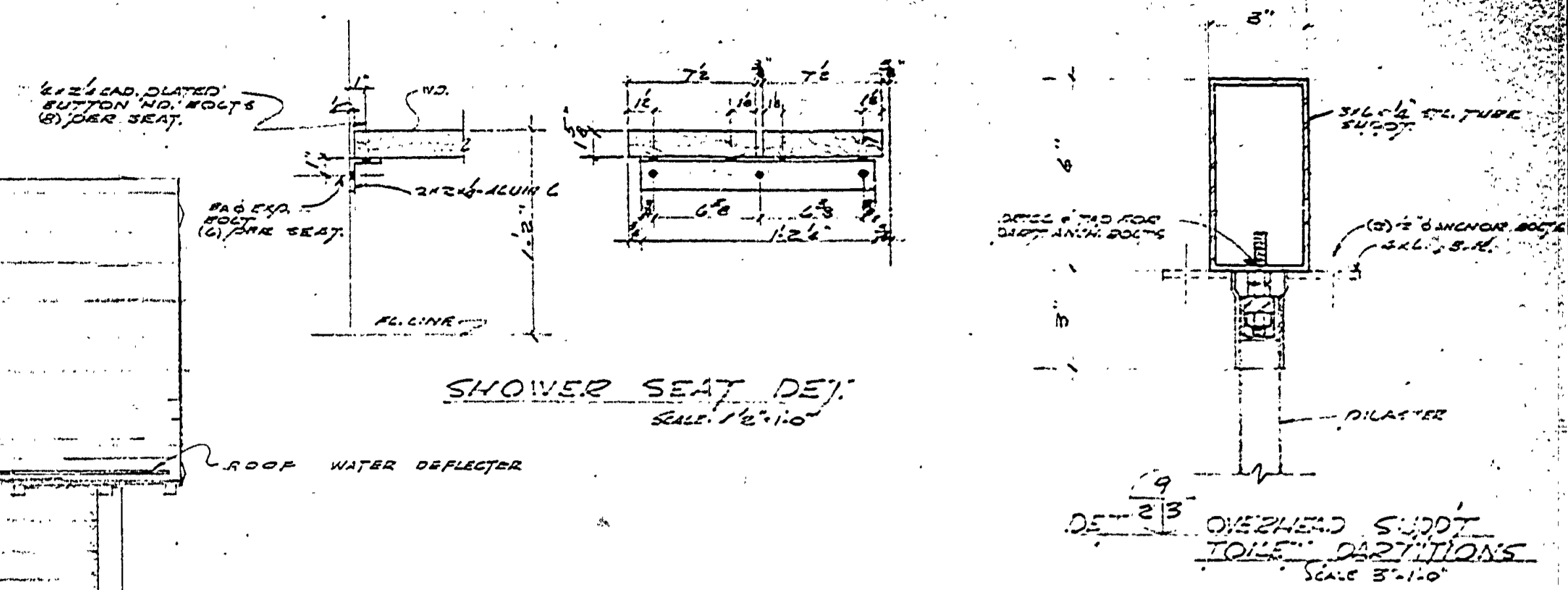
WEST ELEVATION



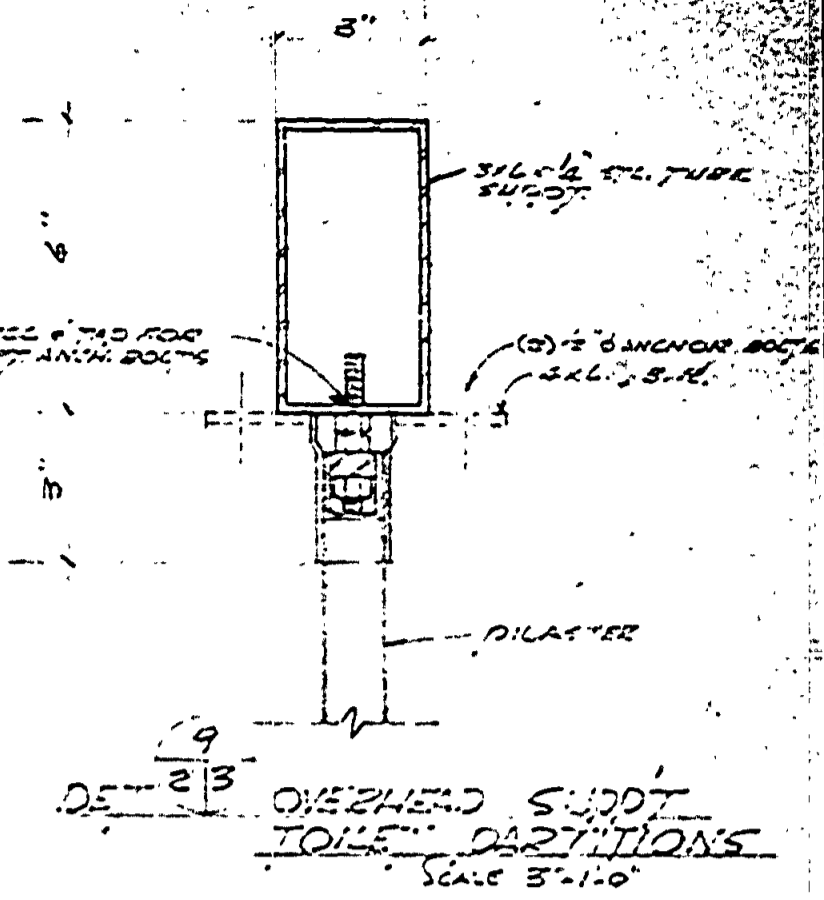
SOUTH ELEVATION



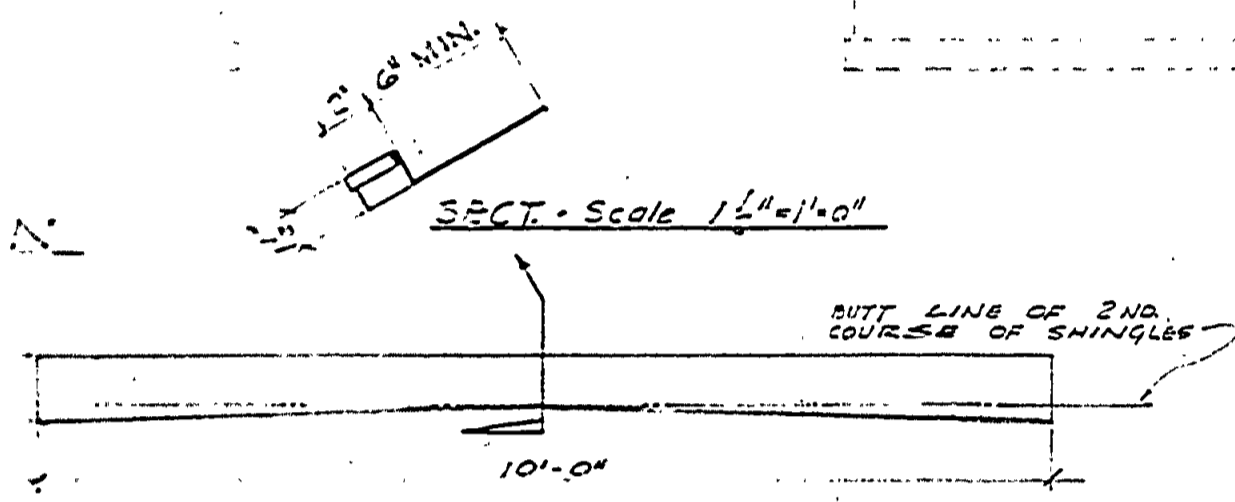
EAST ELEVATION



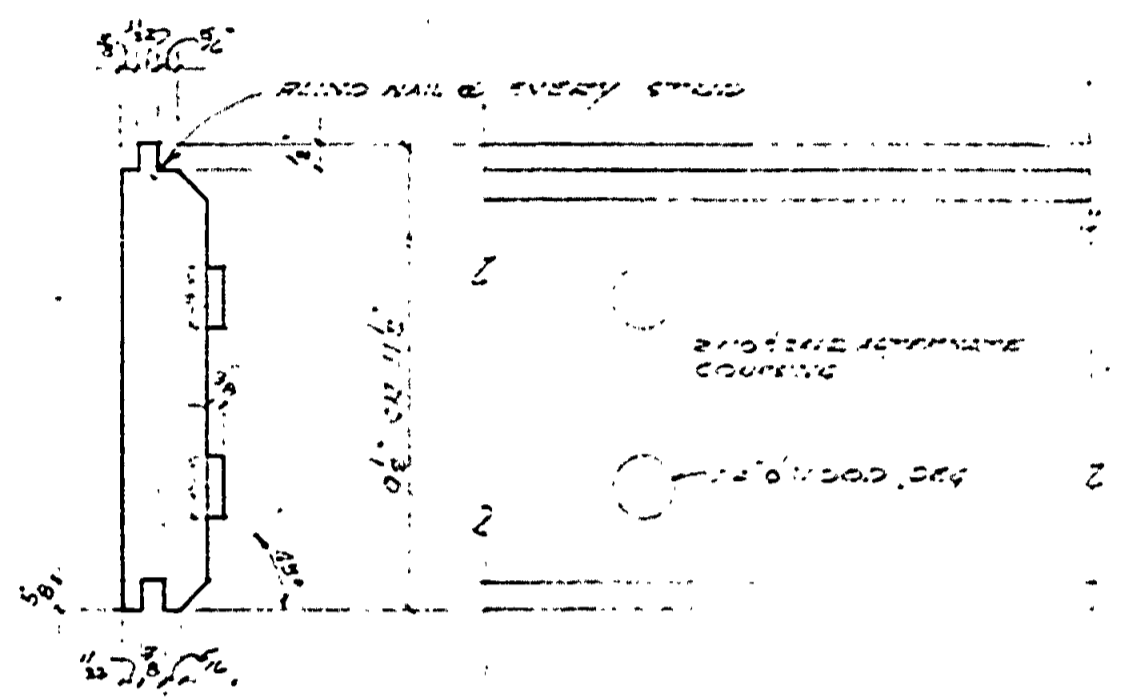
SHOWER SEAT DET. SCALE 1/2"=1'-0"



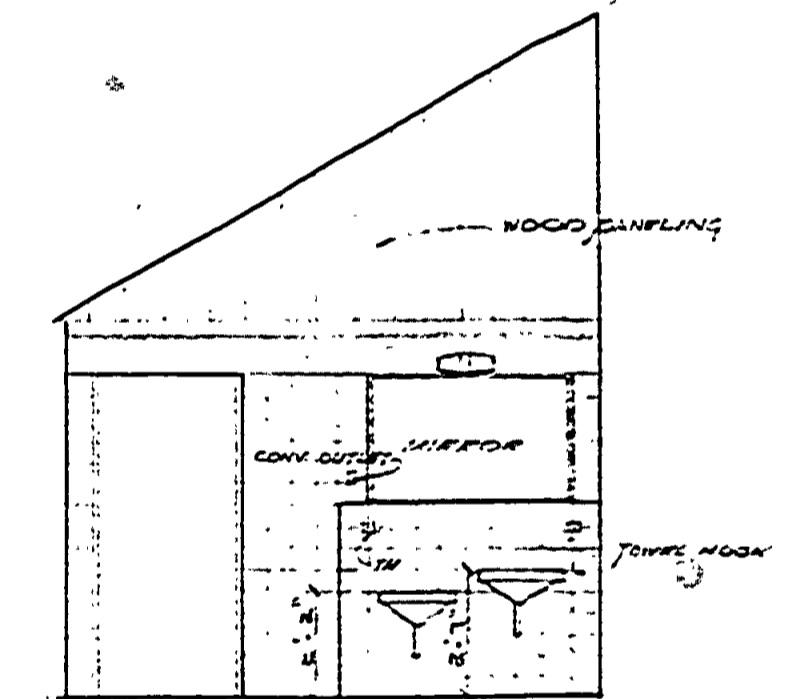
OVERHEAD STUD-TOILET PARTITION SCALE 3/4"=1'-0"



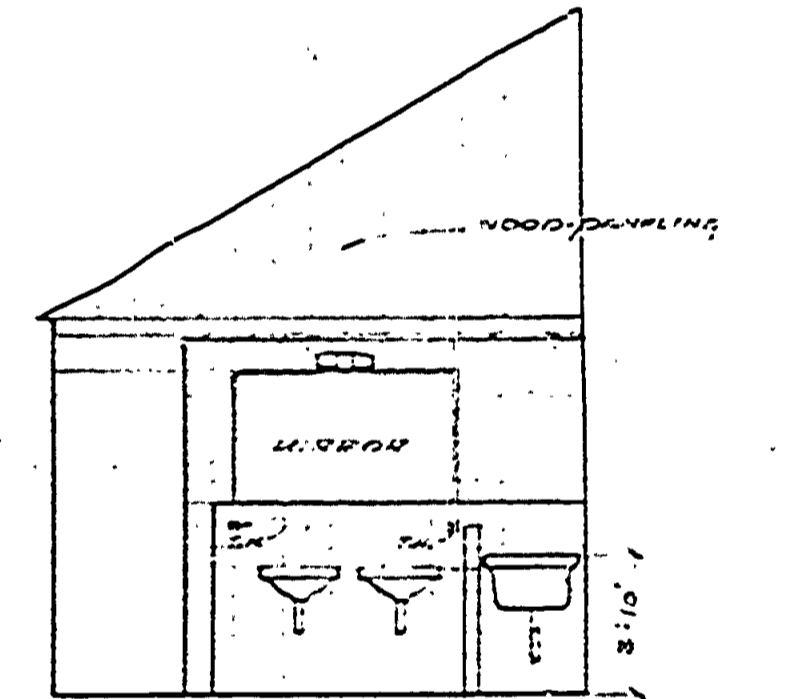
ROOF WATER DEFLECTOR DETAILS SEE SPECS ALSO



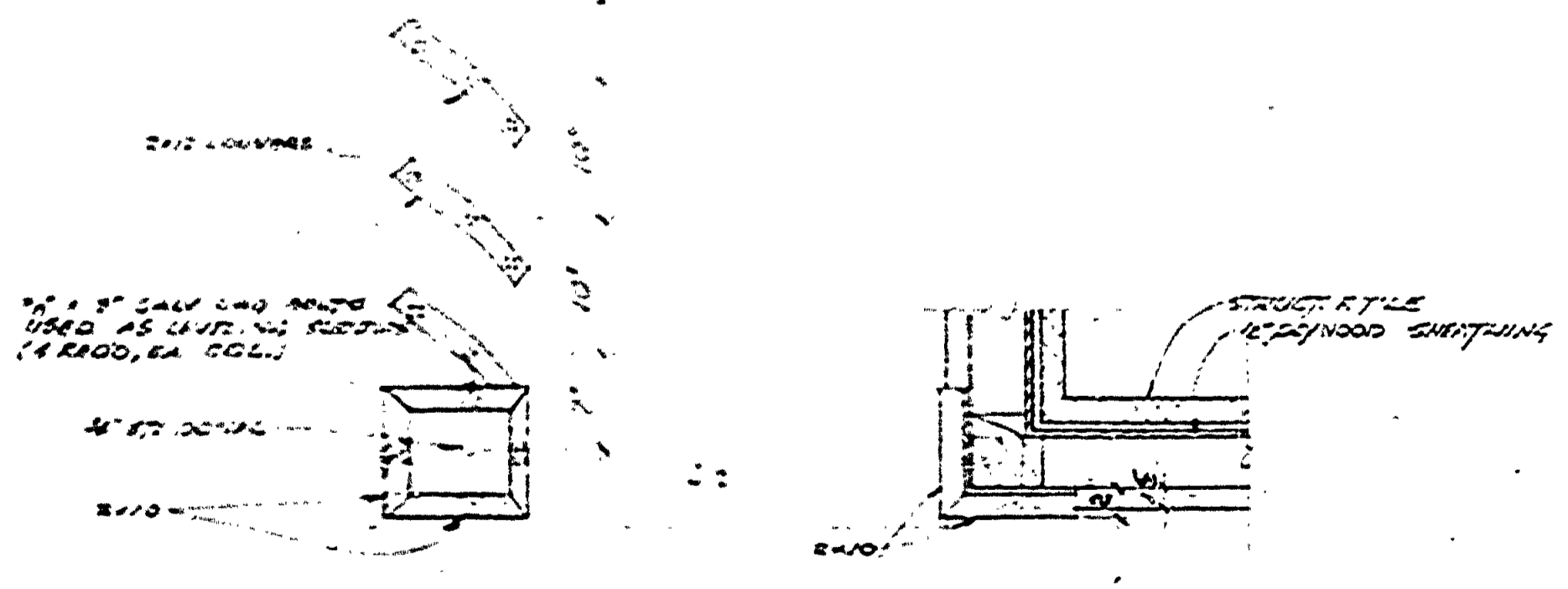
DET. OF PLANK & PLUG SIDING SCALE 3/4"=1'-0"



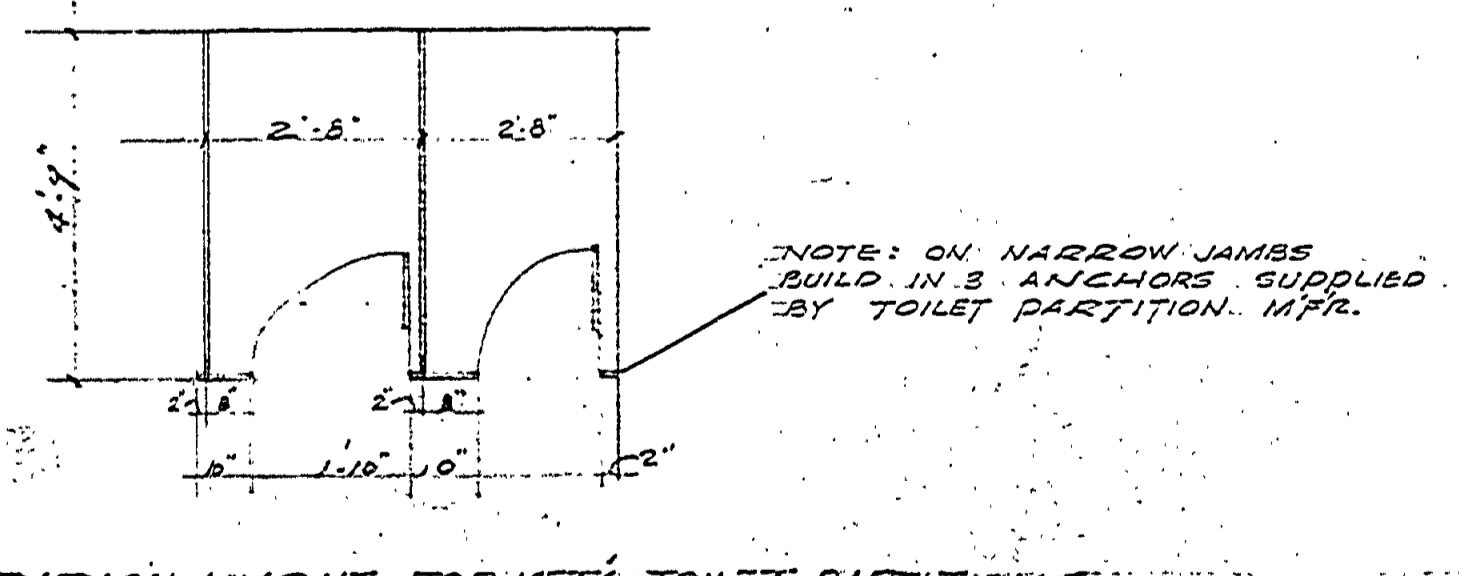
ELEV. S. WALL - MEN'S TOILET (WOMEN'S SIMILAR) SCALE 1/2"=1'-0"



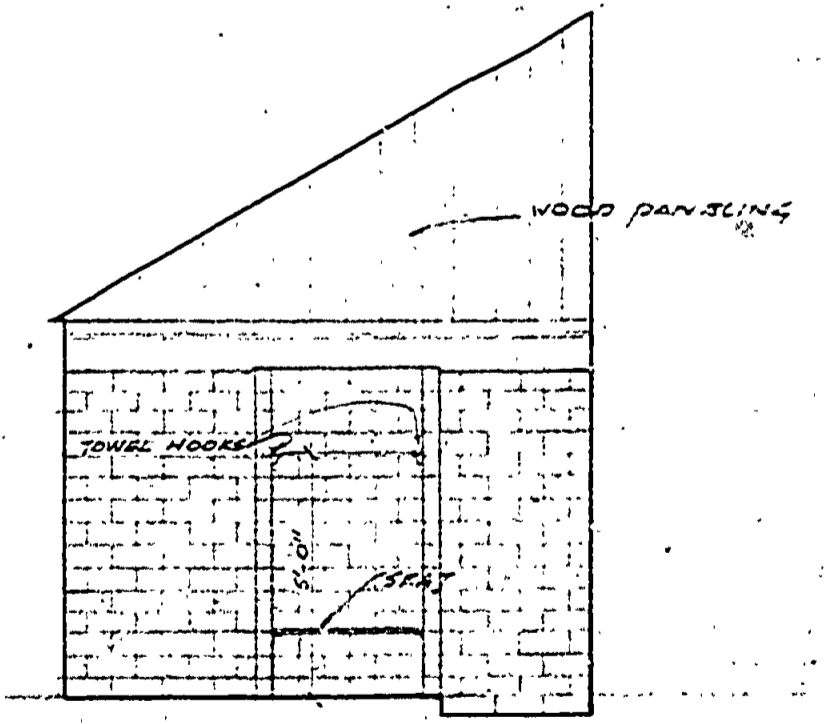
ELEV. N. WALL - WOMEN'S TOILET SCALE 1/2"=1'-0"



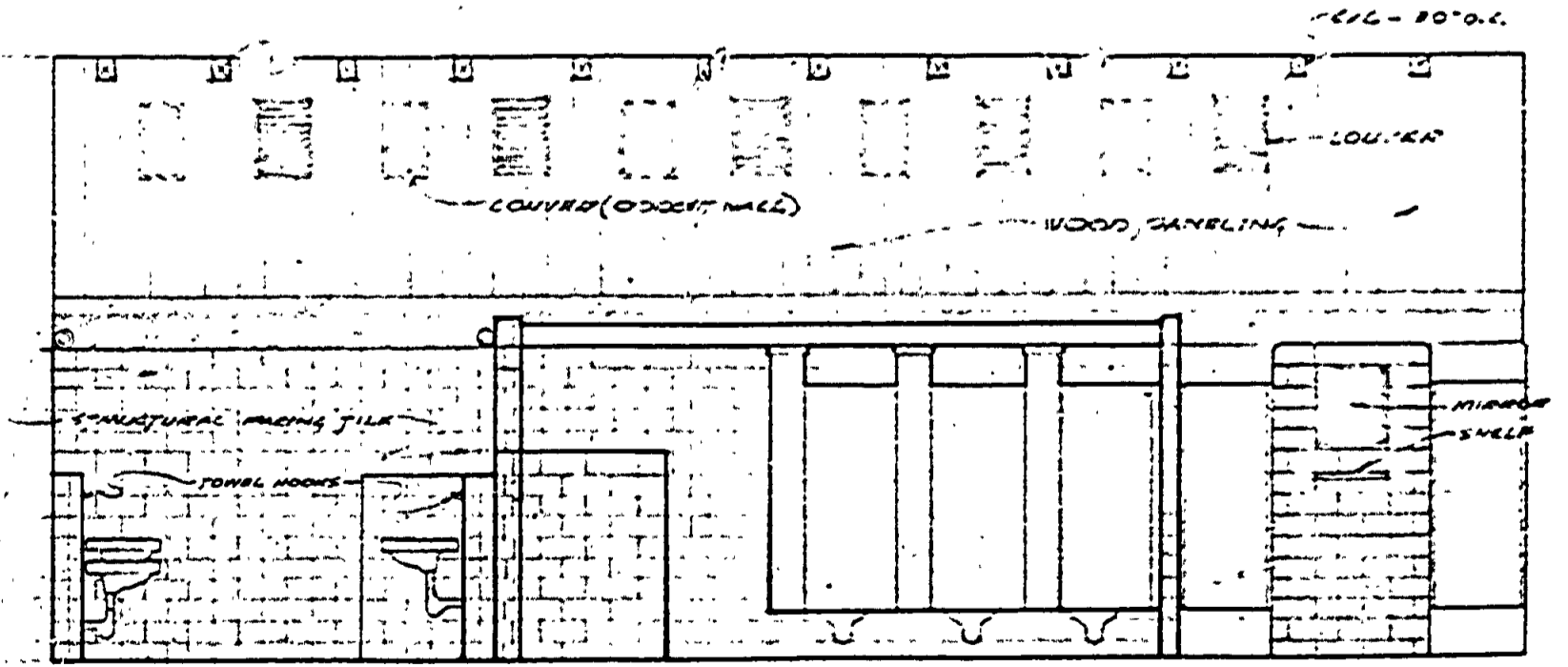
TYPICAL LAYOUT FOR WETZ TOILET PARTITIONS SCALE 1/2"=1'-0"



NOTE: ON NARROW JAMES BUILD IN 3 ANCHORS SUPPLIED BY TOILET PARTITION MFR.



ELEV. T.D. SHOWER SCALE 3/4"=1'-0"



ELEVATION - E WALL MEN'S TOILET (WOMEN'S SIDE SIMILAR) SCALE 1/2"=1'-0"

SECTION DET. SCALE 1/2"=1'-0"

MICHIGAN DEPARTMENT OF CONSERVATION PARKS AND RECREATION DIVISION

ELEVATIONS - SECTIONS INTERLOCHEN STATE PARK TOILET AND SHOWER BUILDING #5 D SHEET NO. 5 OF 6 PLANNING NO. A-109