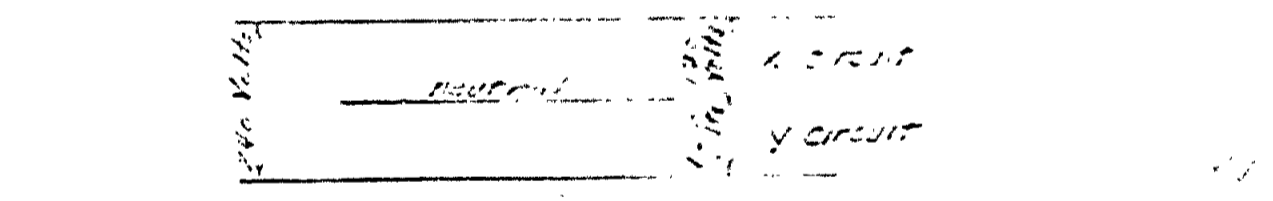
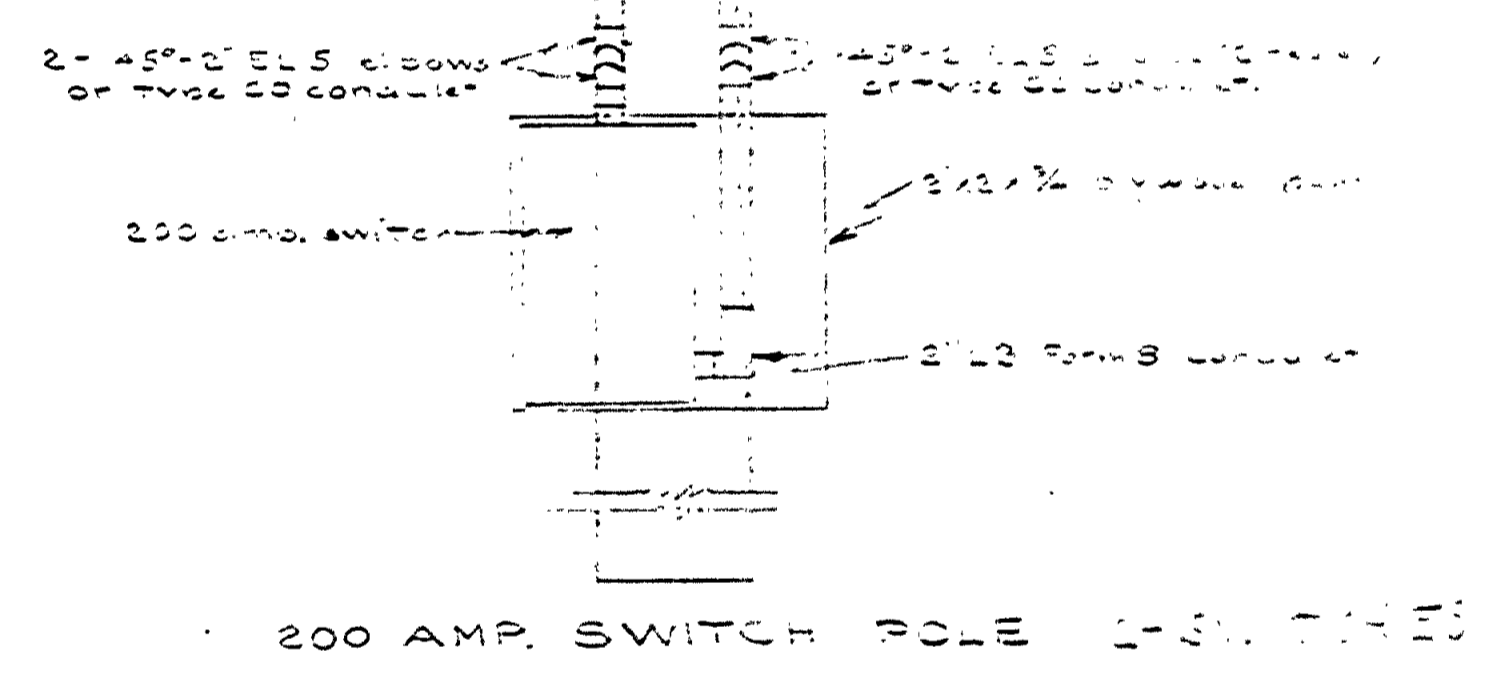
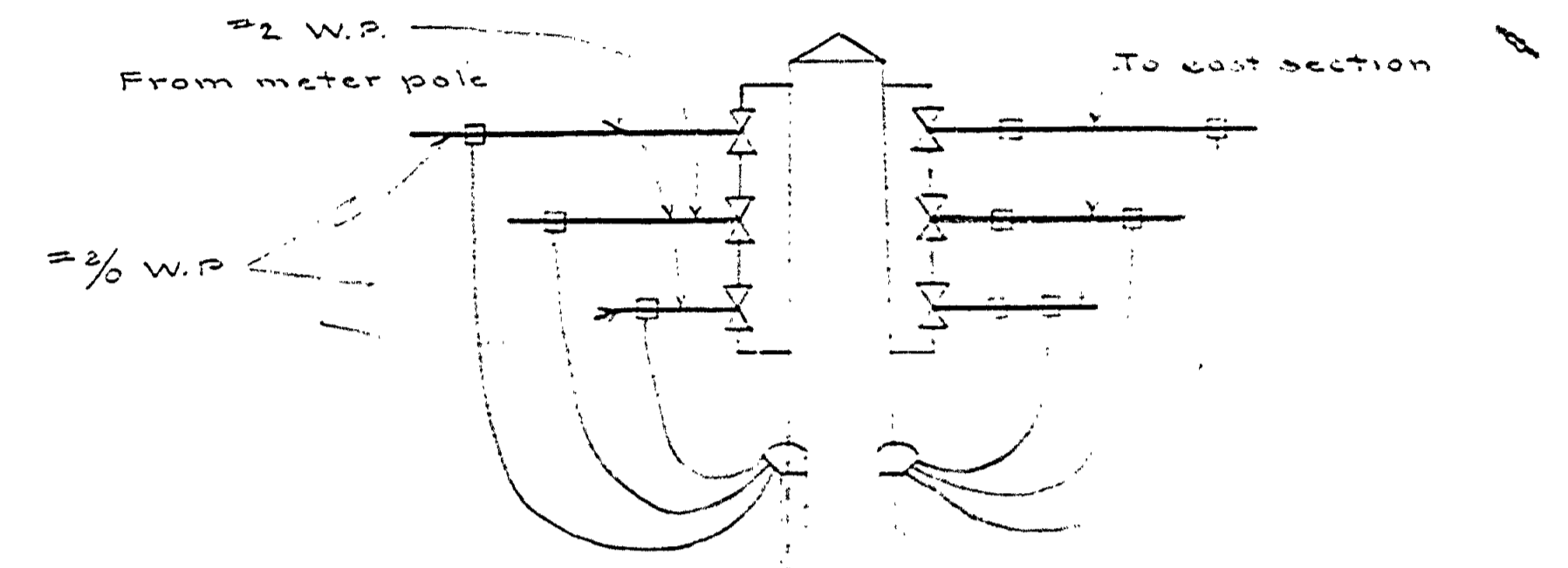
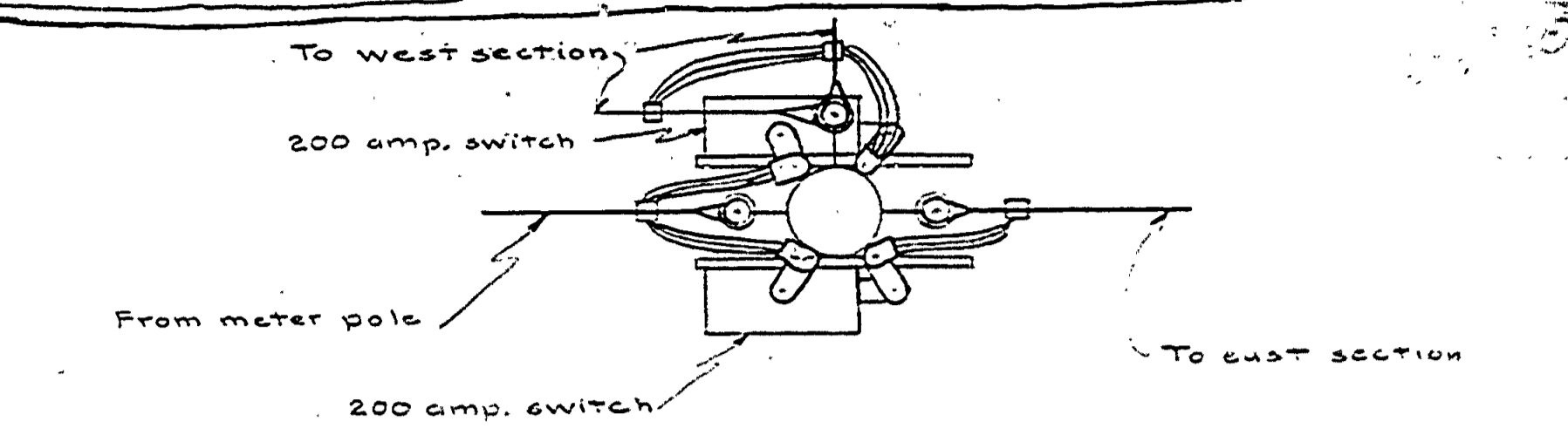
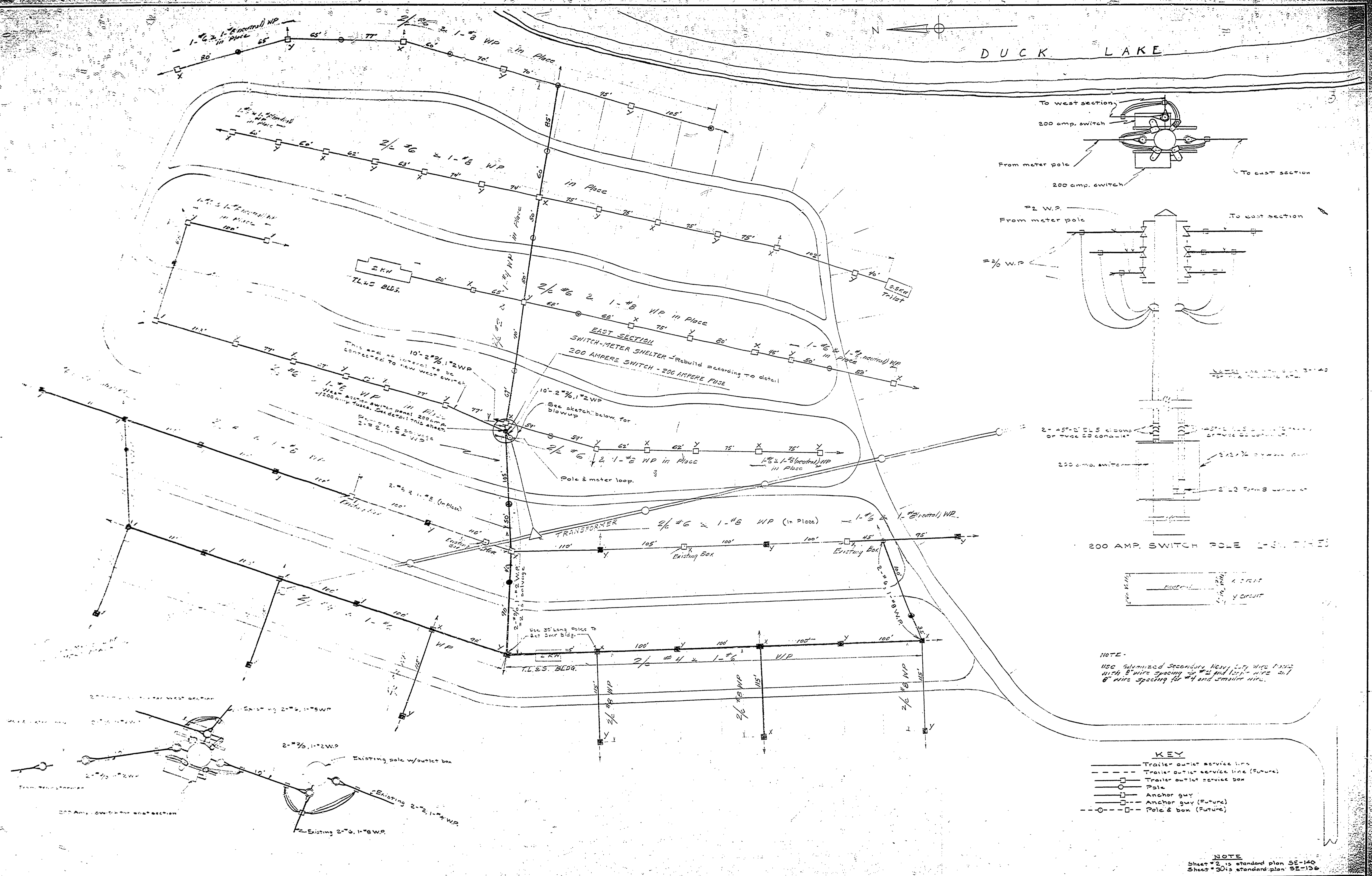


DATE	3/1/57
NO.	1
DATE	11/27/57
NO.	2
DATE	12/1/57
NO.	3
DATE	12/1/57
NO.	4
DATE	1/1/58
NO.	5
DATE	1/1/58
NO.	6
DATE	1/1/58



NOTE:  
 USE Substandard Secondary Heavy Duty Wire 100% with 8 wire spacing for #2 and 12 1/2 wire and 6 wire spacing for #4 and smaller wire.

NOTE:  
 Sheet #2 is standard plan SE-140  
 Sheet #30 is standard plan SE-156

REVISED PLAN FOR NORTH CAMPGROUNDS

MICHIGAN  
 DEPARTMENT OF CONSERVATION  
 PARKS AND RECREATION DIVISION

INTERLOCHEN STATE PARK  
 ELECTRICAL DISTRIBUTION SYSTEM  
 SCALE 1"=50'

SHEET NO. 1 OF 3  
 PLAN NO. E-109