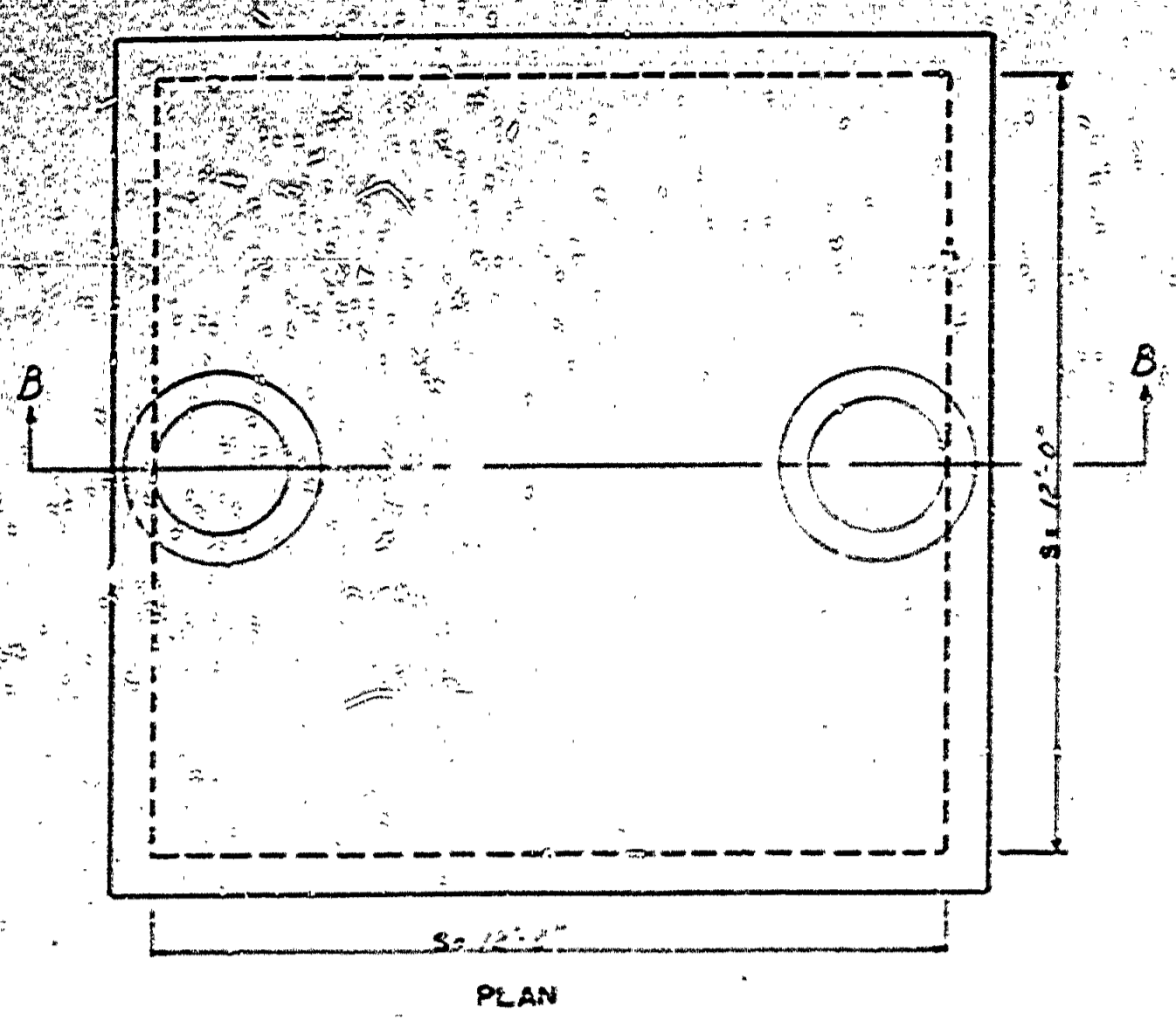
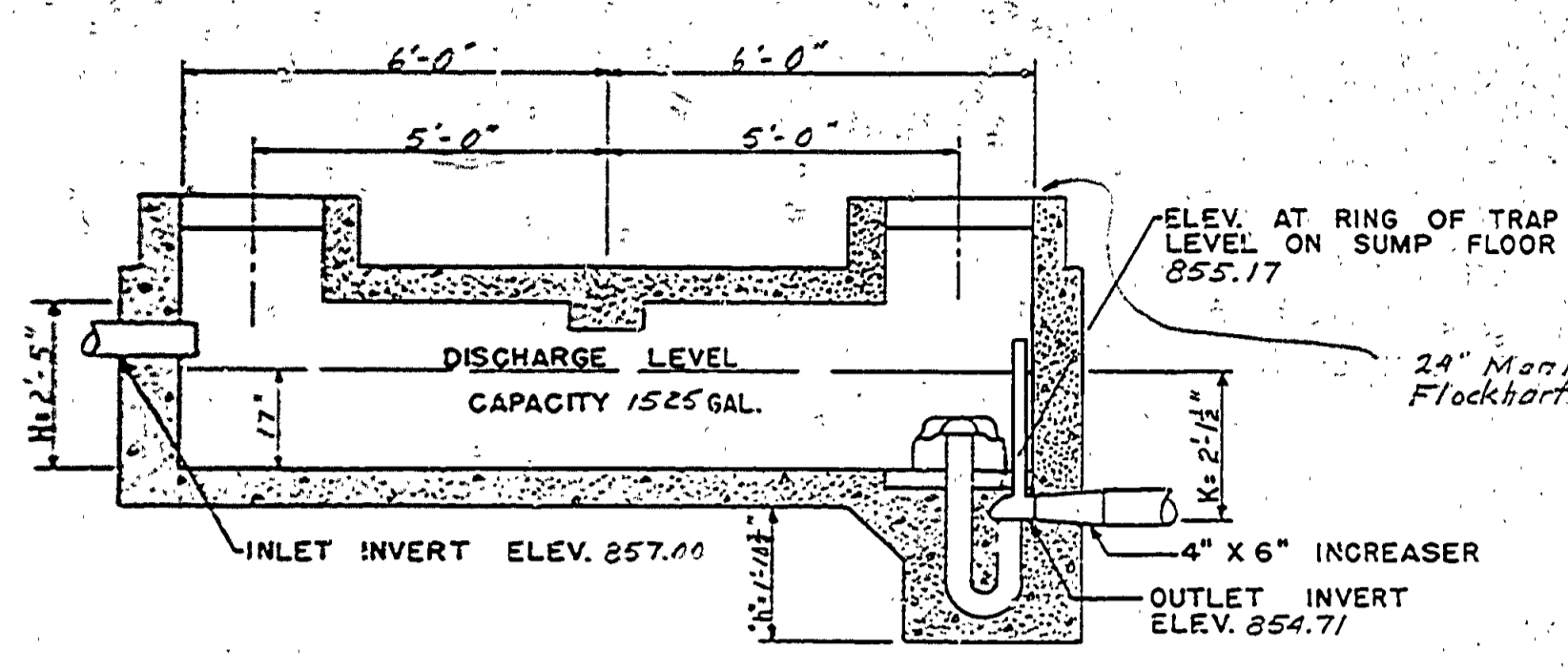


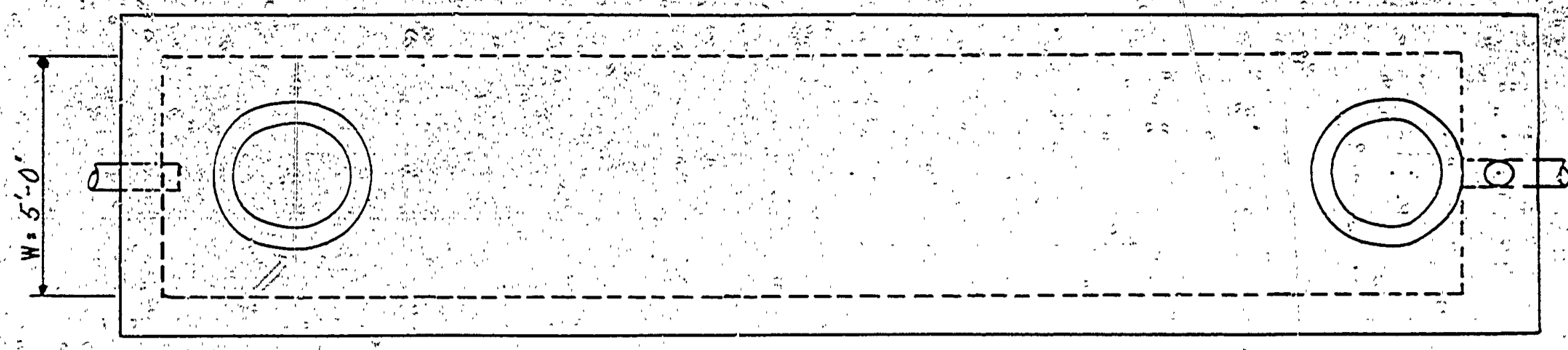
DESIGNED BY B. J. P.	REVIEWED BY SECTIONS ARCHITECTURAL ENGINEERING LANDSCAPE	DATE 7-20-59	APPROVED BY Assistant Chief in Charge OF DESIGN DATE 7-27-59	NO. 1	DATE 7-20-59	BY B. J. P.
CHECKED BY E. J. P.				2		
DATE 8 July 1953				3		
				4		
				5		
				6		
				7		
				8		



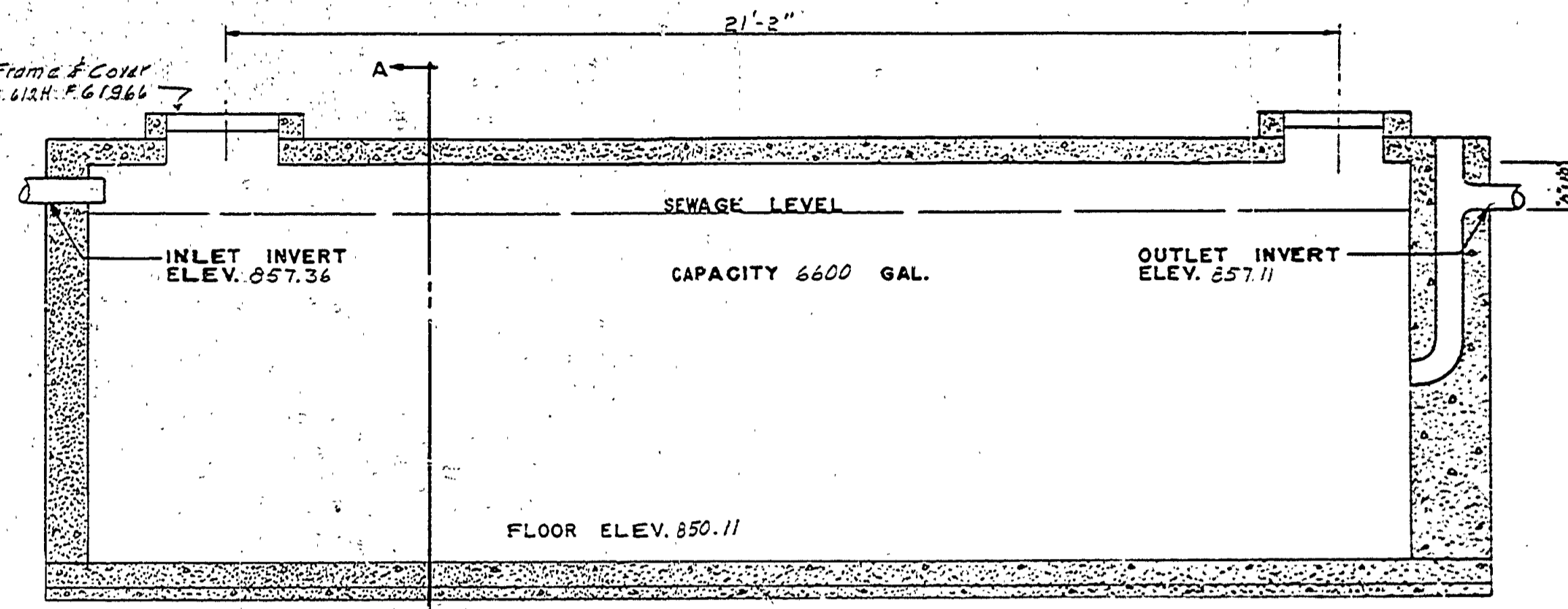
**NOTES FOR DOSING CHAMBER**  
SEE PLAN NO. SE-119 FOR STEEL REINFORCING DETAILS AND DETAIL DIMENSIONS OF DOSING CHAMBER WITH BEAM.  
USE 4" SIPHON WITH 7/8" DRAWDOWN.  
USE S = 12'-0", M = 2'-5", K = 2'-12", H = 1'-10 1/2"



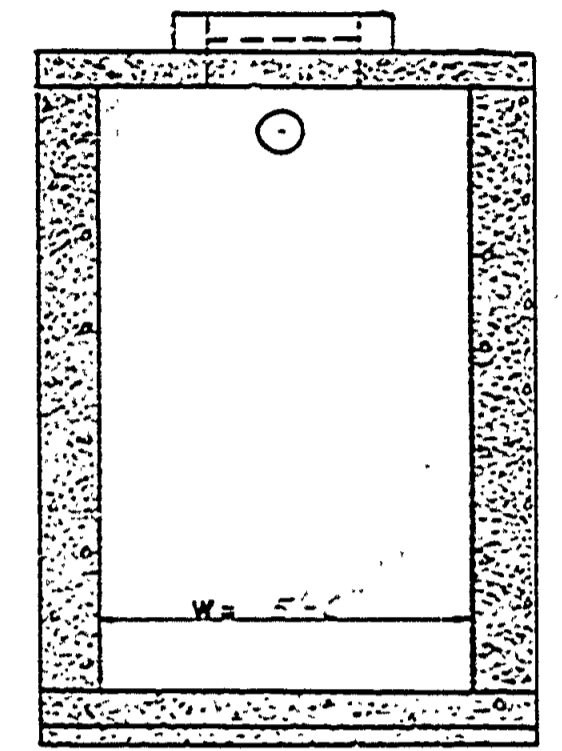
**DOSING CHAMBER**  
NOT TO SCALE



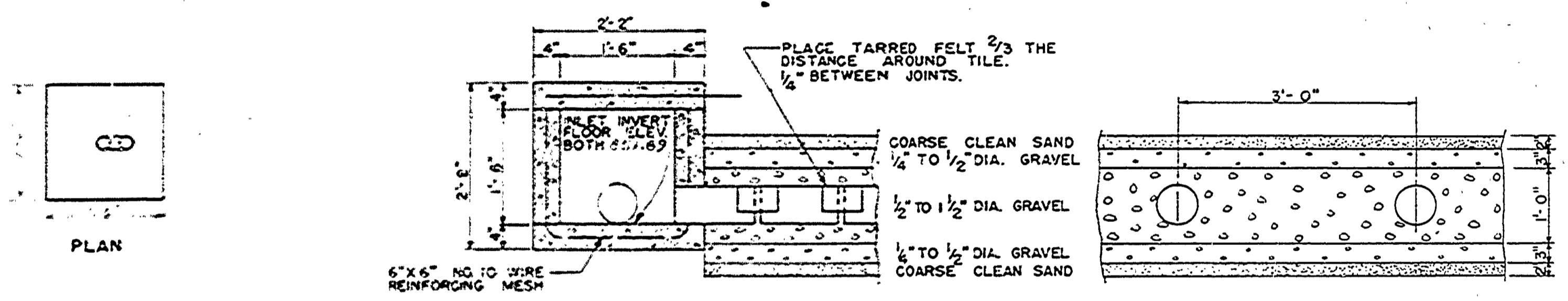
**NOTES FOR SEPTIC TANK**  
SEE PLAN NO. SE-121 FOR STEEL REINFORCING DETAILS AND DETAIL DIMENSIONS.  
USE L = 25'-2", W = 5'-0", H = 1'-0"



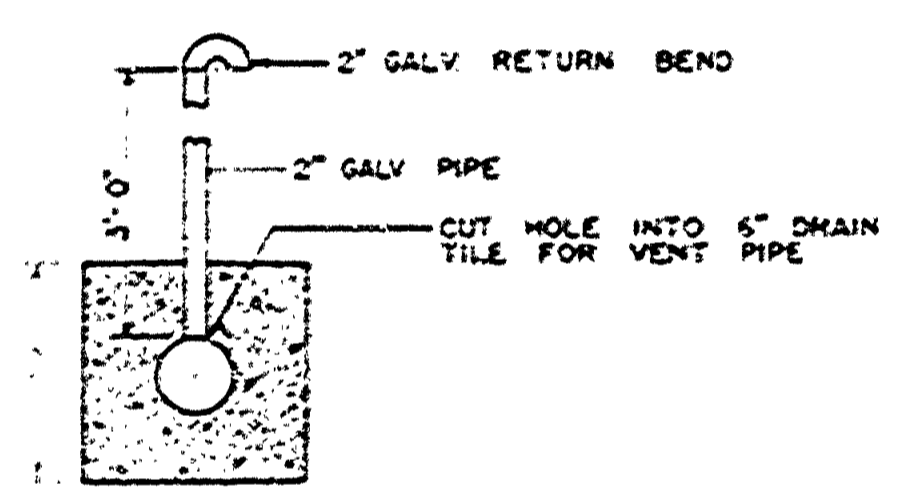
**SEPTIC TANK**  
NOT TO SCALE



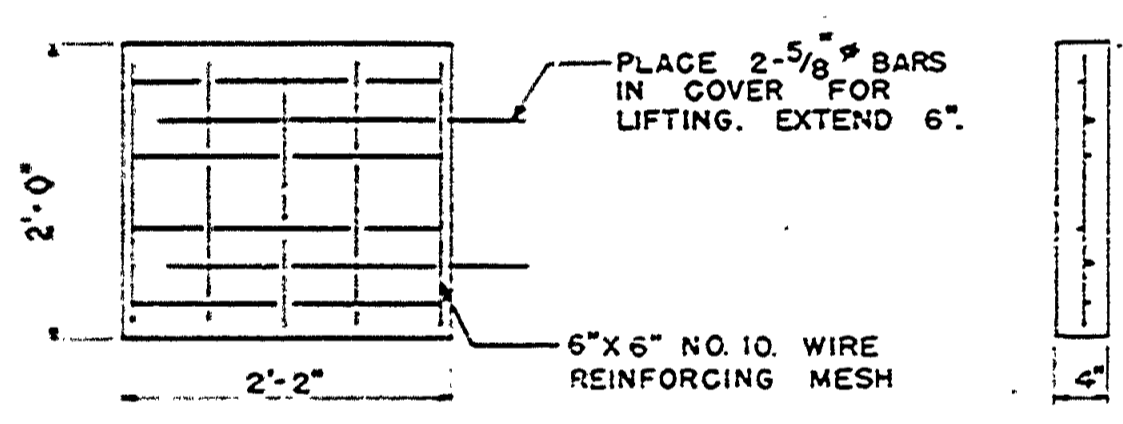
**SECTION A-A**



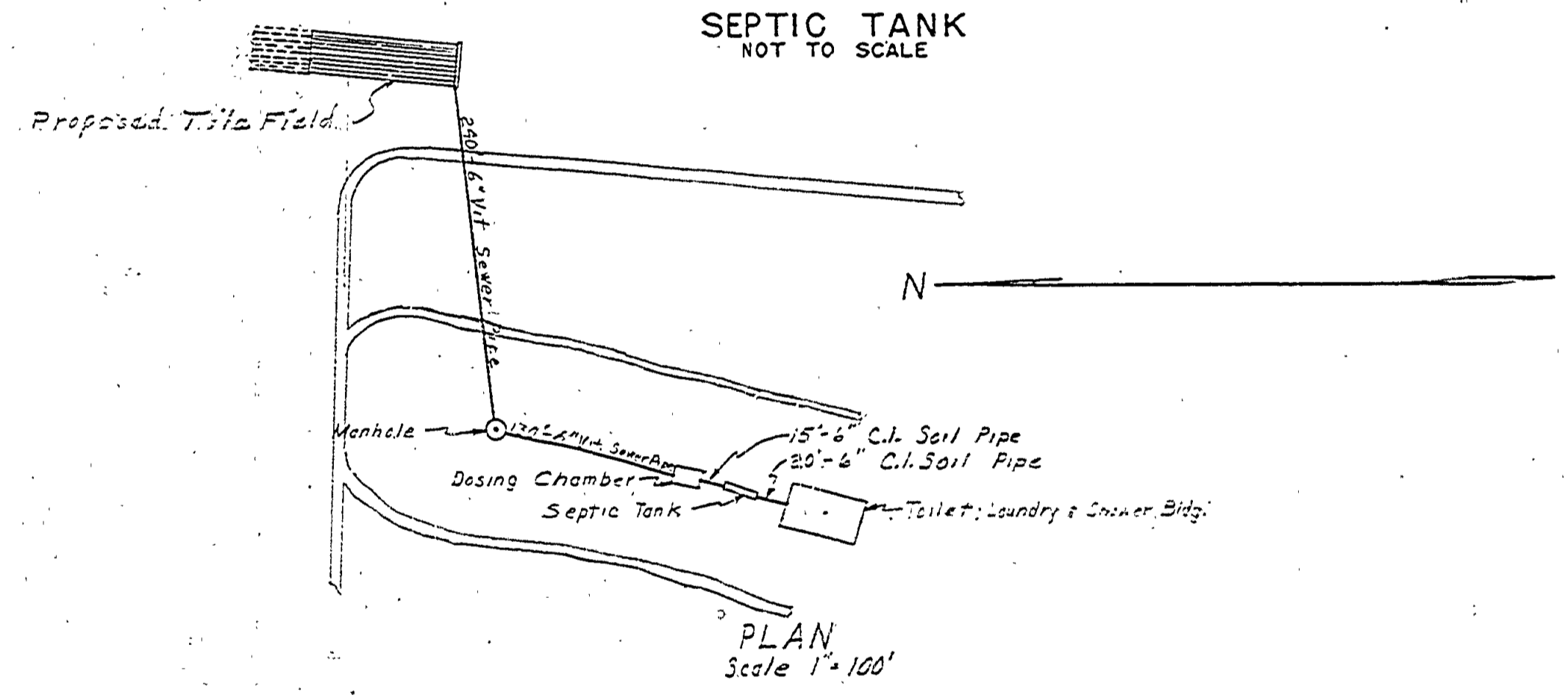
**ELEVATION OF DISPOSAL FIELD**  
NOT TO SCALE



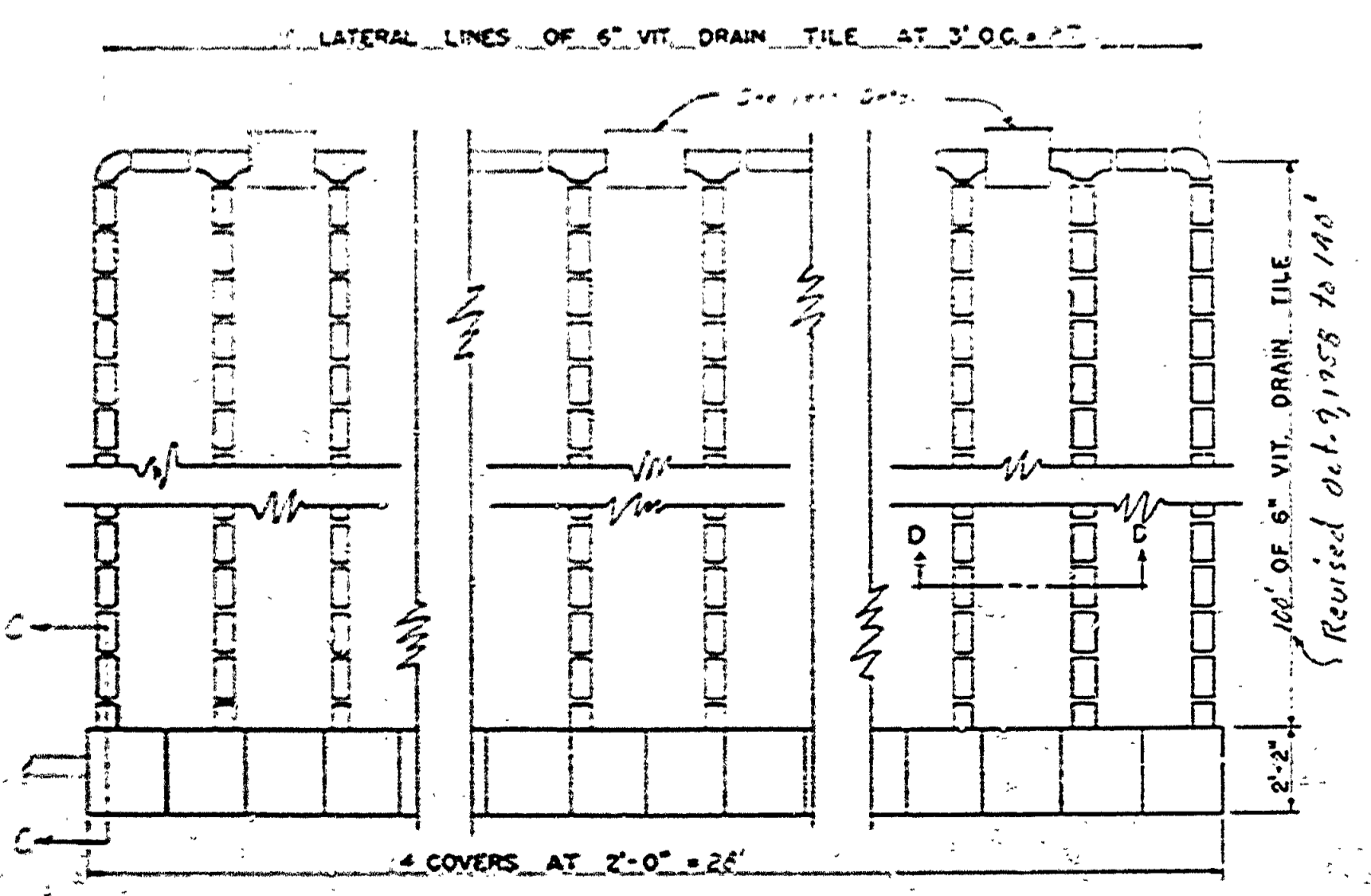
**SECTION VENT DETAIL**  
NOT TO SCALE



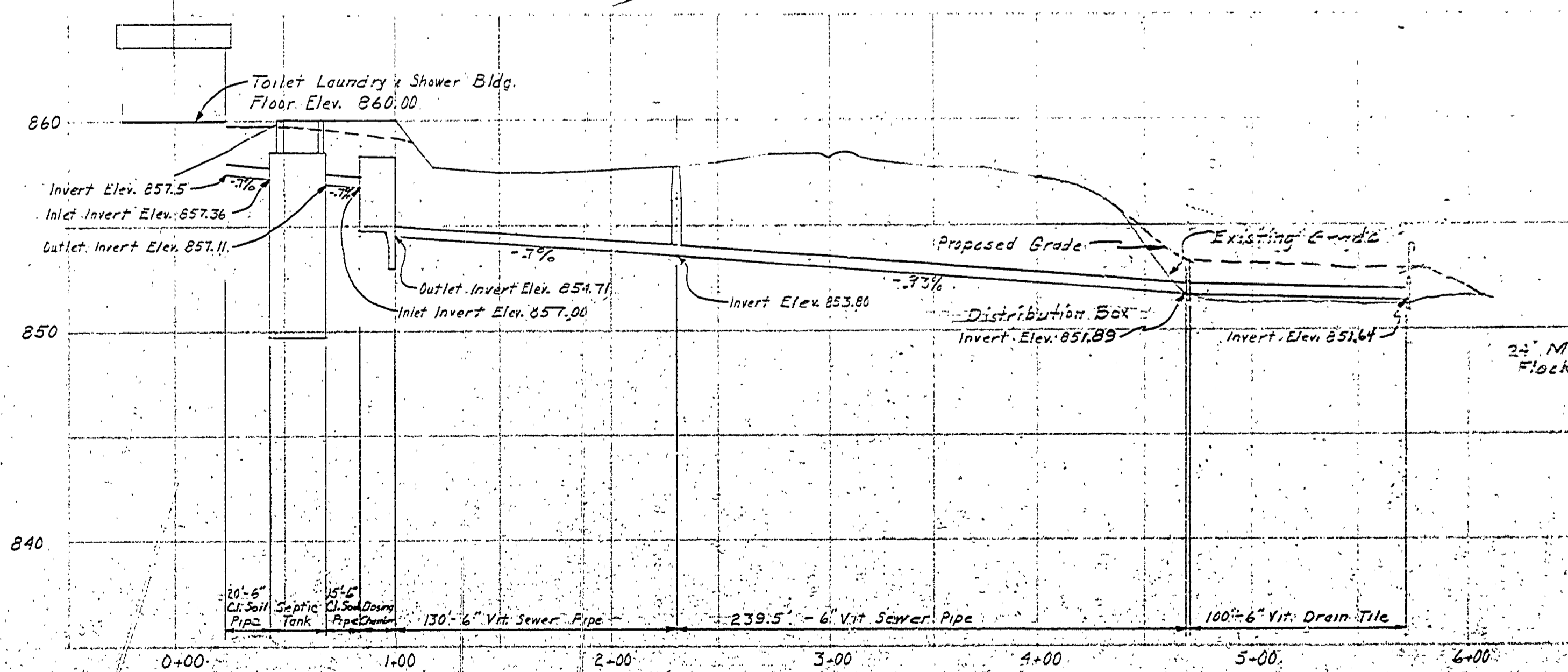
**DISTRIBUTION BOX COVER**  
NOT TO SCALE



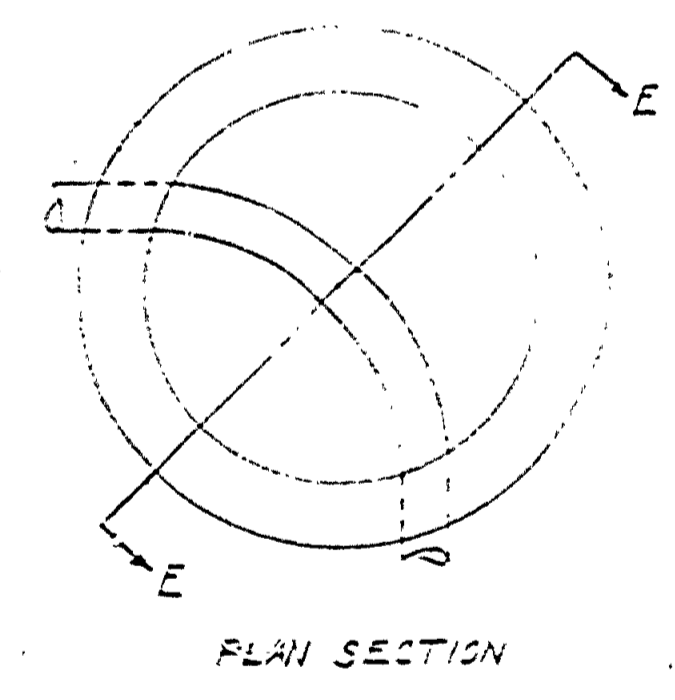
**PLAN**  
Scale 1" = 100'



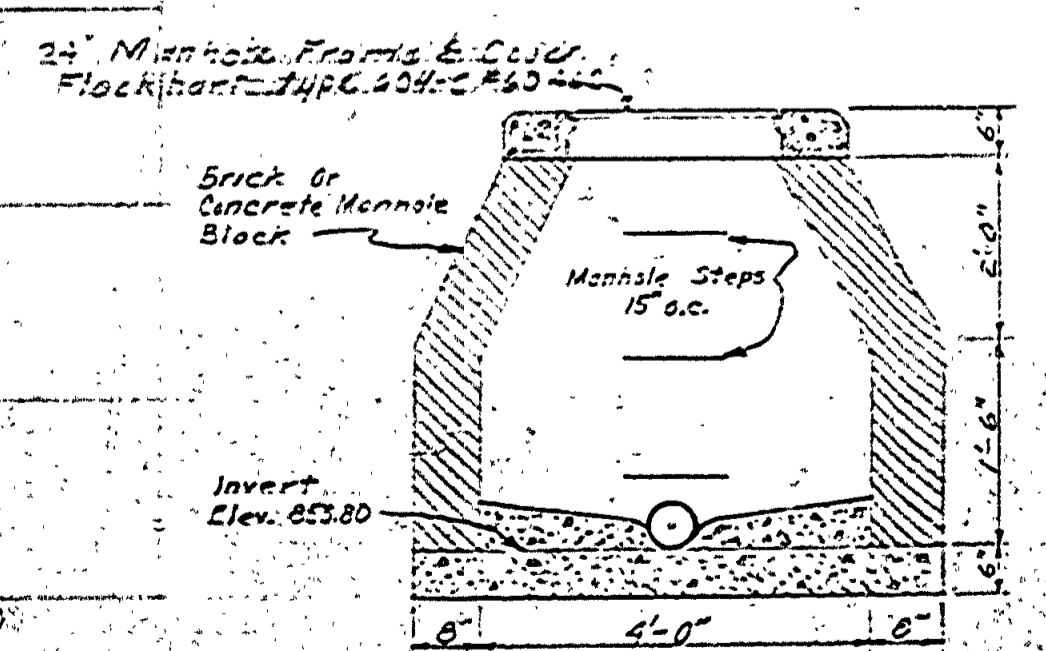
**DISPOSAL FIELD**  
NOT TO SCALE



**PROFILE**  
Scale: Hor. 1" = 50',  
Vert. 1" = 5'



**PLAN SECTION**



**SECTION E-E**  
**MANHOLE DETAIL**  
NOT TO SCALE

MICHIGAN  
DEPARTMENT OF CONSERVATION  
PARKS AND RECREATION DIVISION

INTERLOCHEN STATE PARK  
NORTH CAMPGROUND TOILET LAUNDRY  
AND SHOWER BLDG. SEWAGE DISPOSAL SYSTEM  
Scale as shown

SHEET NO. 1 OF 3  
PLAN NO. E-114

DESIGNED BY B. J. P. ARCH. SE. 114-1 SE 121