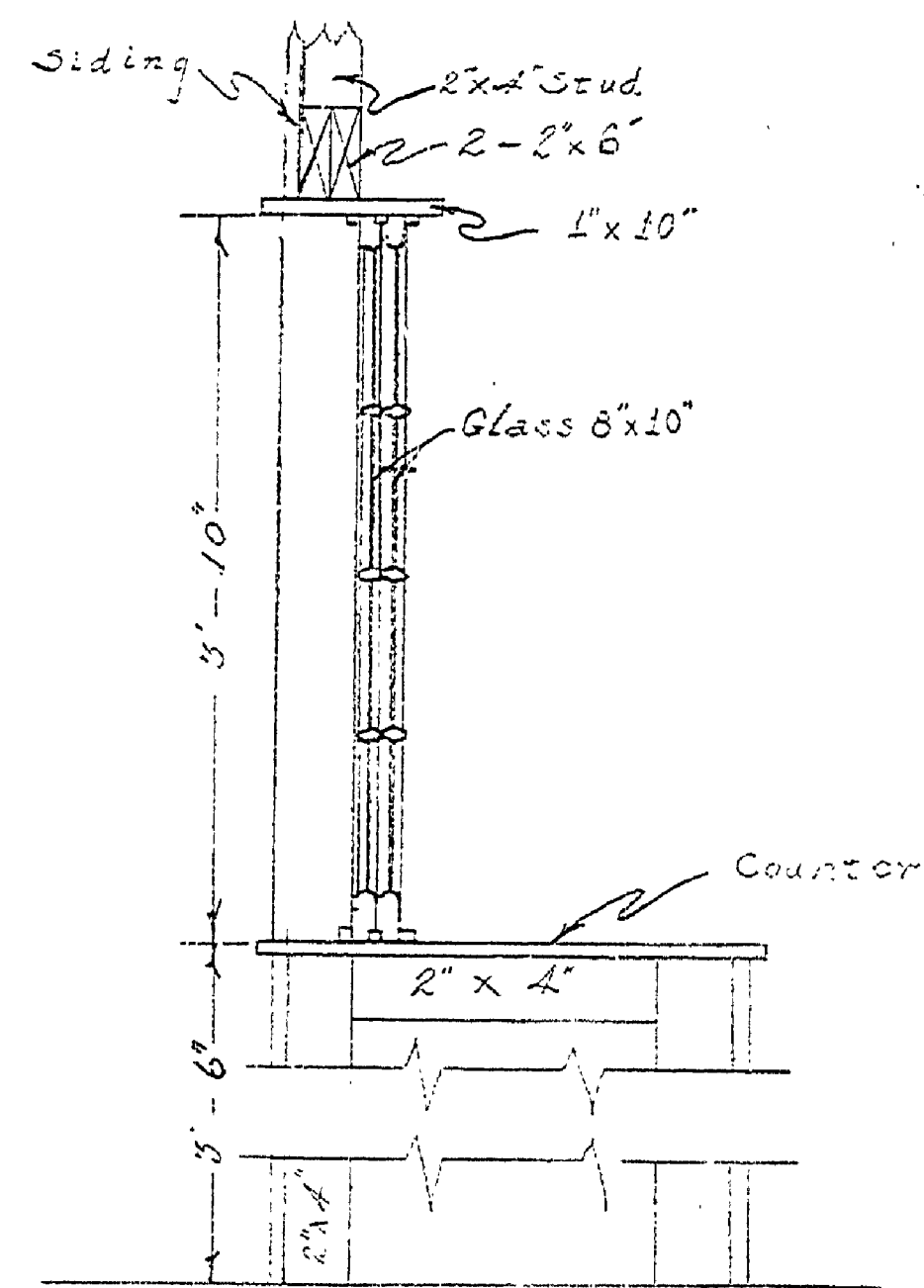
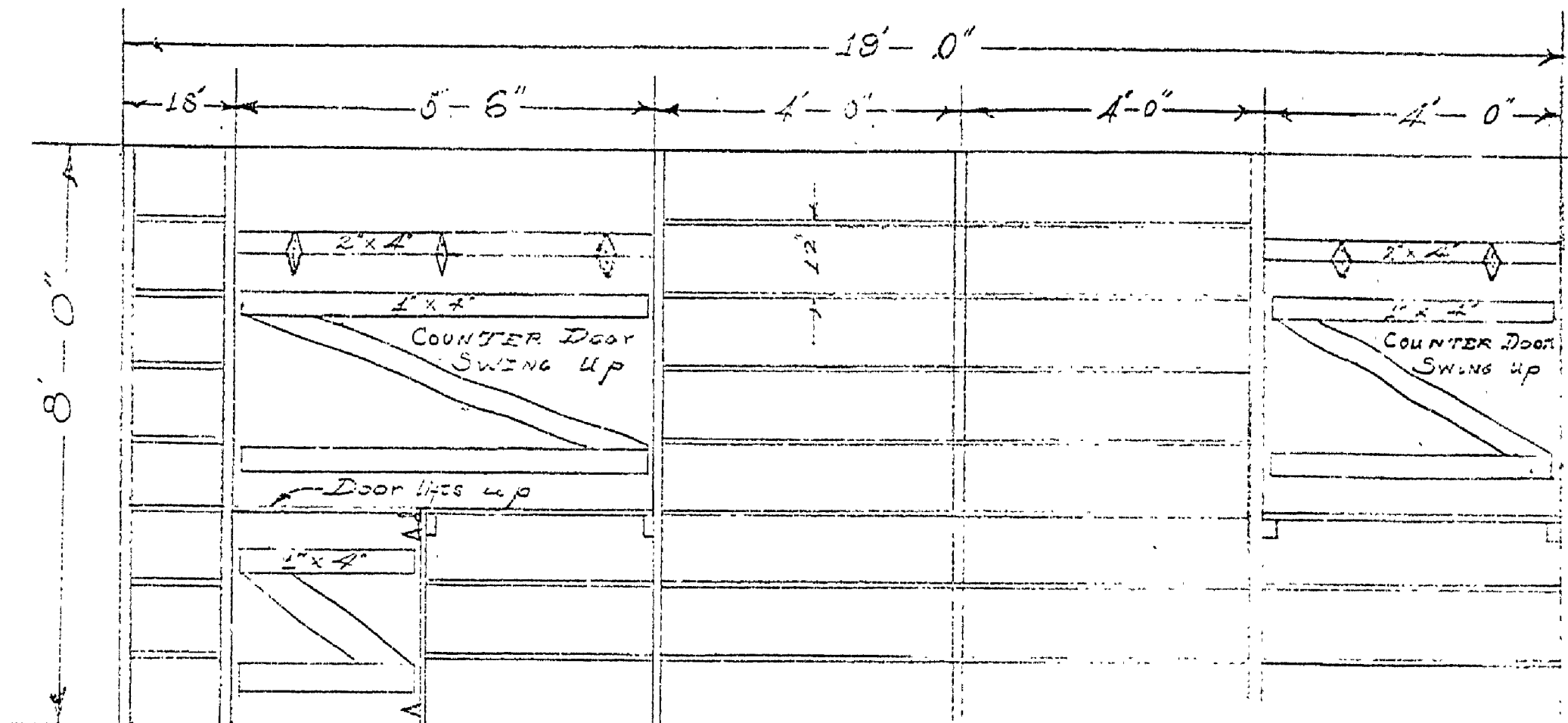


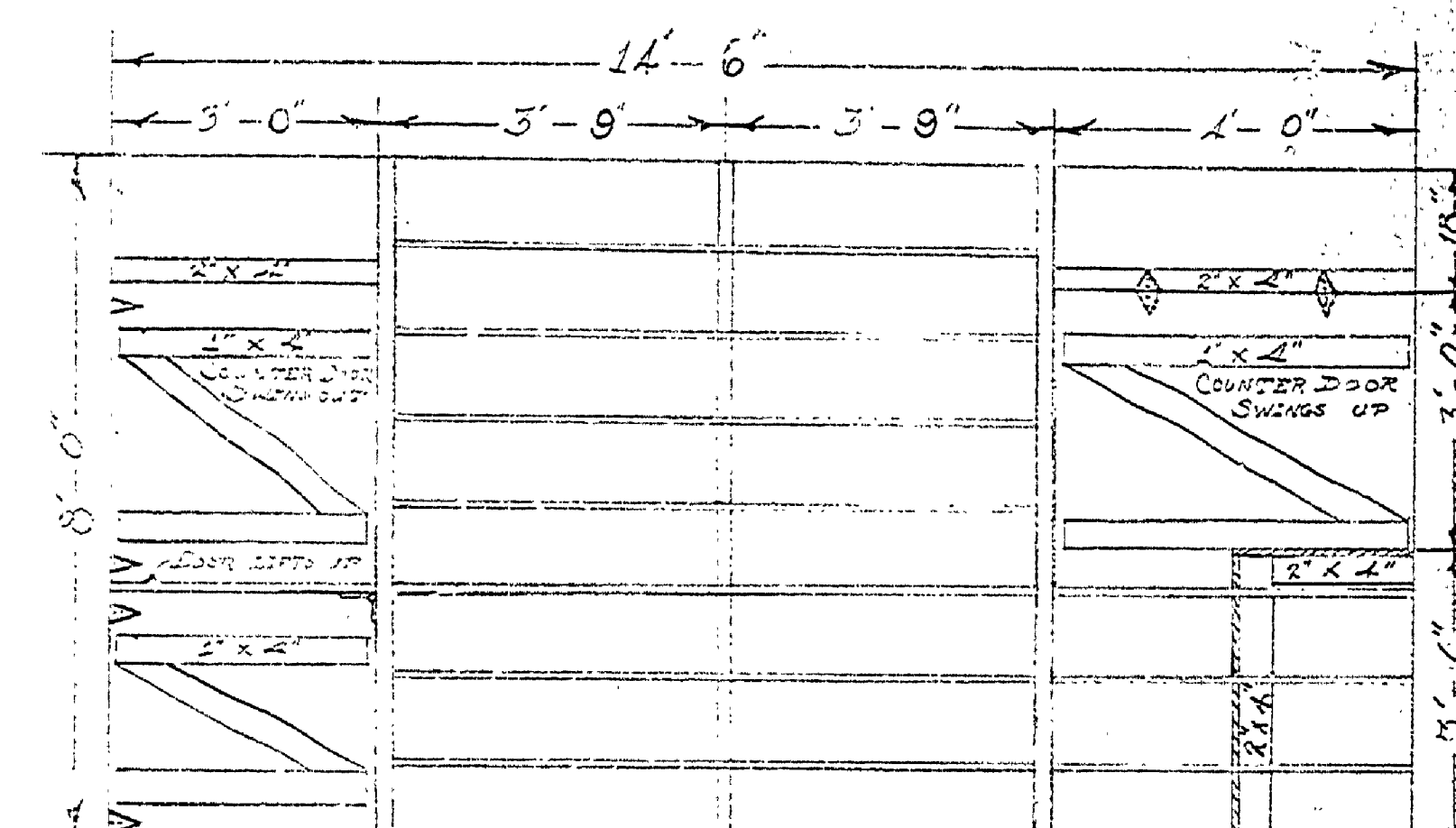
TYPICAL COUNTER DOOR
TO SWING UP IN
REAR ONE TO WOMEN, SWINGS OUT
Scale - 1/2" = 1'



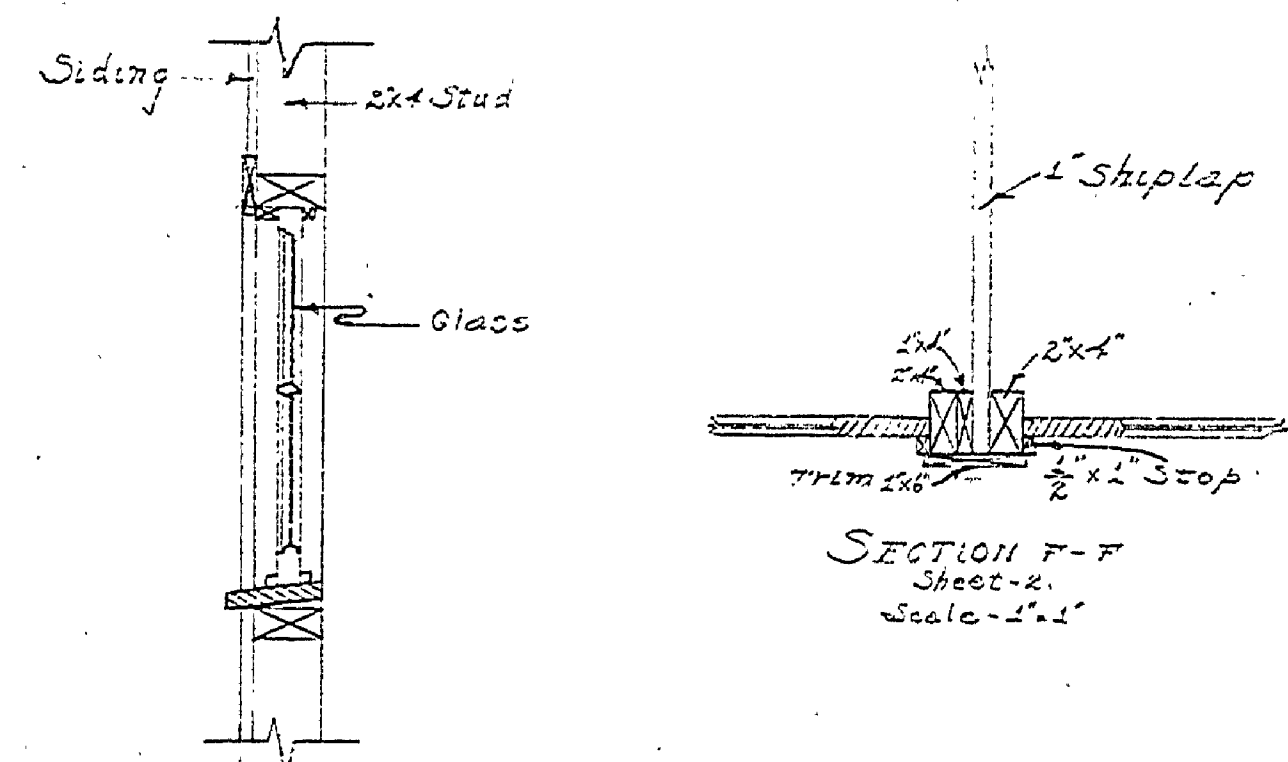
DETAIL SECTION
FRONT COUNTER WINDOW TO SLIDE
IN GROOVE
Scale - 1/2" = 1'



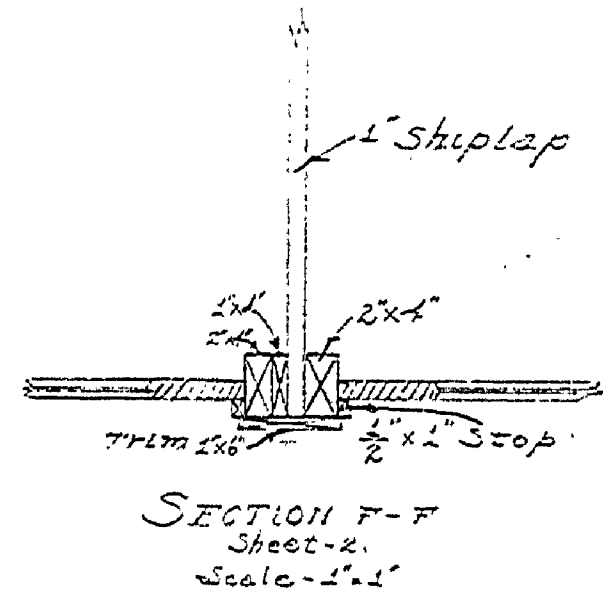
SECTION D-D
Scale - 1/2" = 1'



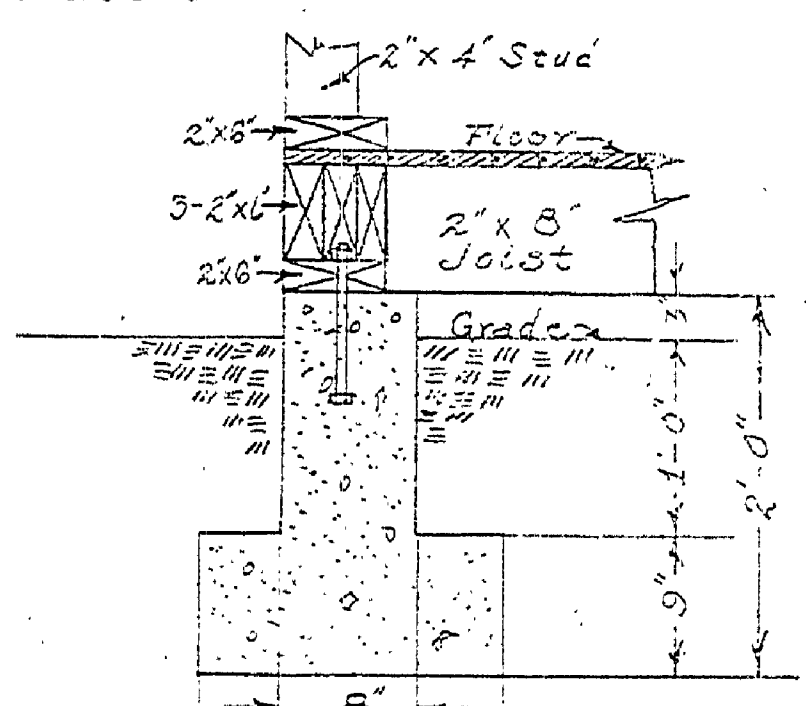
SECTION E-E
Scale - 1/2" = 1'



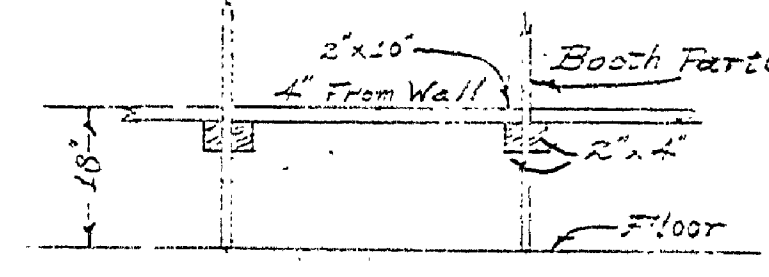
TYPICAL WINDOW HEAD
SILL DETAIL
Scale - 1/2" = 1'



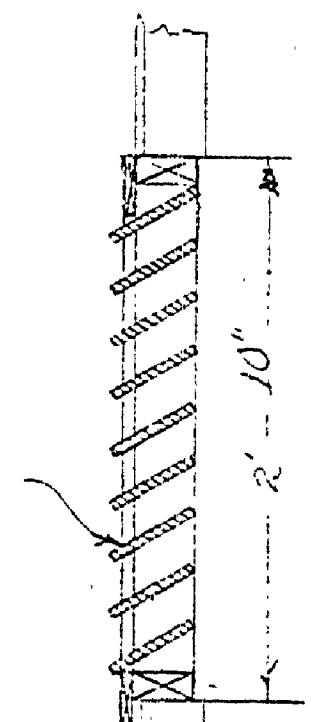
SECTION F-F
Scale - 1/2" = 1'



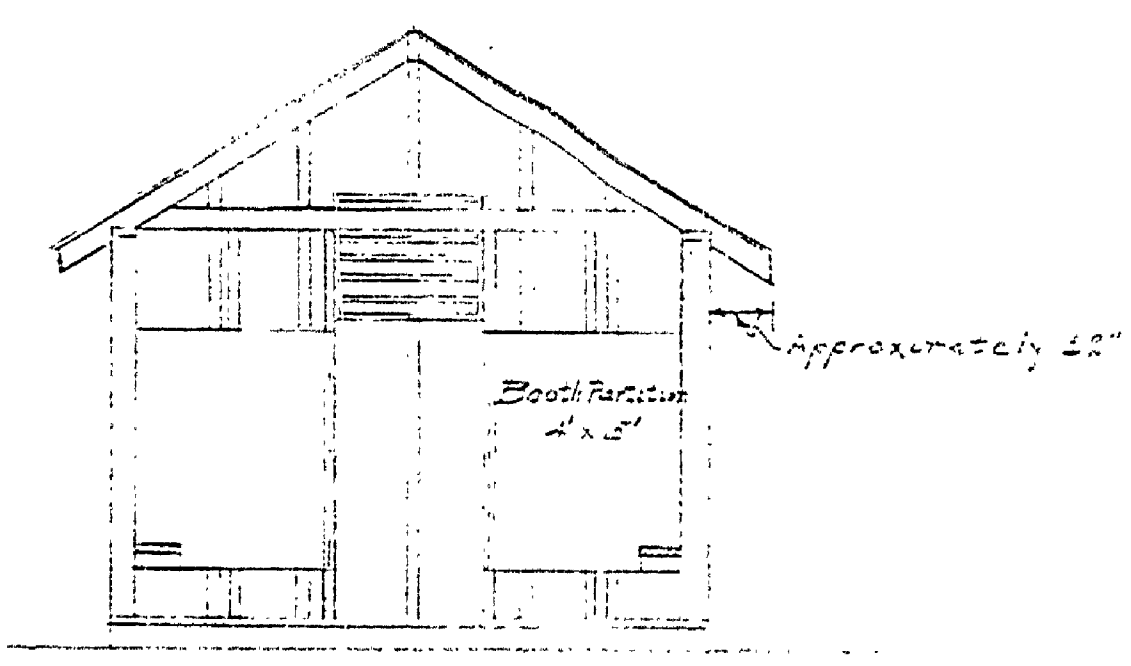
OUTSIDE WALL
AND FOOTING DETAIL
Scale - 1/2" = 1'



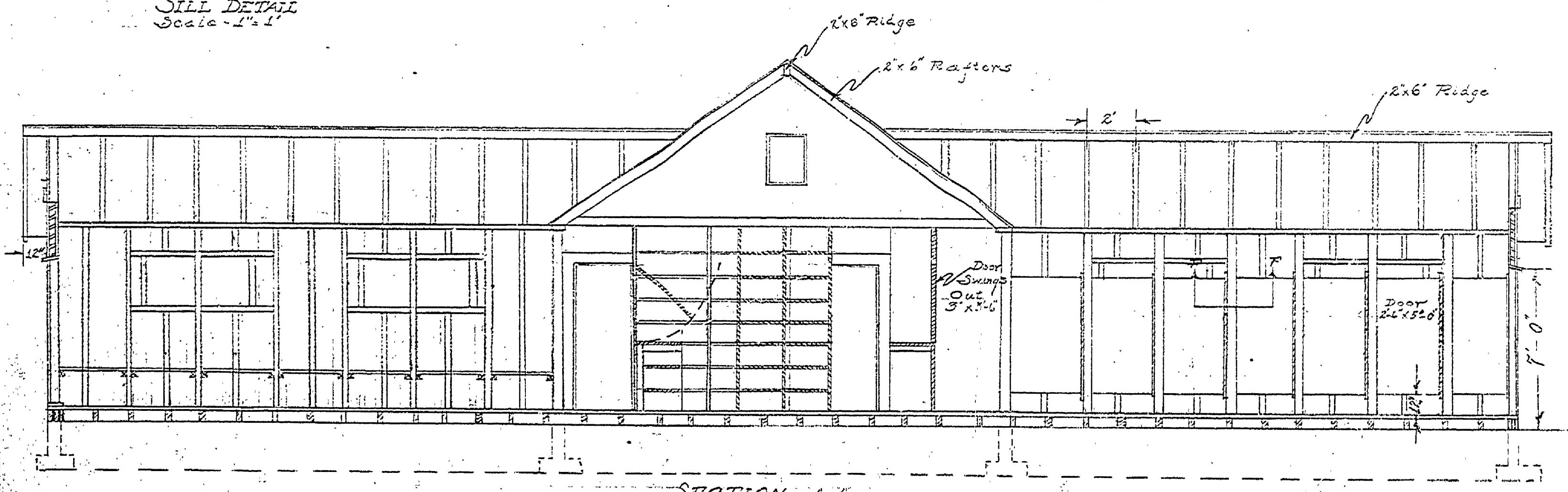
BOOTH SEAT DETAIL
Scale - 1/2" = 1'



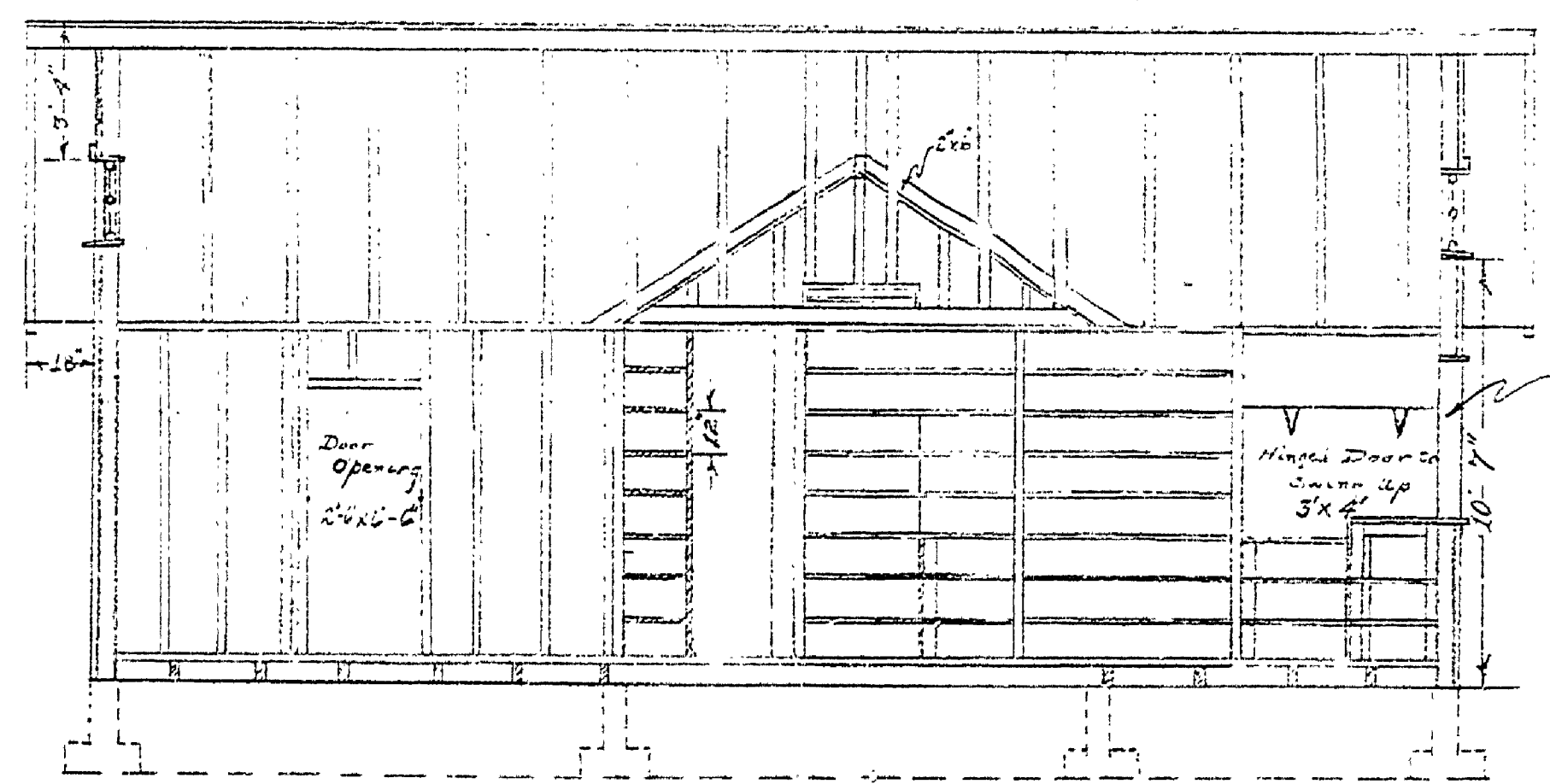
SECTION
ON LOWER DETAIL
Scale - 1/2" = 1'



SECTION C-C
Scale - 1/2" = 1'



SECTION A-A
Scale - 1/2" = 1'



SECTION B-B
Scale - 1/2" = 1'

Counter Window Opening
Section View and Detail Above

BATH HOUSE
FOR
MICHIGAN STATE PARK
DEPARTMENT OF CONSERVATION
SCALE - 1/2" = 1' DATE - 4/9/29
John I. Rogers

INSURANCE No. 1 A-99

Atkins

F 510