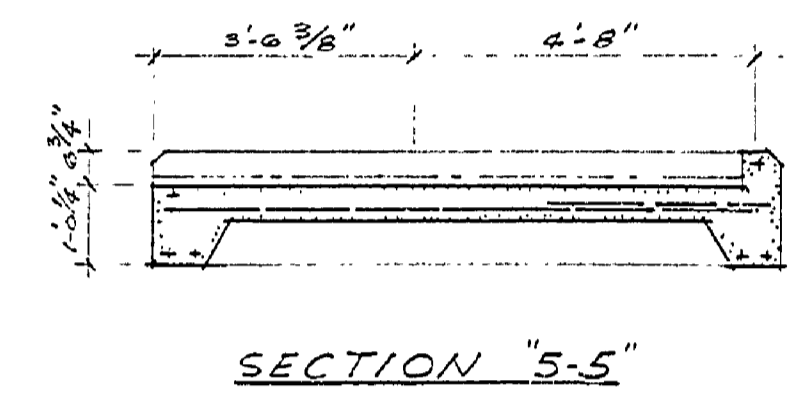
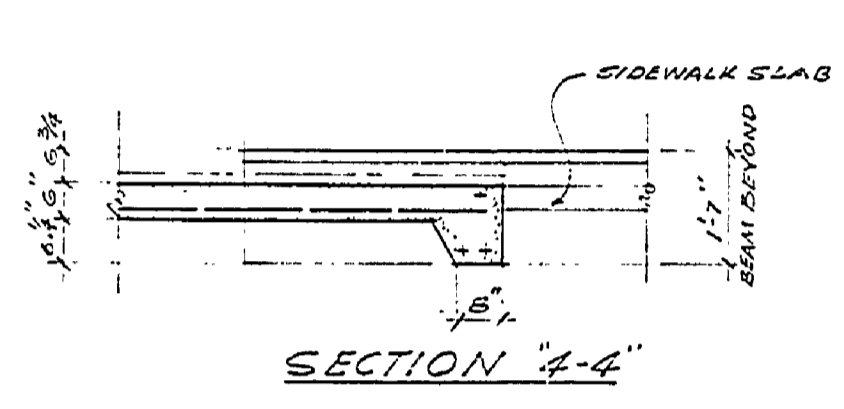
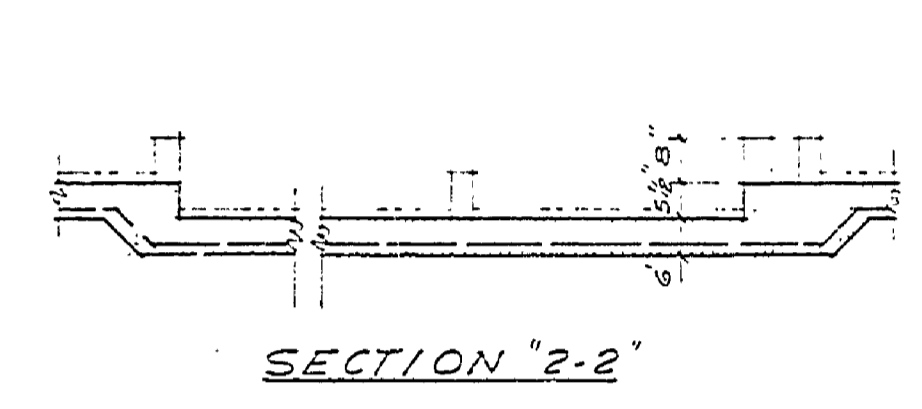
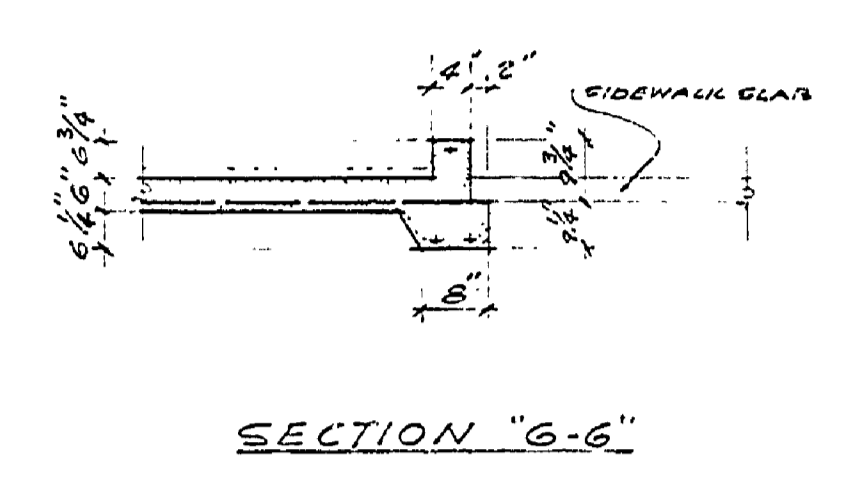
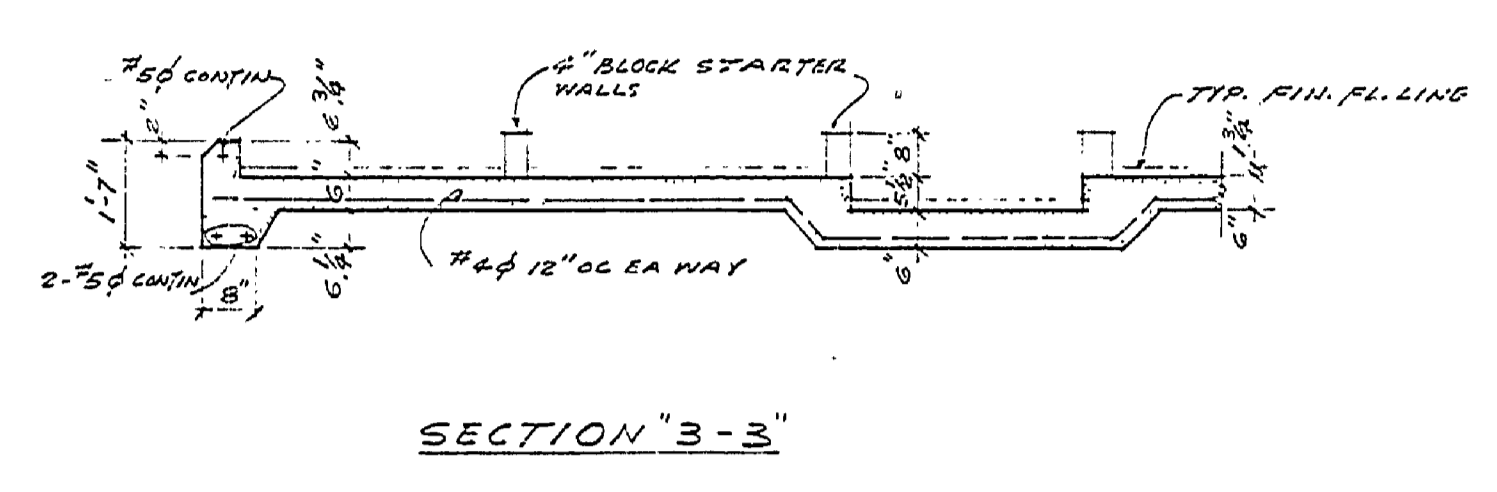
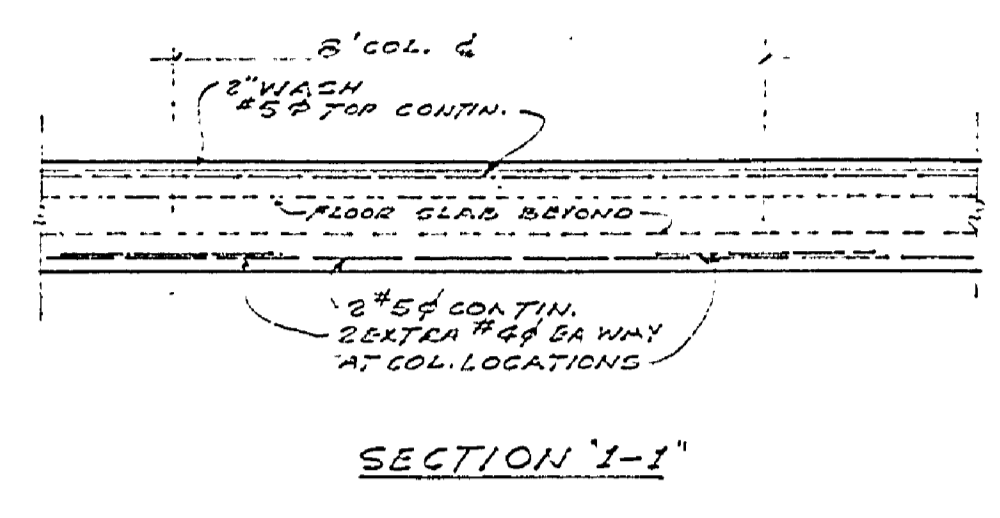
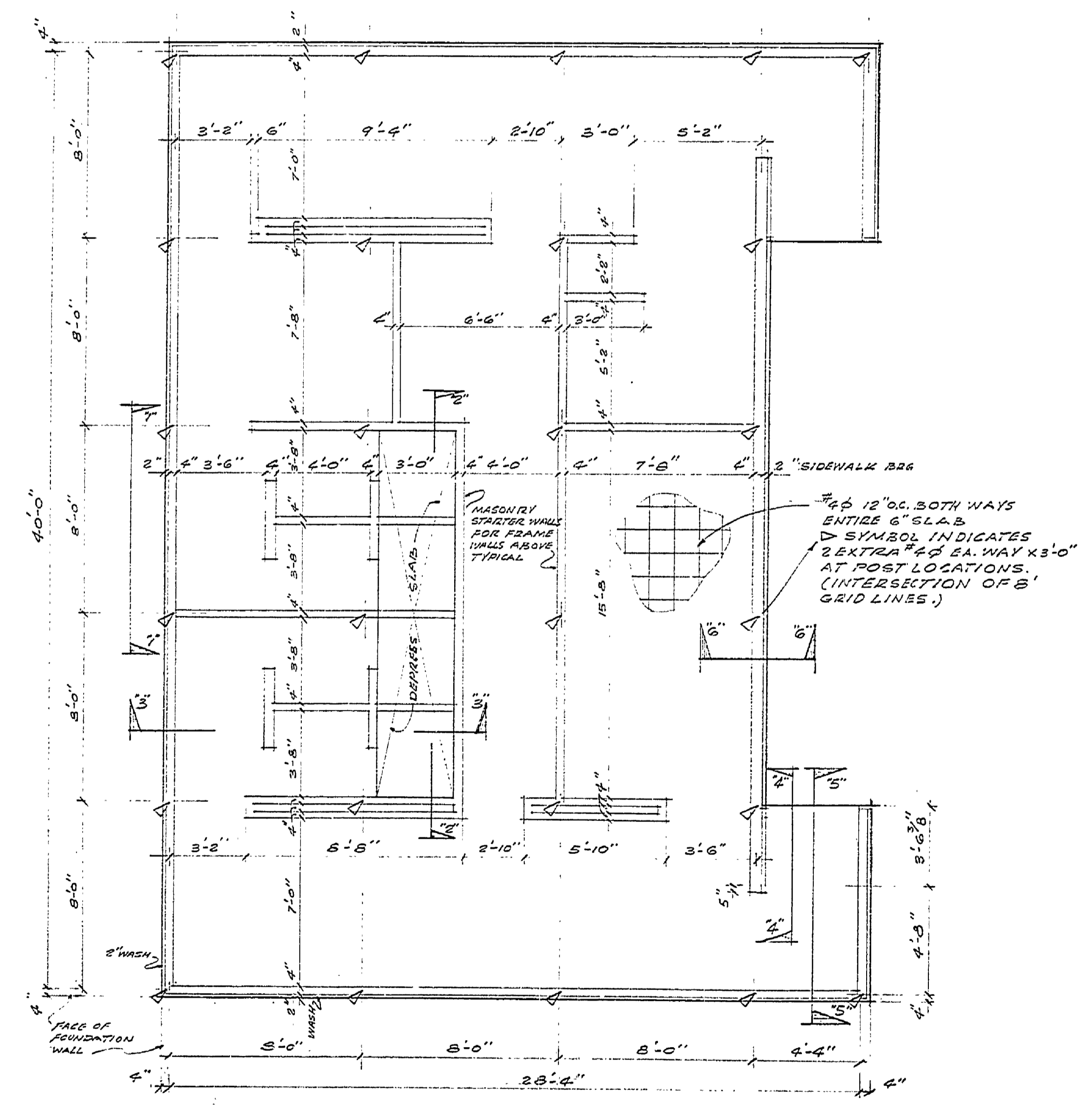


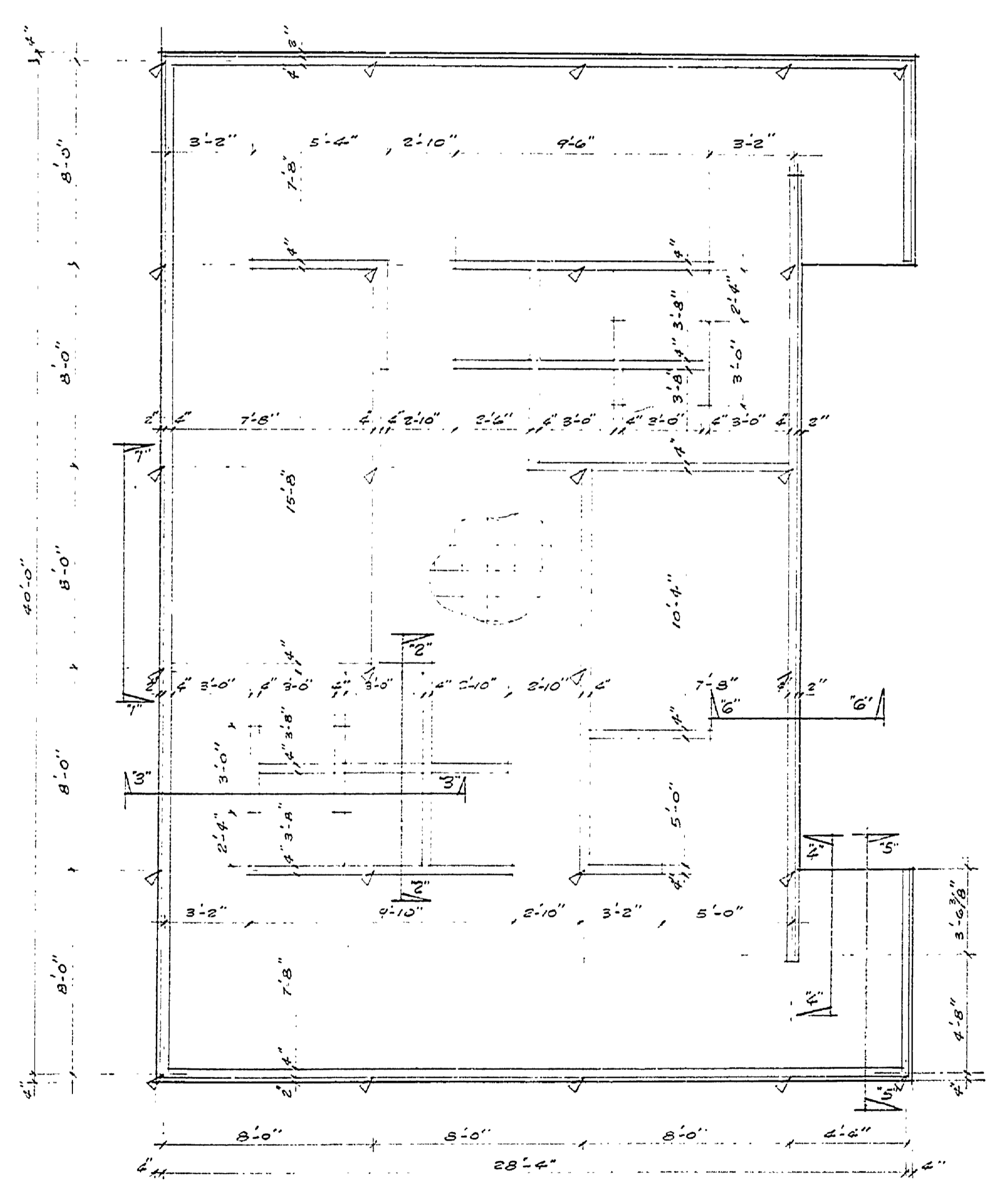
DESIGNED BY	DATE	REVIEWED	DATE	APPROVED	DATE	NO.	DATE	BY	REVISIONS	DATE	BY
W.M.C.	5-29-63	ARCHITECTURAL	5-29-63	<i>[Signature]</i>	7/9/63	1			4		
W.M.C.	5-29-63	ENGINEERING	5-31-63			2			5		
W.M.C.	5-29-63	LANDSCAPE	5-31-63			3			6		



FOUNDATION SECTIONS  
SCALE 3/8"=1'-0"



FOUNDATION PLAN  
SCALE 1/4"=1'-0"  
BLDG # 7



FOUNDATION PLAN  
SCALE 1/4"=1'-0"  
BLDG # 8

MICHIGAN  
DEPARTMENT OF CONSERVATION  
PARKS AND RECREATION DIVISION

REVISED FOUNDATION DRAWINGS  
ALOHA STATE PARK  
TOILET & SHOWER BLDGS # 7 & 8  
SHEET NO. 2 OF 5  
PLAN NO. A101402103