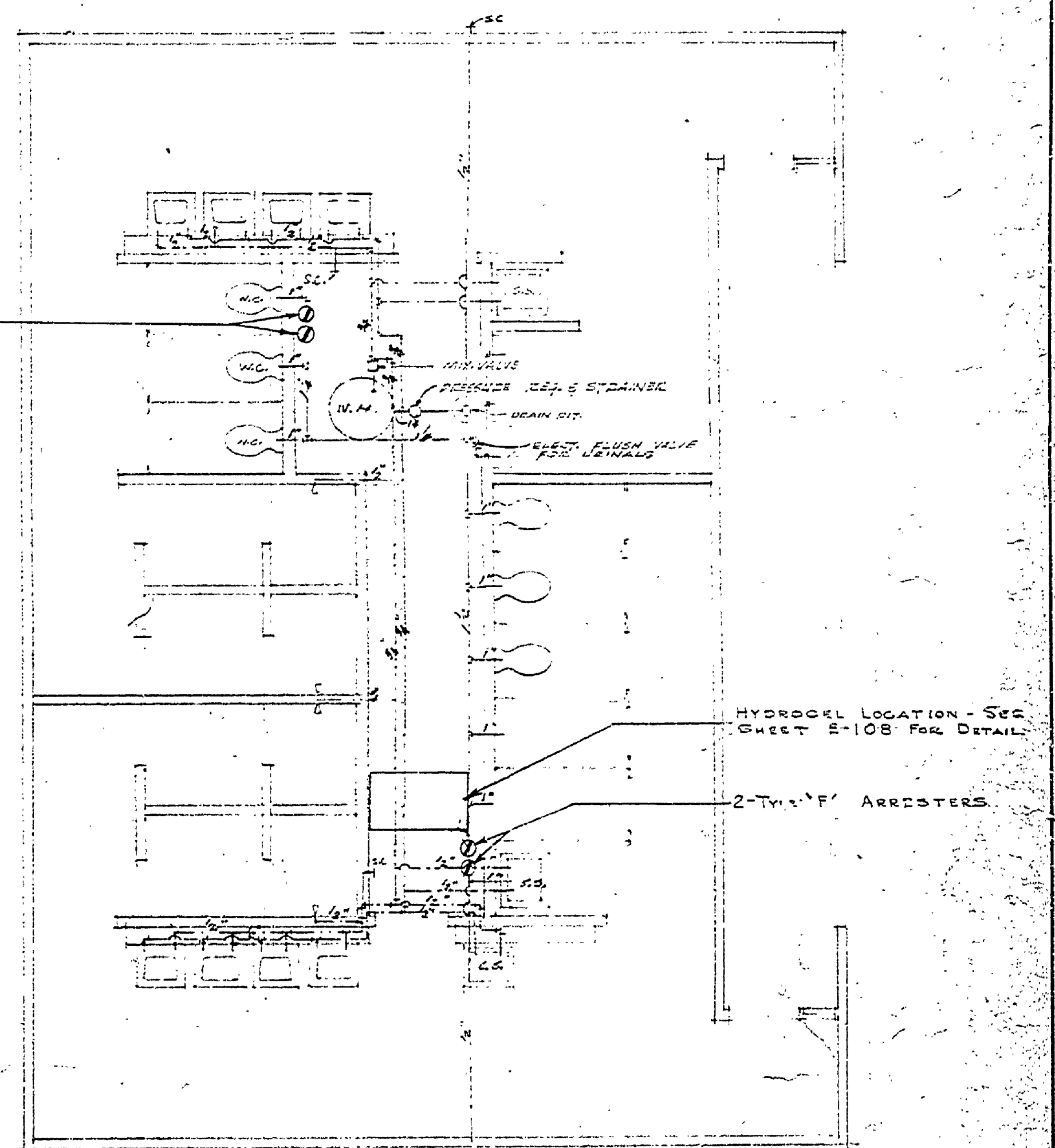
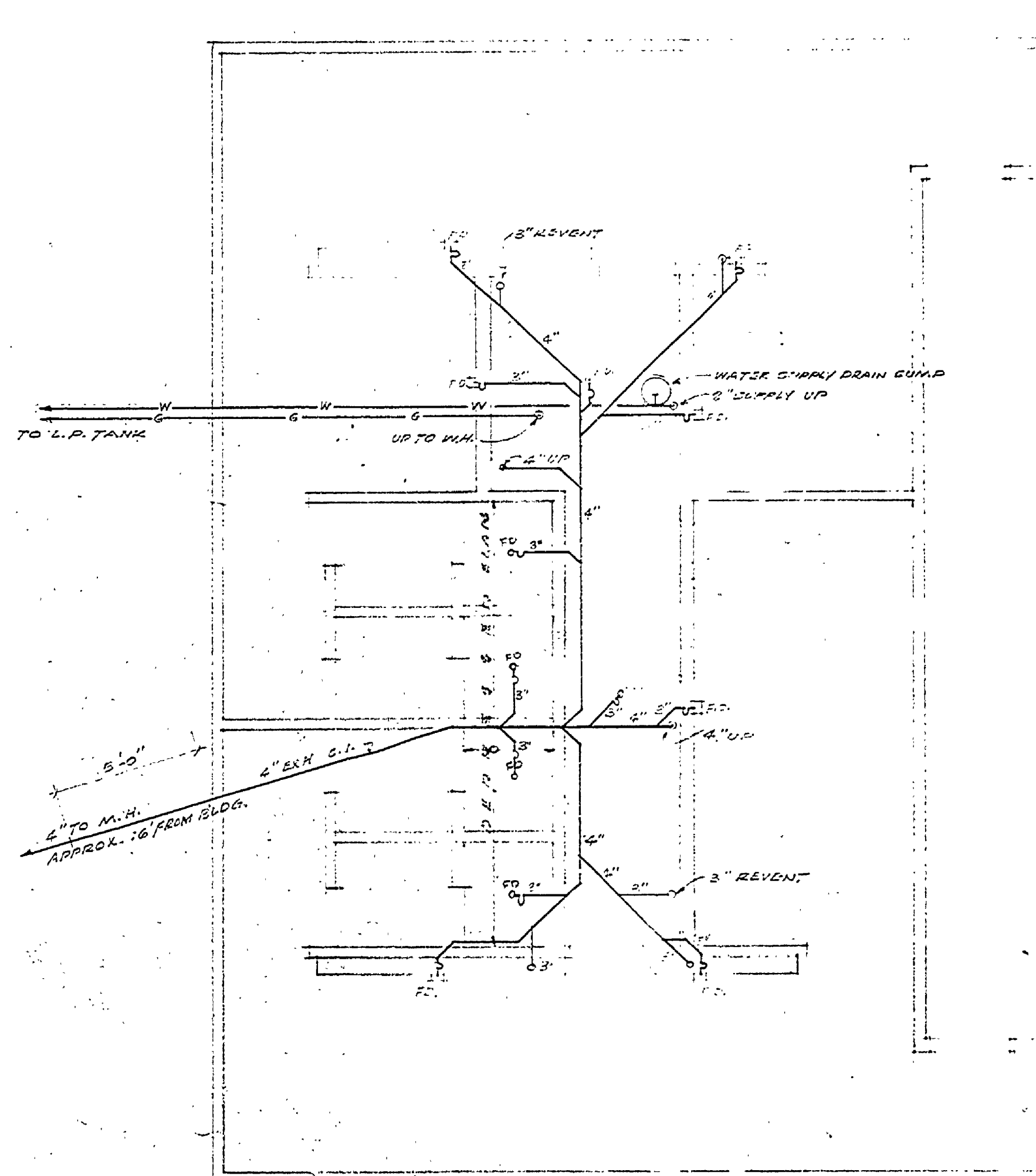
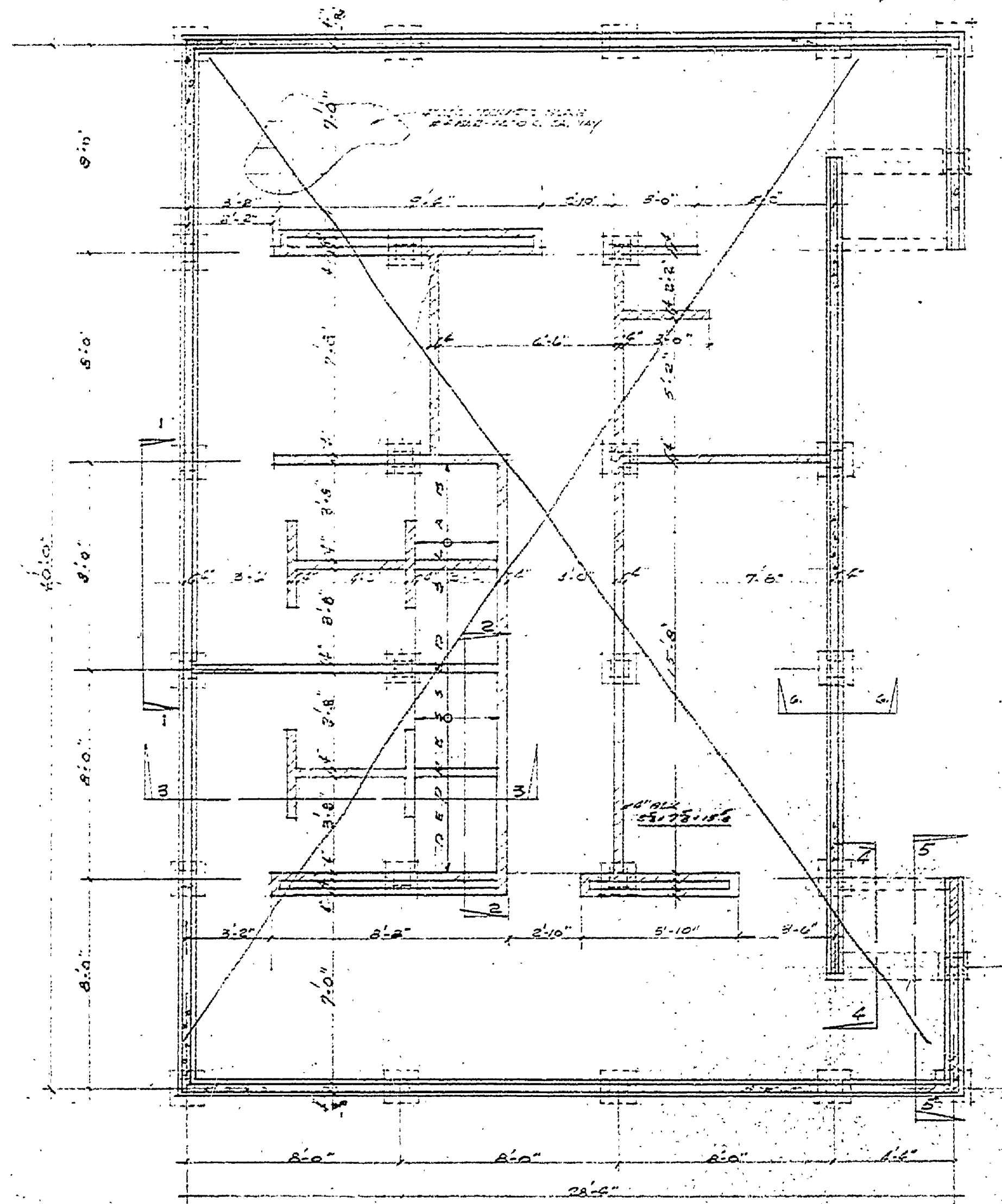
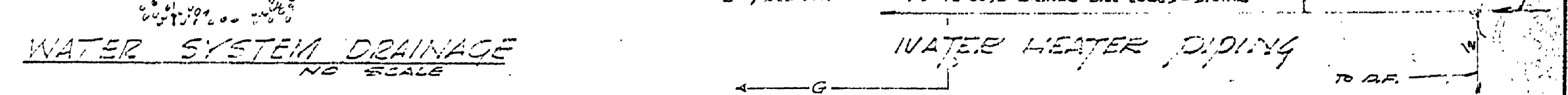
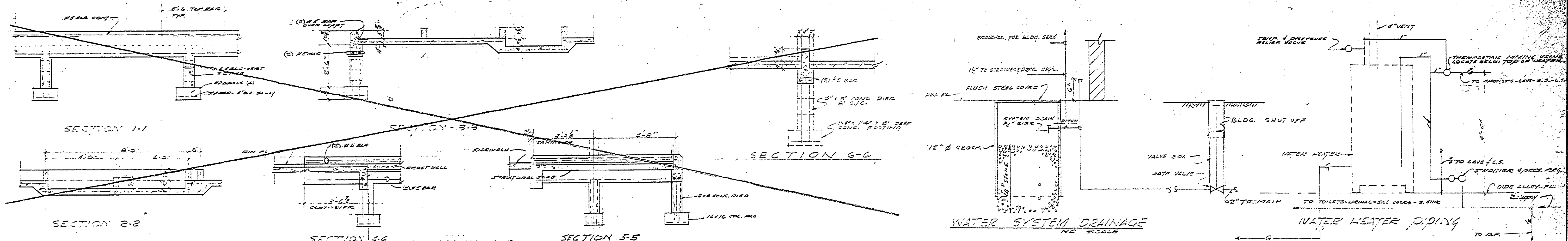


DESIGNED BY	DATE	REVIEWED	DATE	APPROVED	DATE NO.	DATE BY	REVISIONS
W. H. G.	7-20-61	ARCHITECTURAL	3-2-61	<i>[Signature]</i>	1	12/65	4
W. H. G.	7-21-61	ENGINEERING	7-12-61	<i>[Signature]</i>	2	RMB	5
W. H. G.	7-21-61	LANDSCAPE	3-12-63	<i>[Signature]</i>	3		6



MICHIGAN  
DEPARTMENT OF CONSERVATION  
PARKS AND RECREATION DIVISION

FOUNDATION PLAN - PLUMBING PLANS  
ALPHA STATE PARK  
TOILET AND SHOWER BUILDING #9  
SHEET NO. 2 OF 5  
PLAN NO. A-103