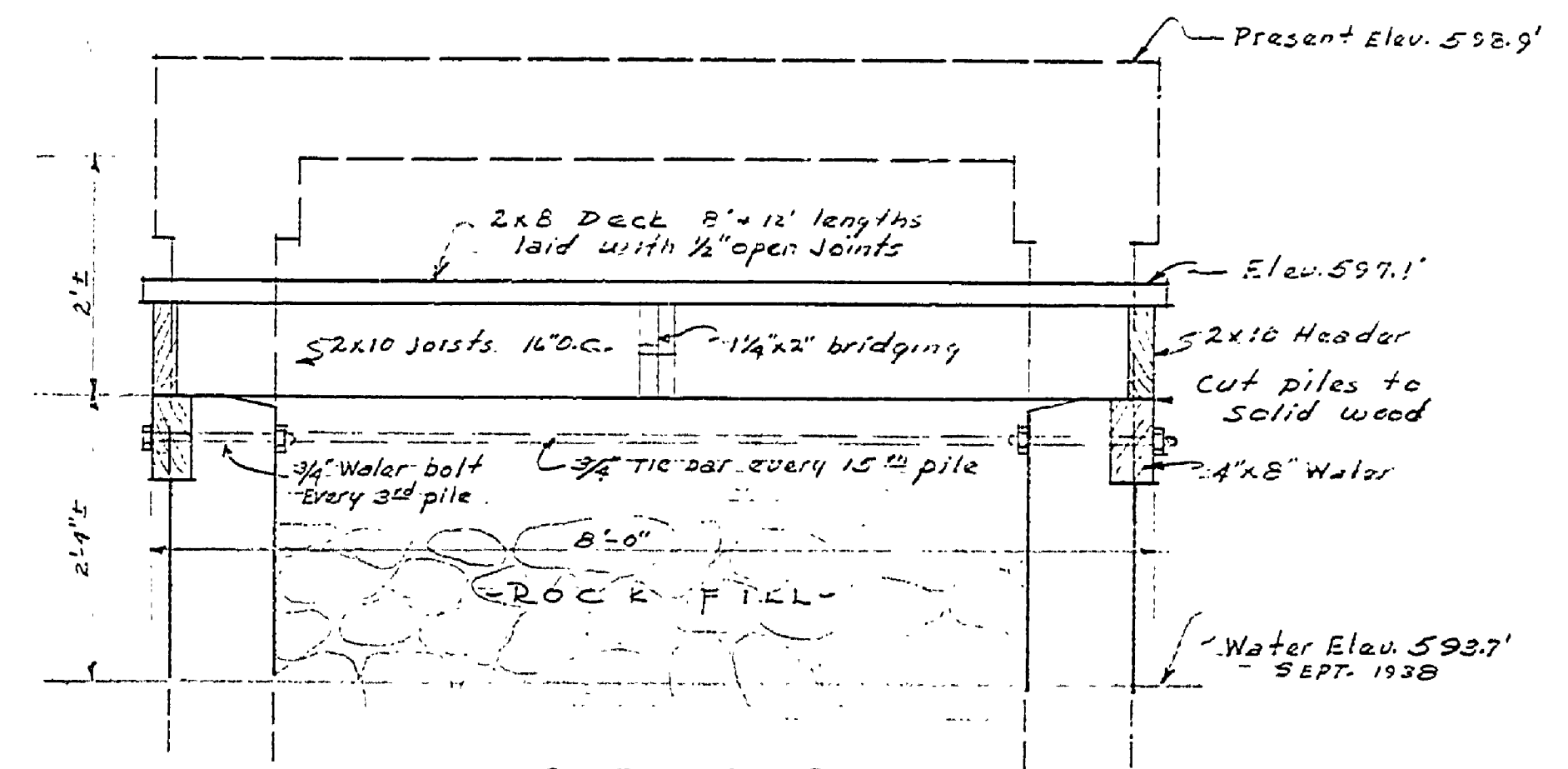
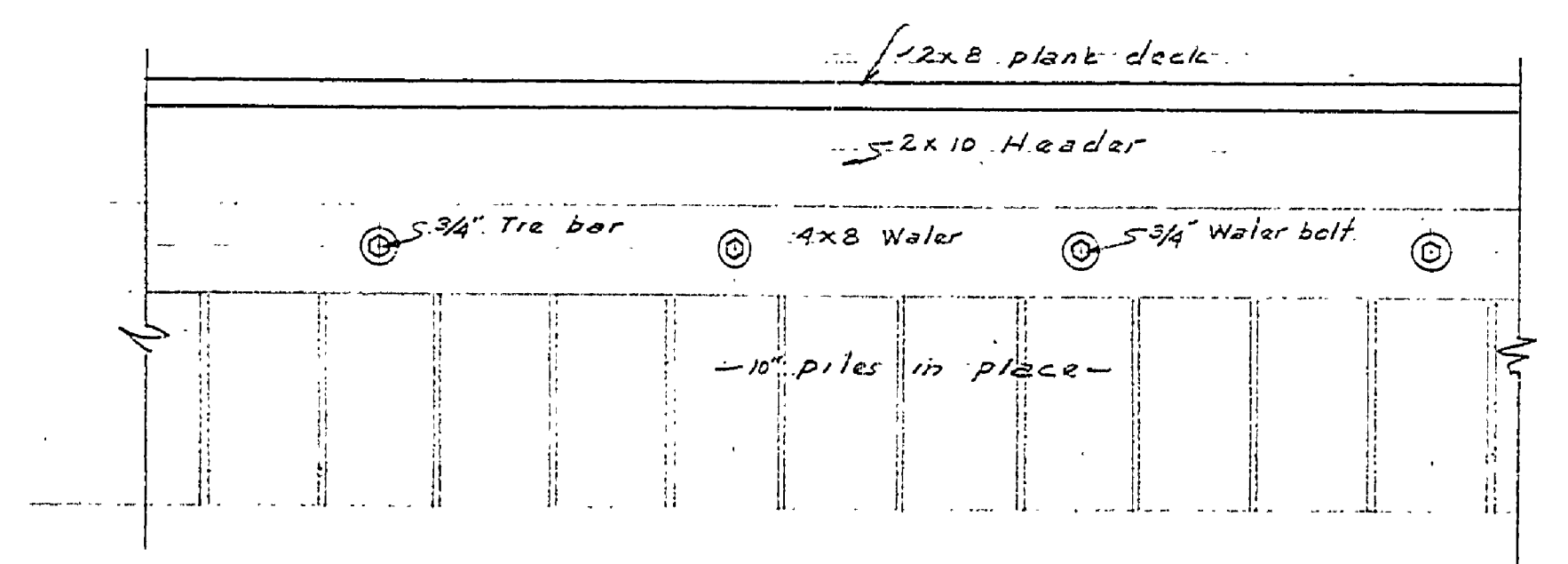
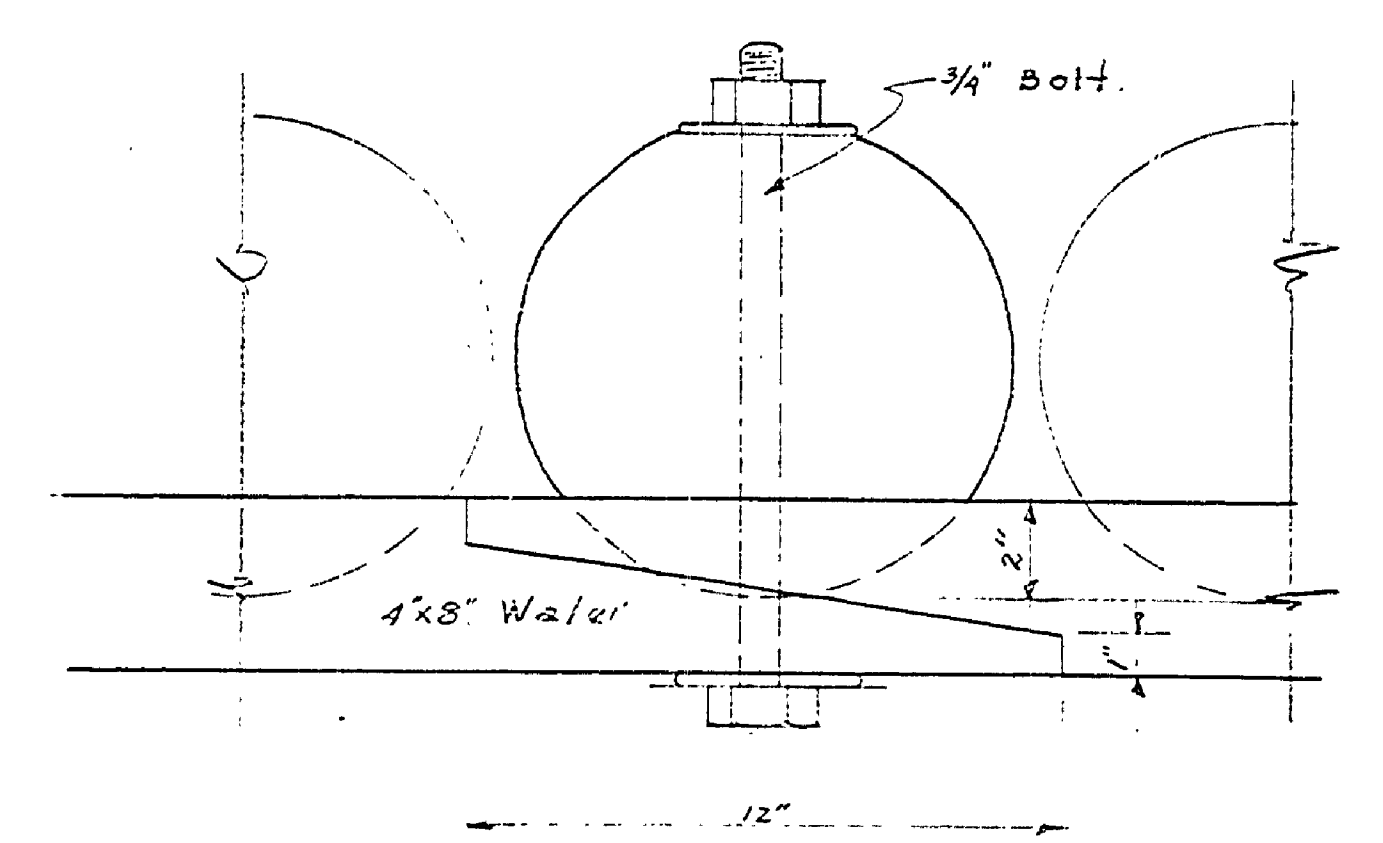


PLAN OF DOCK
 Scale: 1/4" = 1'-0"



MICHIGAN DEPARTMENT OF CONSERVATION PARKS DIVISION		
DRAWN BY:	ALOHA	SHEET NO. 106
TRACED BY:	STATE PARK	SCALE
CHECKED BY:	DOCK	AS NOTED
	RECONDITIONING	DATE 7-OCT-1938
PREPARED BY:	CHIEF OF PARKS DIVISION	DATE
APPROVED:		DATE
APPROVED:		DATE

E-99