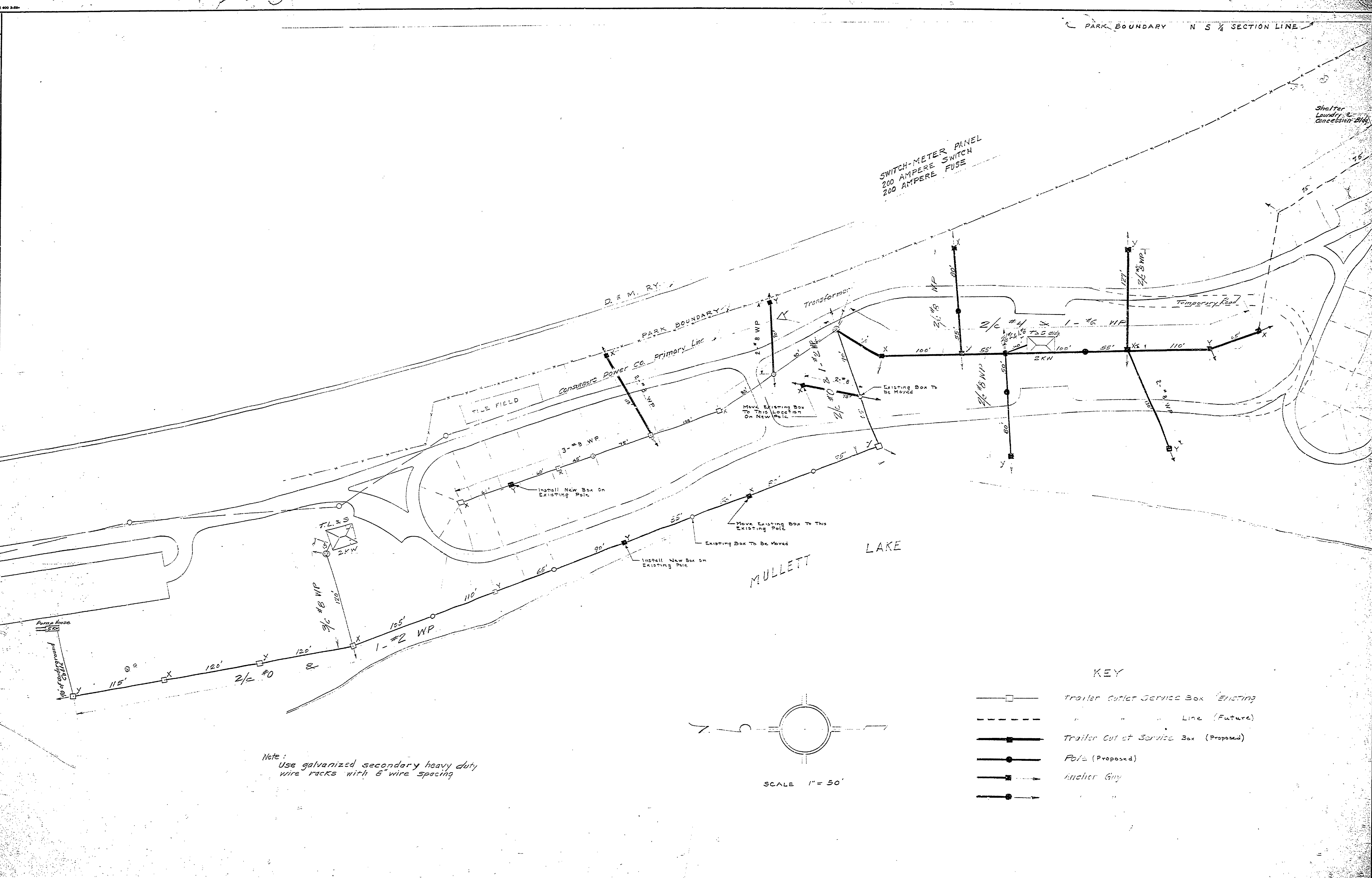
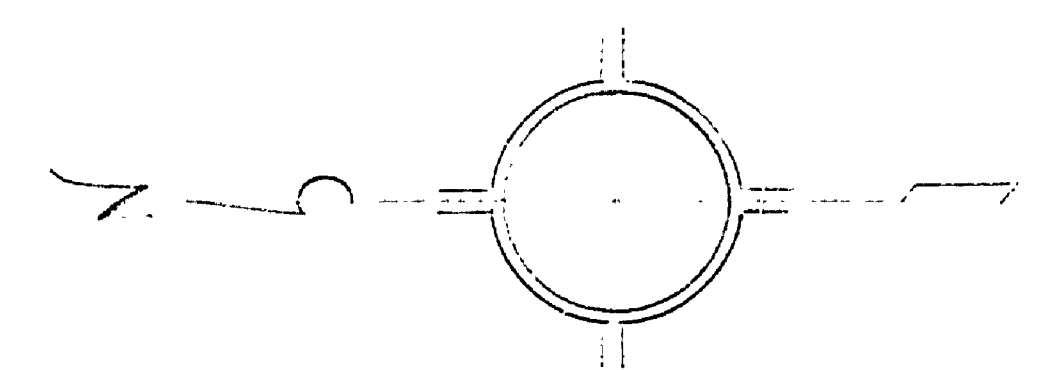


DATE	9/24/58	REVISIONS	NO.	DATE	BY
CHECKED BY	P.M.H.	1	1		
DATE	9/24/58	2	2		
ENGINEERING	J.I.R.	3	3		
ARCHITECTURAL	J.I.R.	4	4		
REVIEWED BY SECTIONS	J.I.R.	5	5		
DATE	9/24/58	6	6		
APPROVED BY	A.C. [Signature]	ASSISTANT CHIEF IN CHARGE OF DESIGN DATE 10-2-58			



Note: Use galvanized secondary heavy duty wire racks with 8" wire spacing



SCALE 1" = 50'

KEY

	Trailer Cut-off Service Box (Existing)
	Line (Future)
	Trailer Cut-off Service Box (Proposed)
	Pole (Proposed)
	Anchor Guy

NORTH SECTION OF CAMPGROUNDS

MICHIGAN DEPARTMENT OF CONSERVATION PARKS AND RECREATION DIVISION

ALOHA STATE PARK ELECTRICAL DISTRIBUTION SYSTEM SCALE 1" = 50'

SHEET NO. 2 OF 5

PLAN NO. E-100