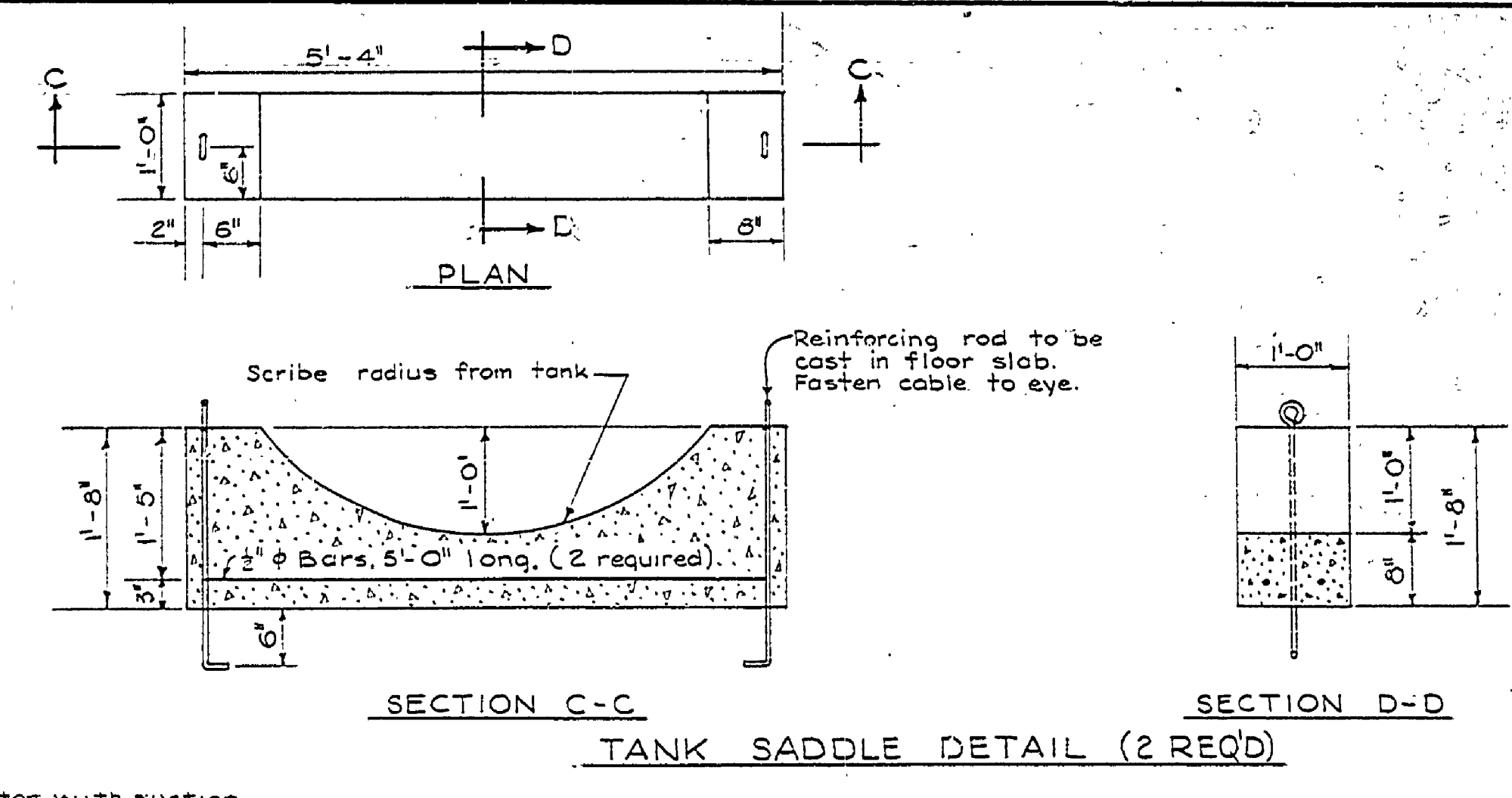
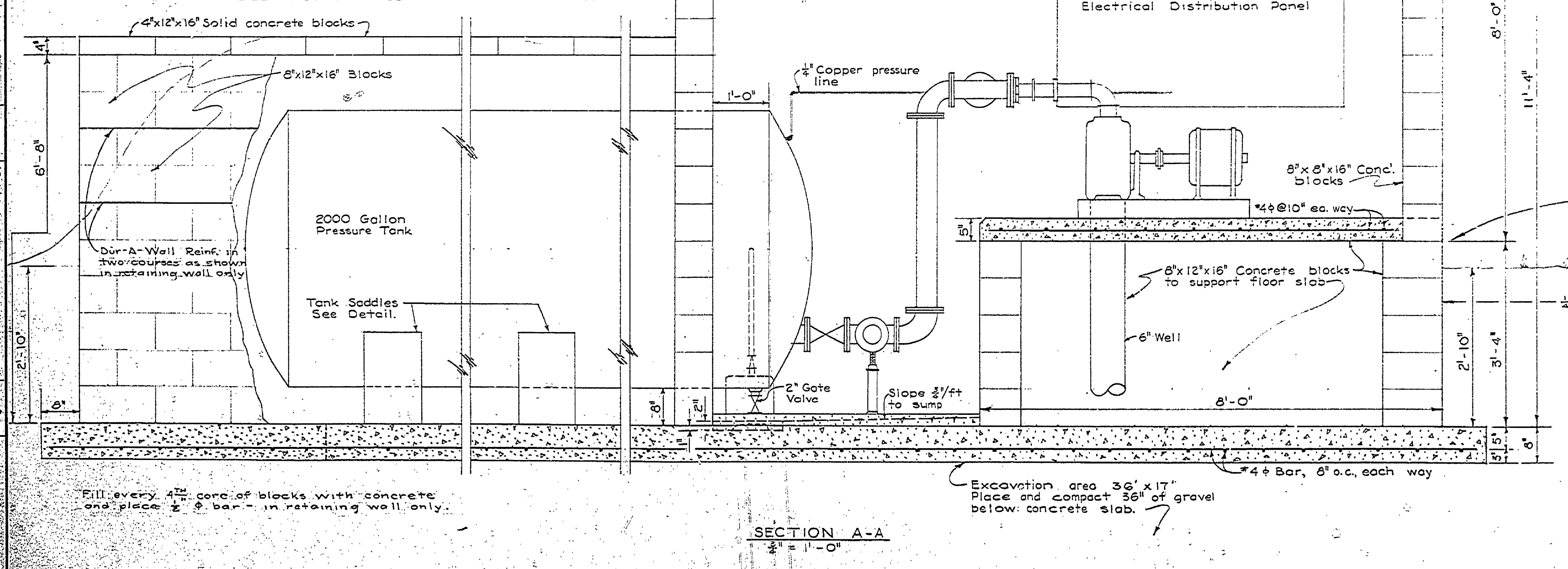
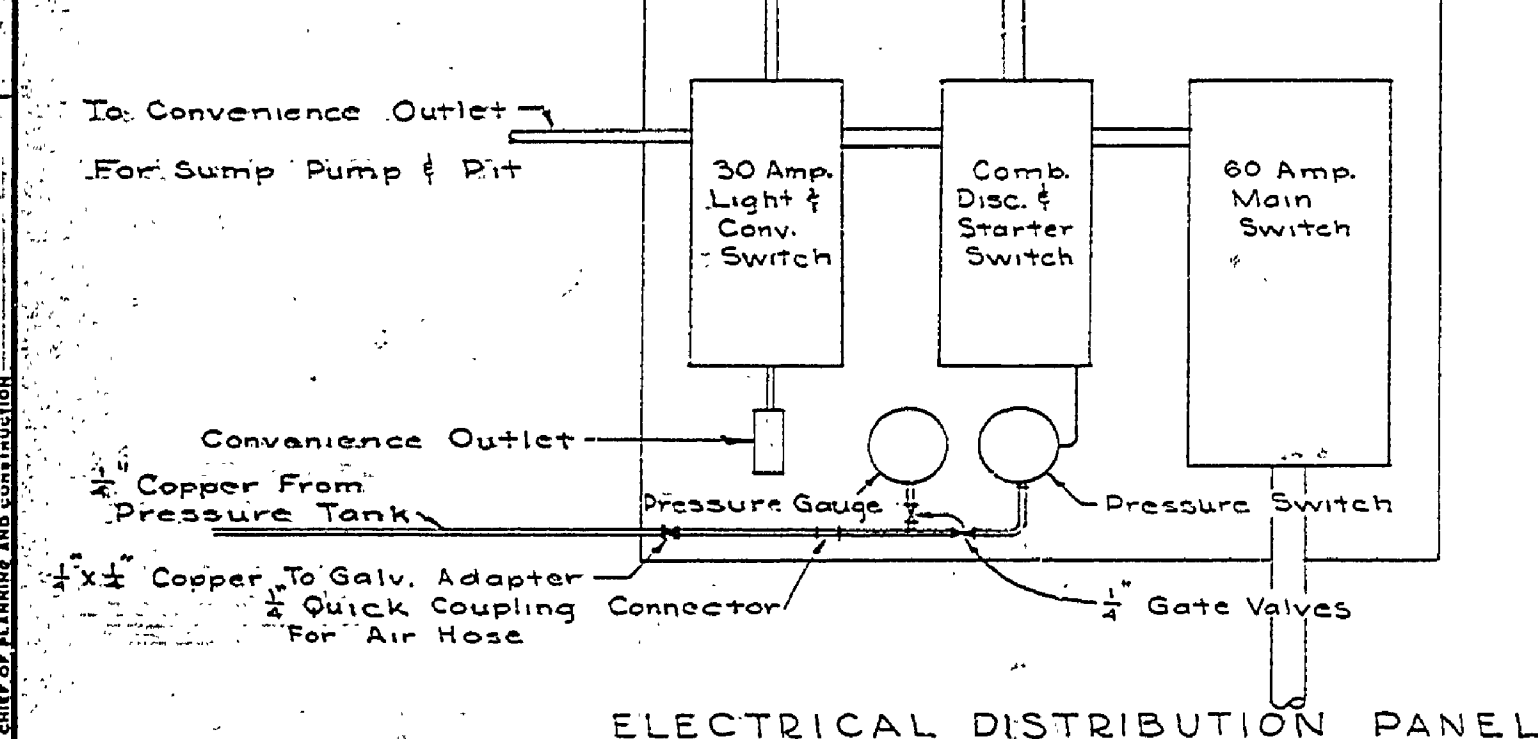
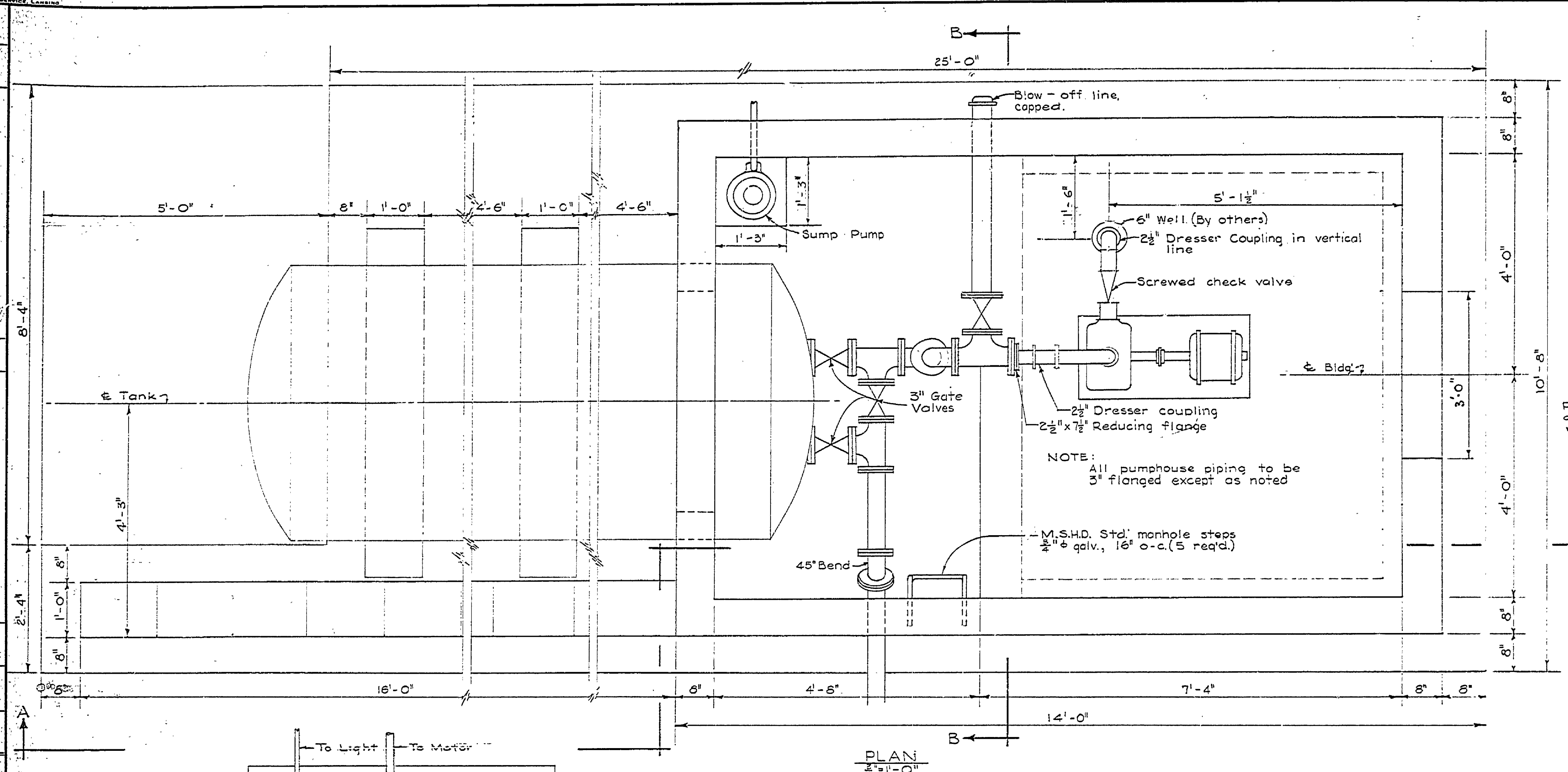
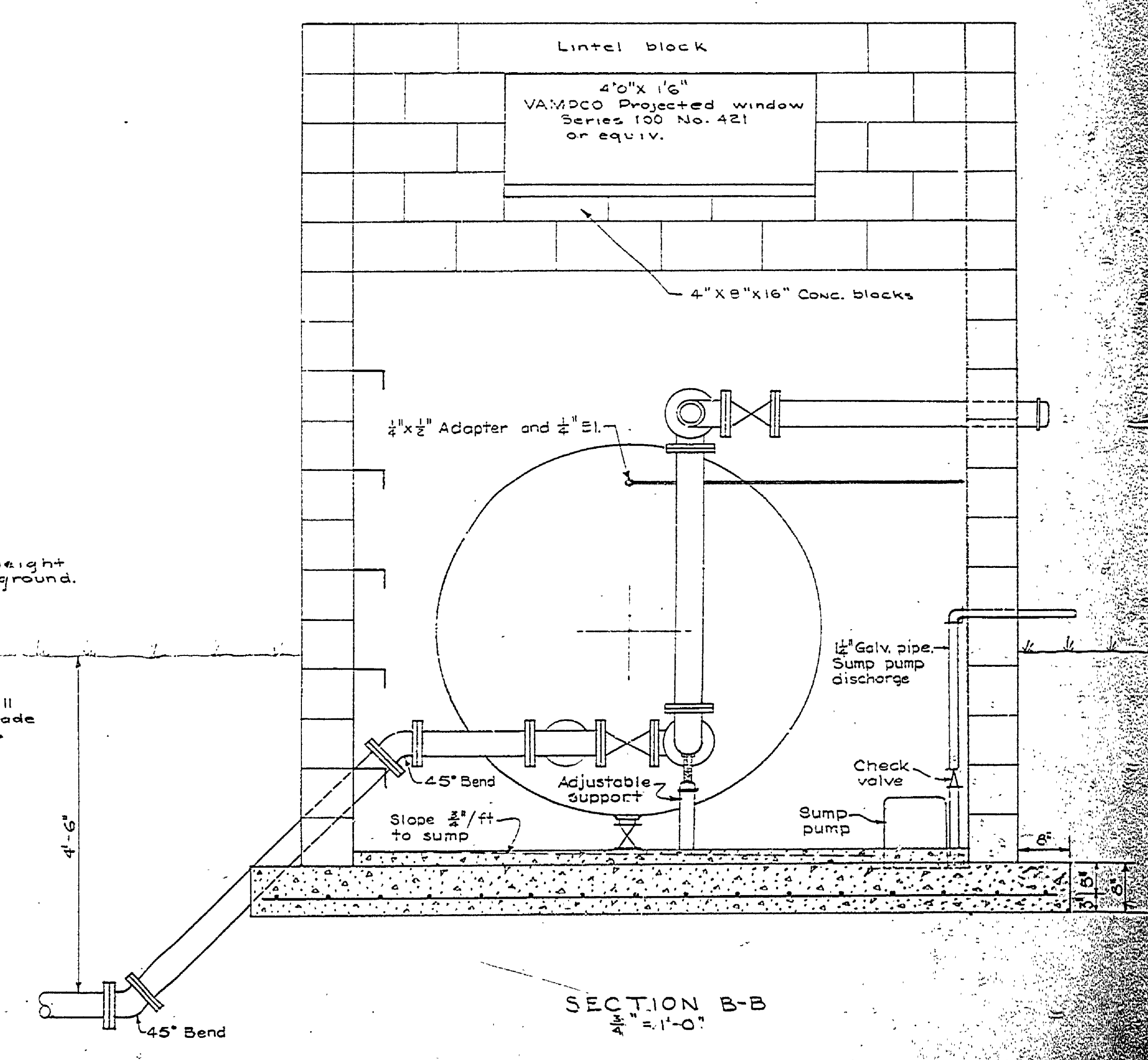
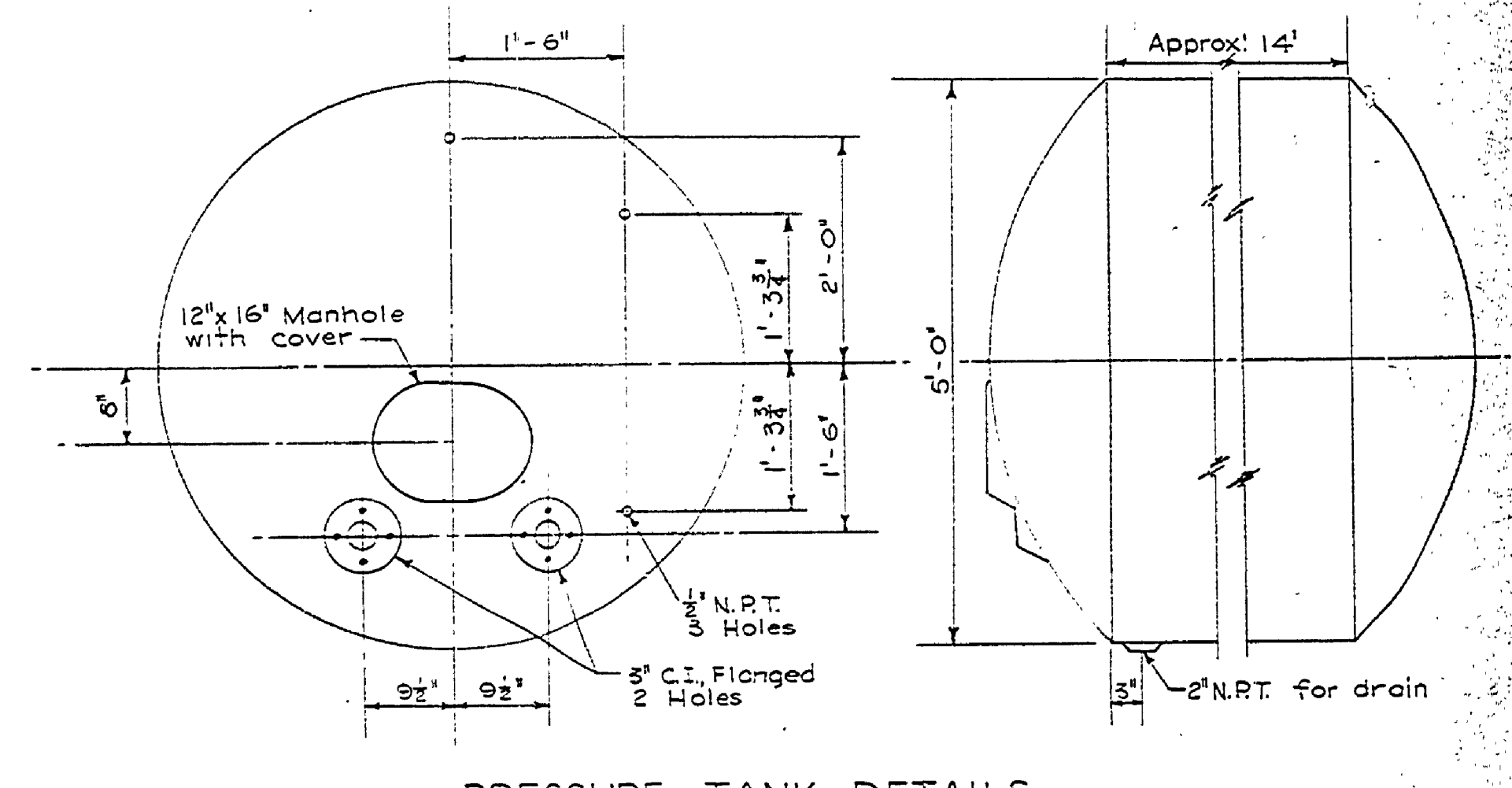


DESIGNED BY	W.S.P.	DATE	JULY 53	REVIEWED	W.S.P.	DATE	JULY 53	APPROVED	W.S.P.	DATE	JULY 53
DRAWN BY	D.M.C.	DATE	JULY 53	REVIEWED	D.M.C.	DATE	JULY 53	APPROVED	D.M.C.	DATE	JULY 53
CHECKED BY	W.S.P.	DATE	JULY 53	REVIEWED	W.S.P.	DATE	JULY 53	APPROVED	W.S.P.	DATE	JULY 53
PROJECT	ALPHA STATE PARK WATER SYSTEM										
SHEET NO.	5										
OF	5										
PLAN NO.	E-102										



Pump and motor with suction and discharge pipe connections not a part of this contract.



SOUTH PUMPHOUSE

MICHIGAN DEPARTMENT OF CONSERVATION PARKS AND RECREATION DIVISION

ALPHA STATE PARK WATER SYSTEM

SHEET NO. 5 OF 5 PLAN NO. E-102