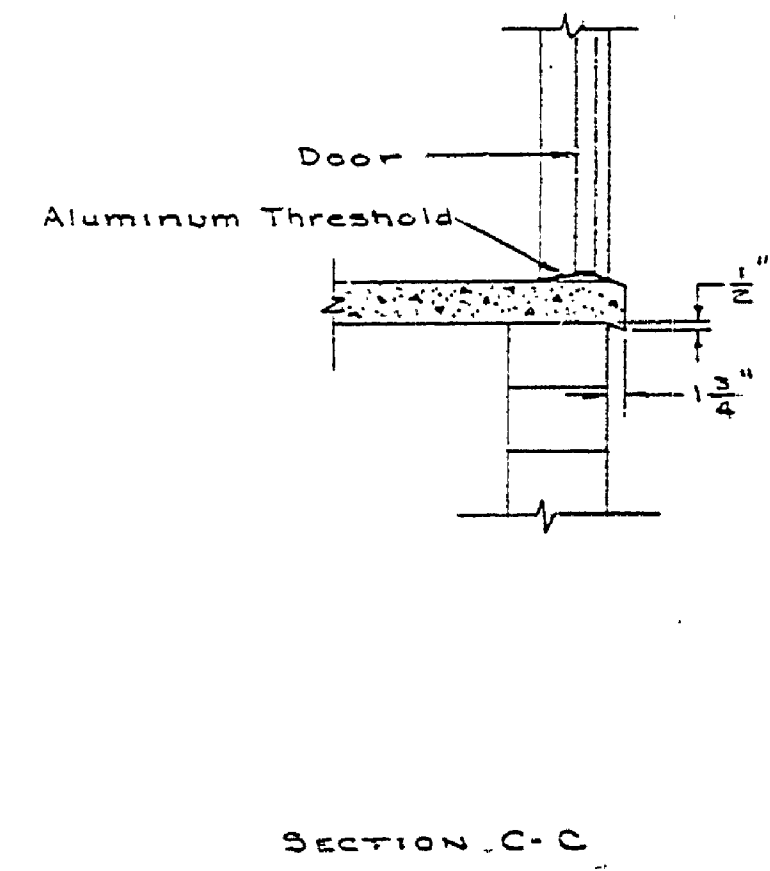
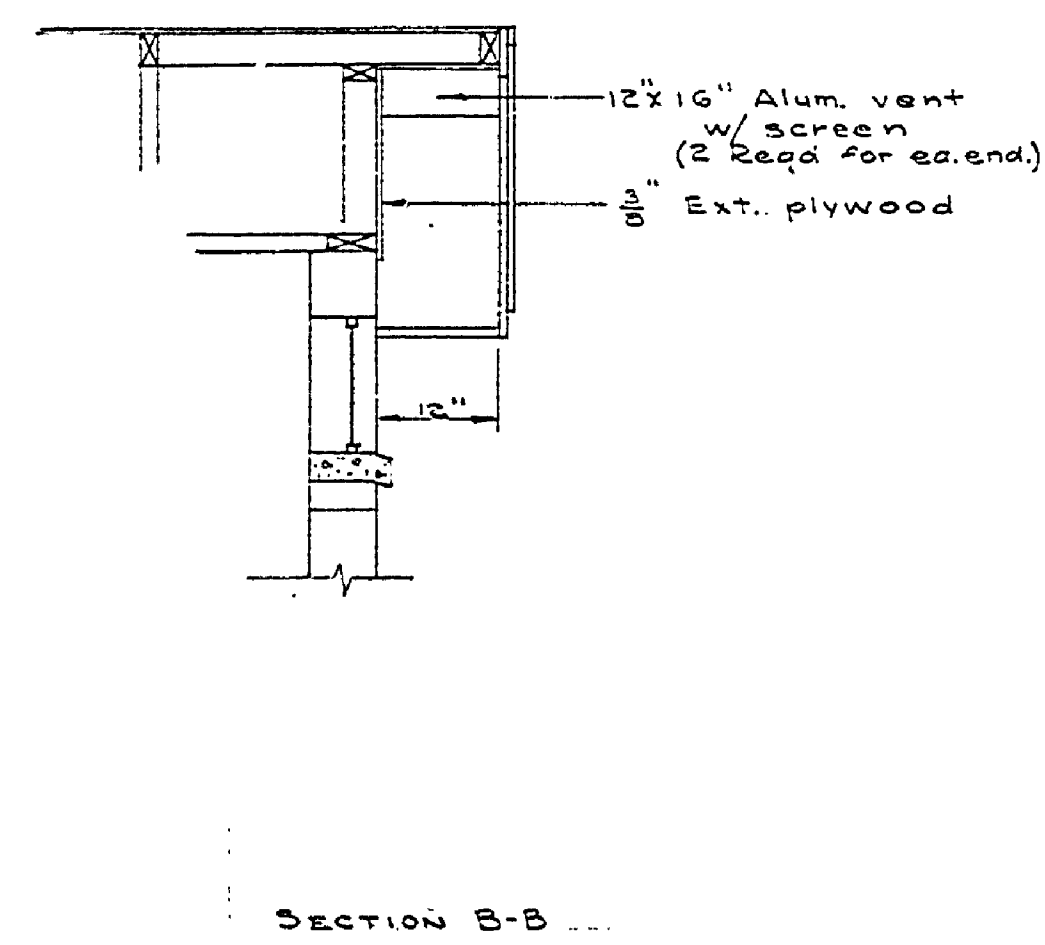
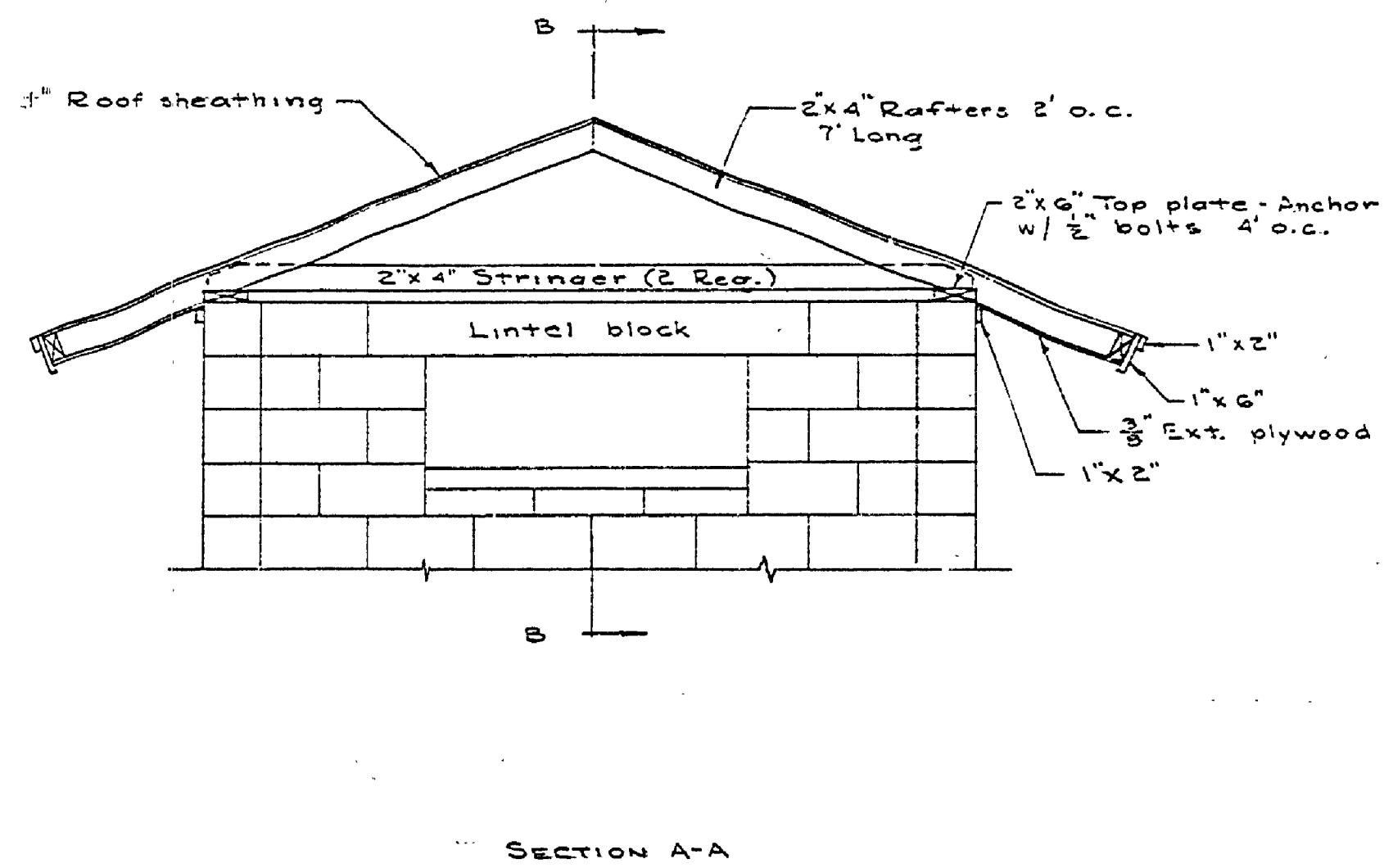
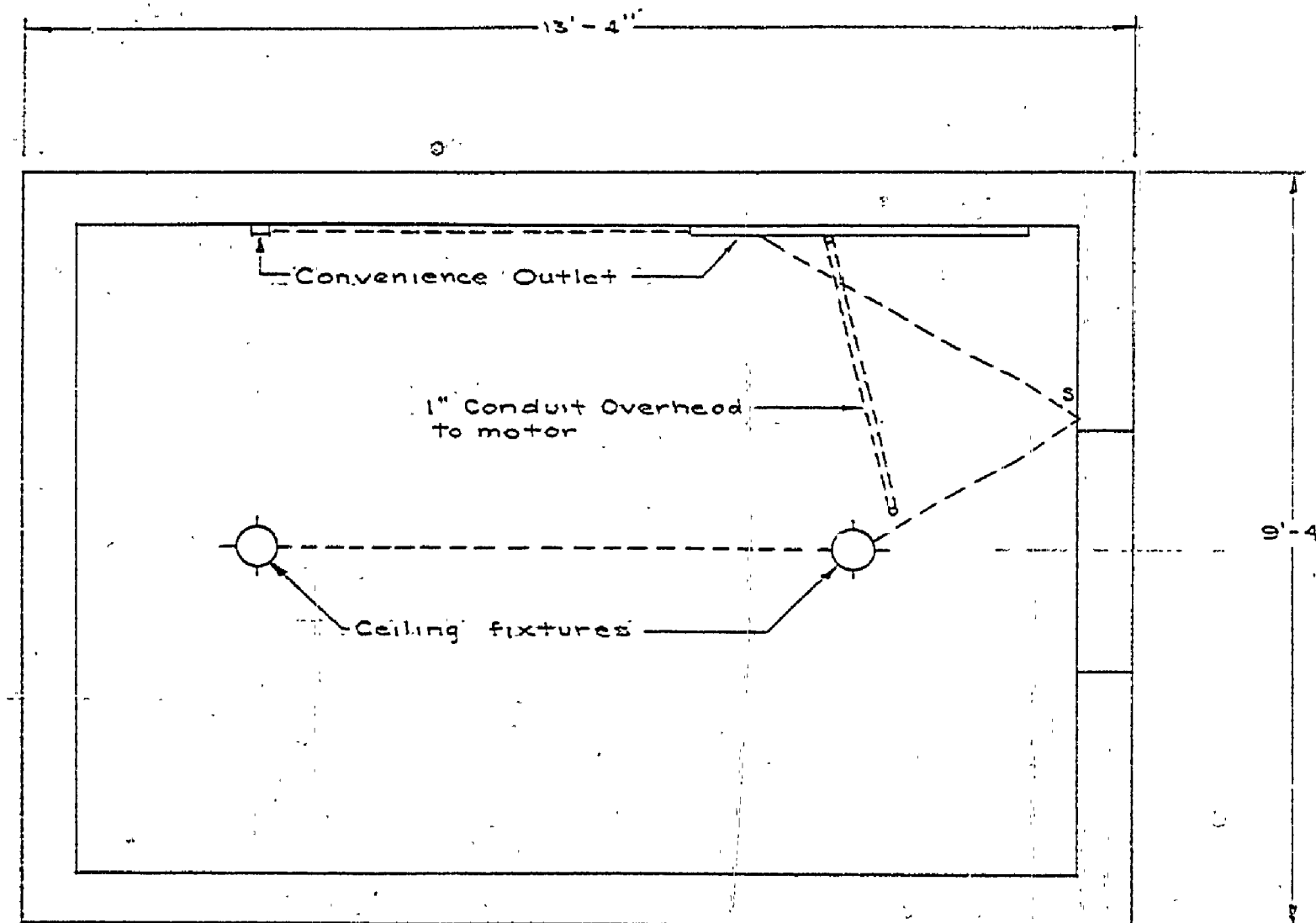
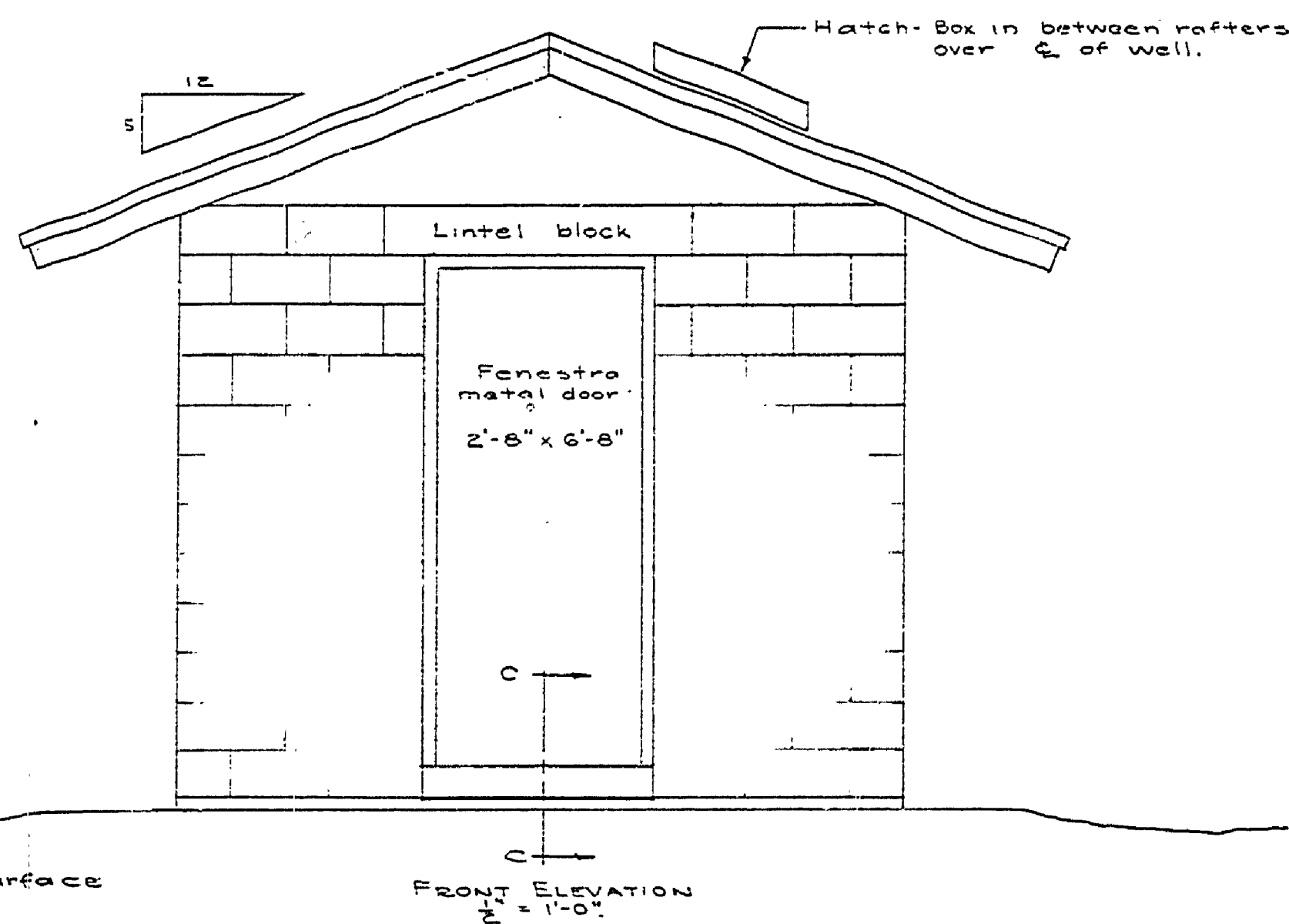
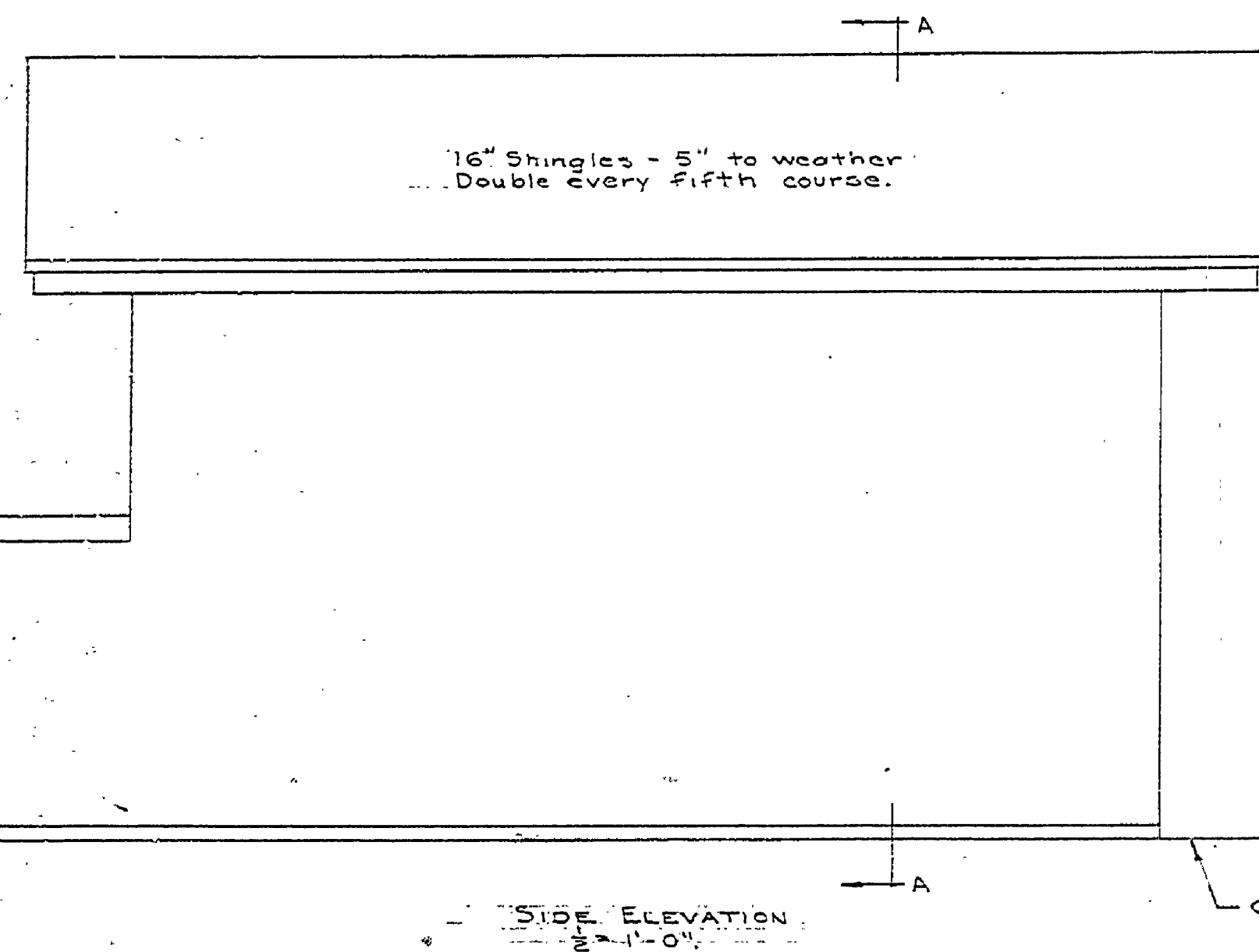


DATE	DESIGNED BY	DRAWN BY	CHECKED BY	DATE	REVIEWED	APPROVED	DATE	NO.	REVISIONS	DATE	BY
JULY 63	W.J.P.	W.J.P.	W.J.P.	7/16/63	W.J.P.	W.J.P.	7/16/63	1	Replaced E.O.C. sheet # 5 with this sheet.	7-11-63	J.V.
JULY 63				7/16/63			7/16/63	2			
JULY 63				7/16/63			7-11-63	3		7-11-63	S
								4			
								5			
								6			



SOUTH PUMPHOUSE

MICHIGAN
DEPARTMENT OF CONSERVATION
PARKS AND RECREATION DIVISION

ALOHA STATE PARK
WATER SYSTEM

SHEET
NO. 6
OF 6

PLAN NO.
E-102