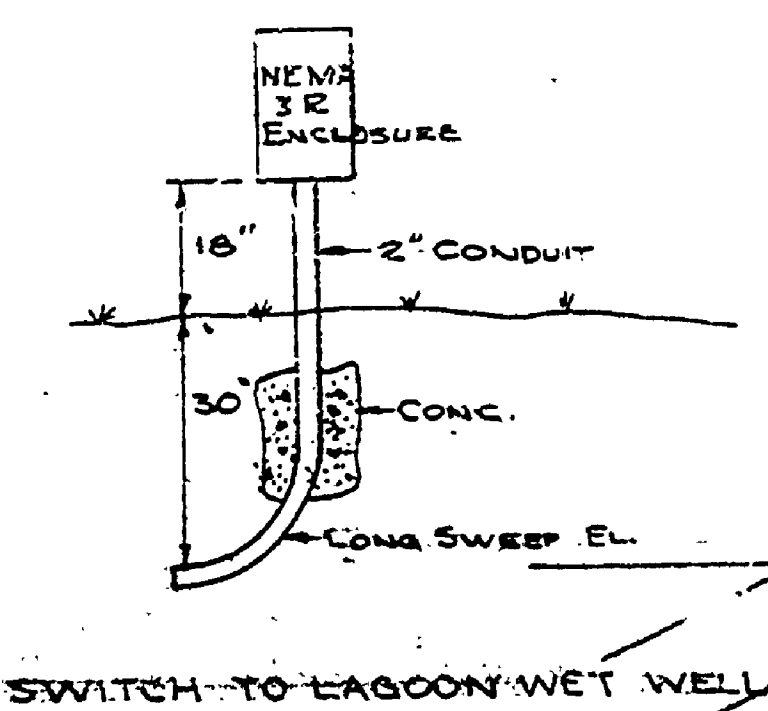
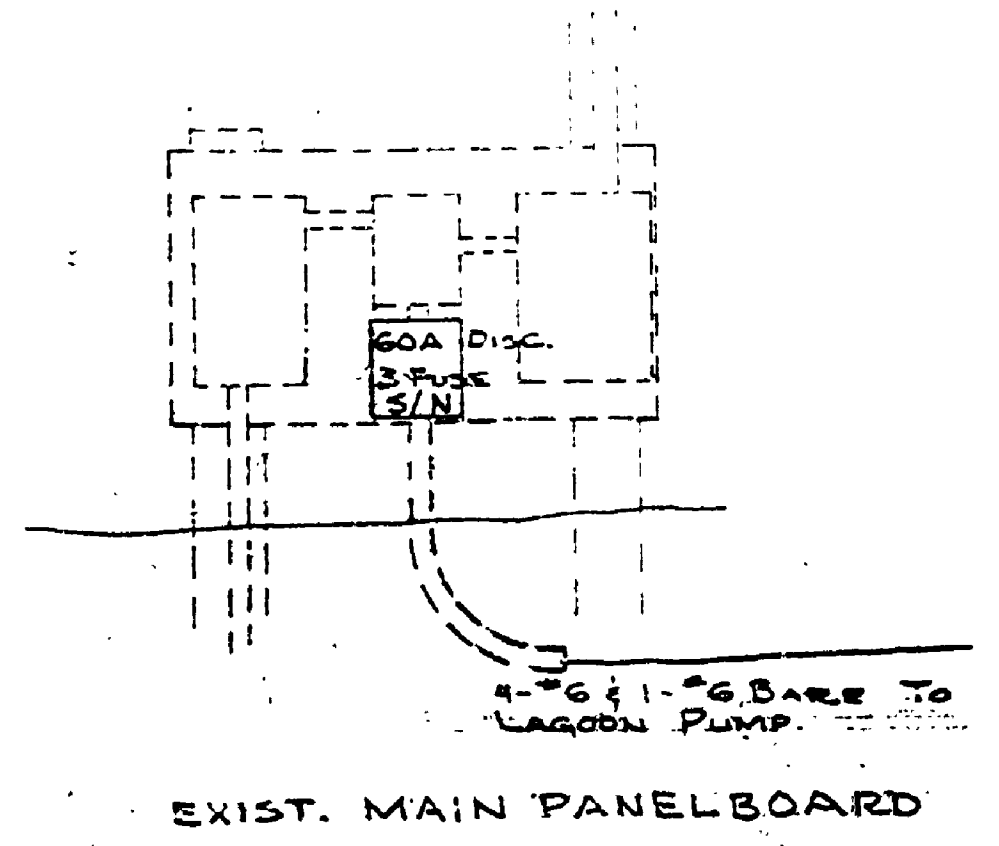
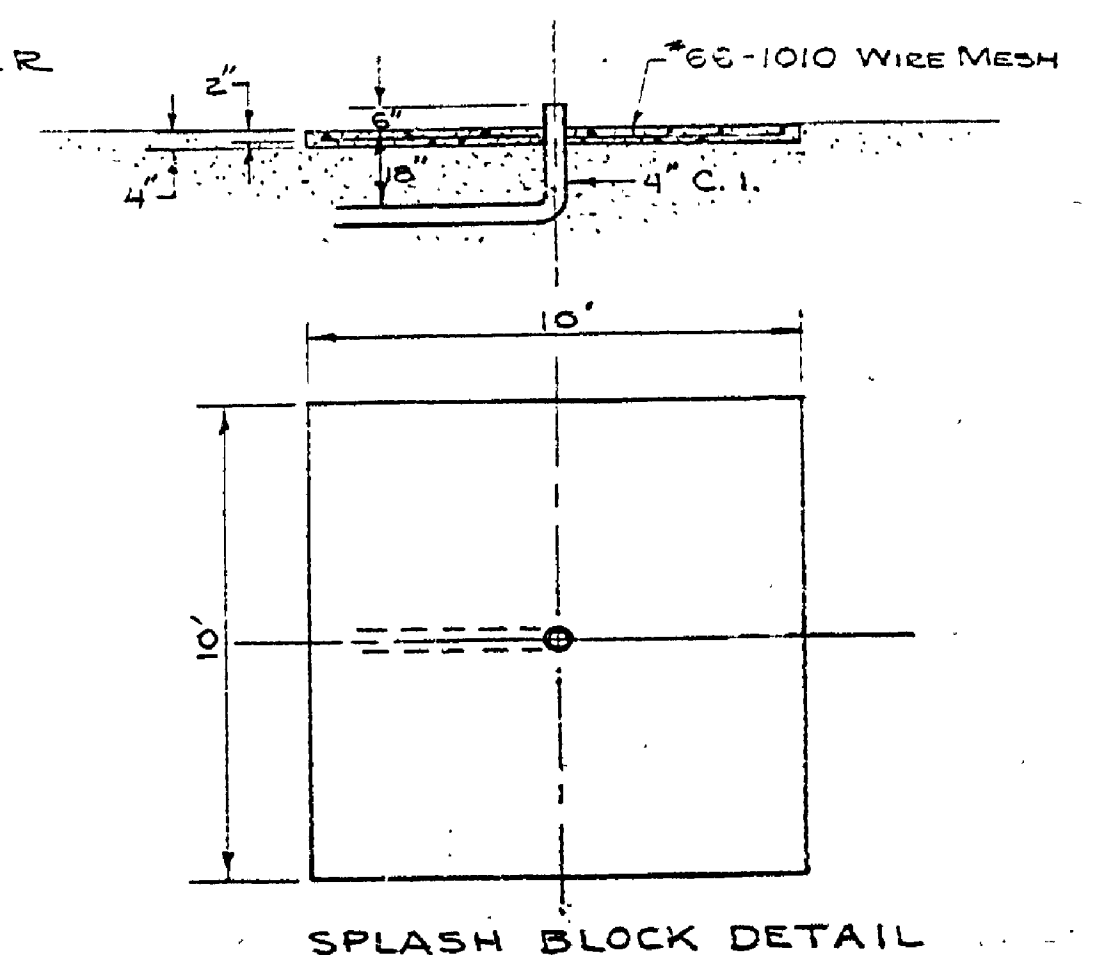
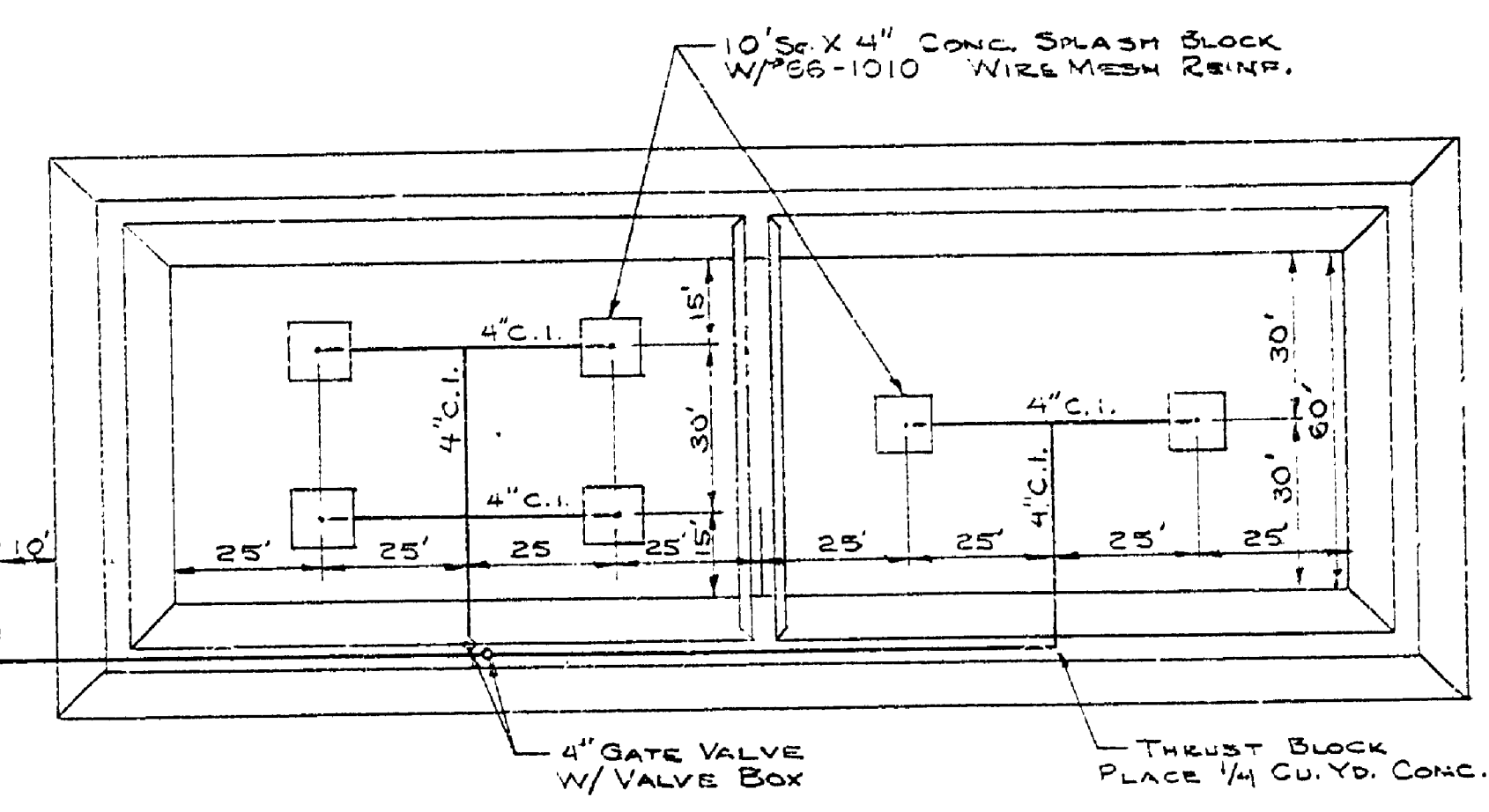
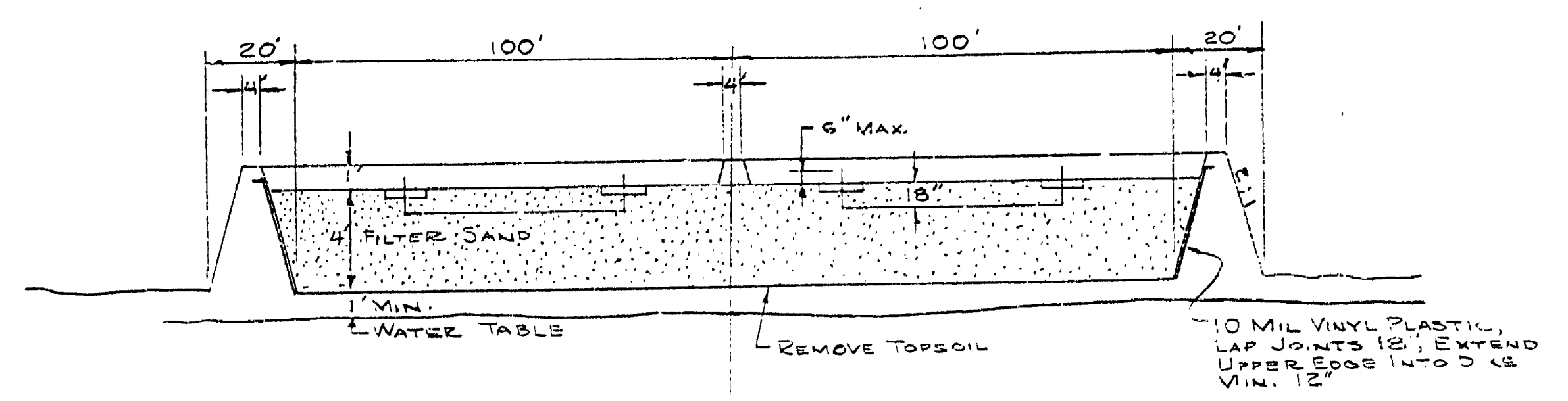
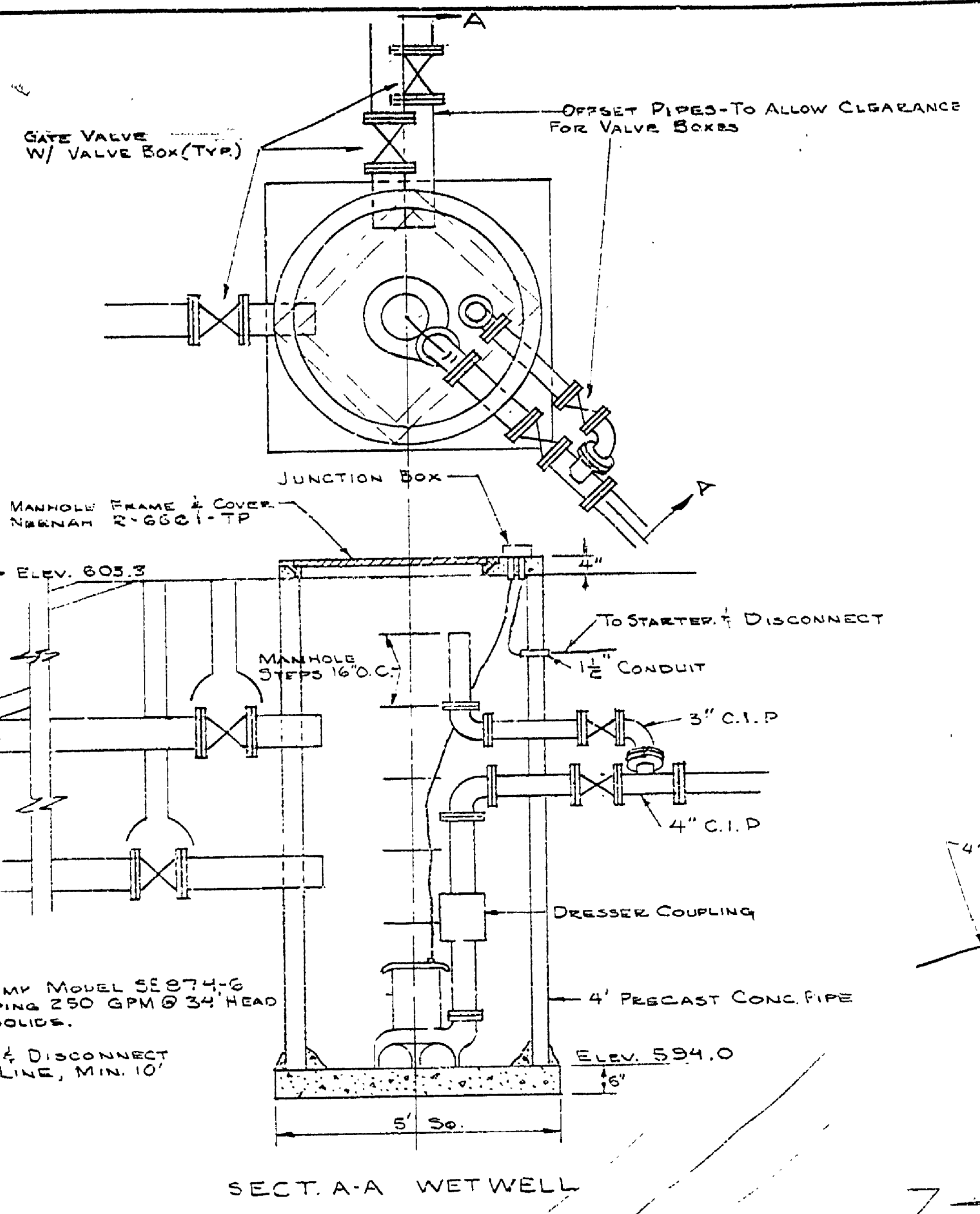


ALOHA STATE PARK CONSTRUCTION PLANS FOR SEWAGE SYSTEM REVISIONS PROJECT NO. 24-1434



BUILDING COMMITTEE APPROVAL	
BY	DATE
RECOMMENDED FOR APPROVAL	
RECOMMENDED FOR APPROVAL	
RECOMMENDED FOR APPROVAL	

ALOHA STATE PARK
DEPARTMENT OF NATURAL RESOURCES