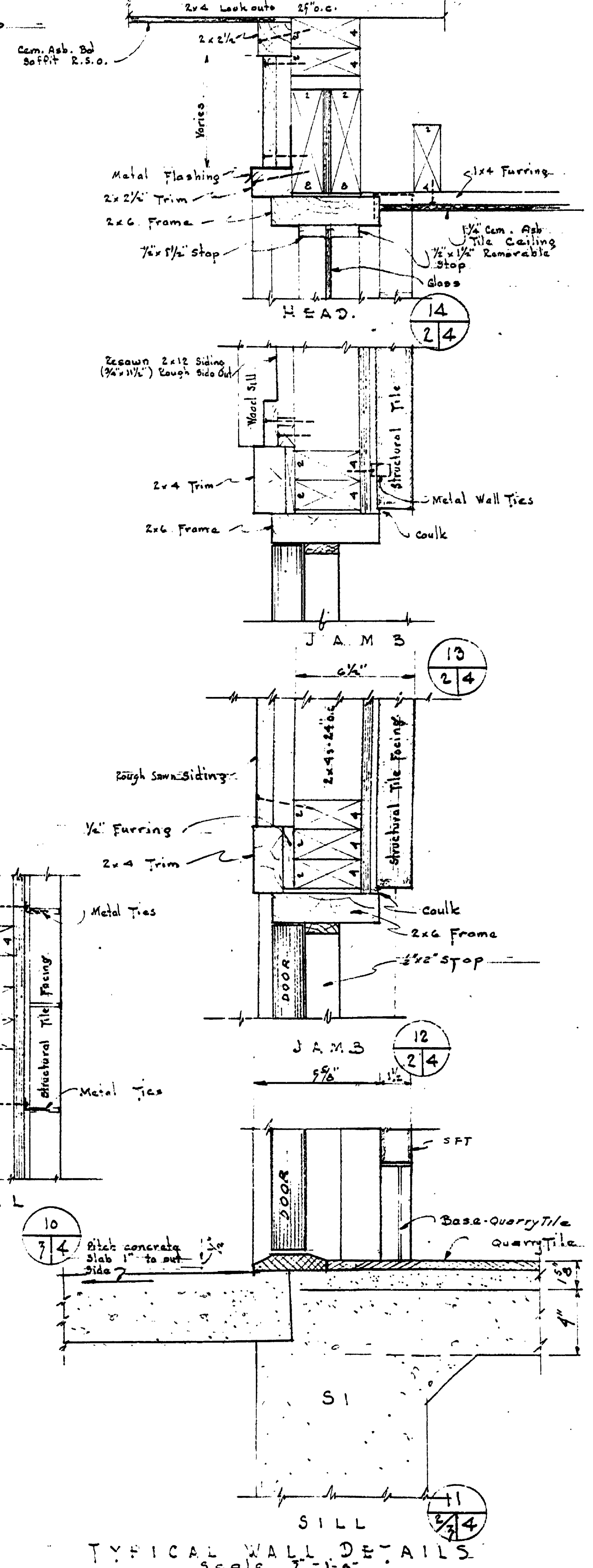
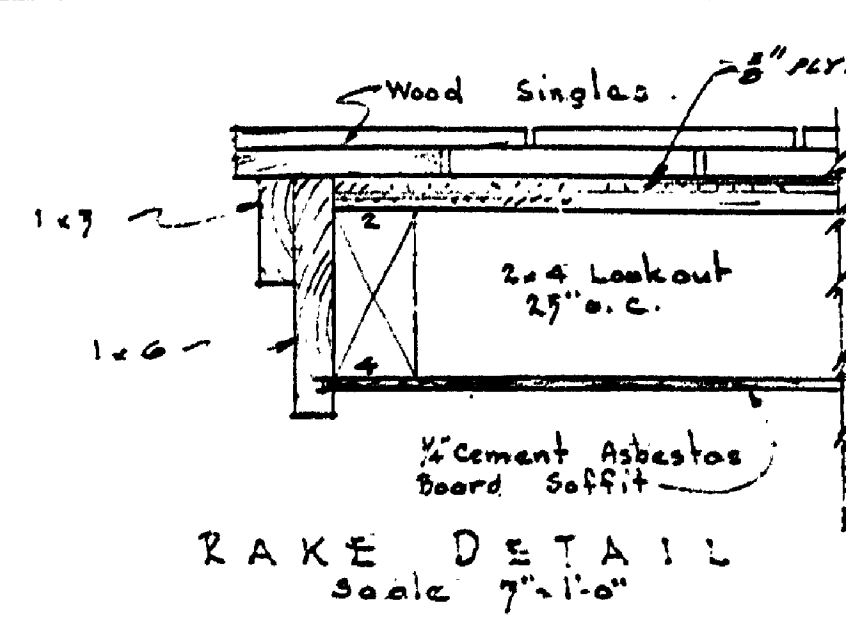
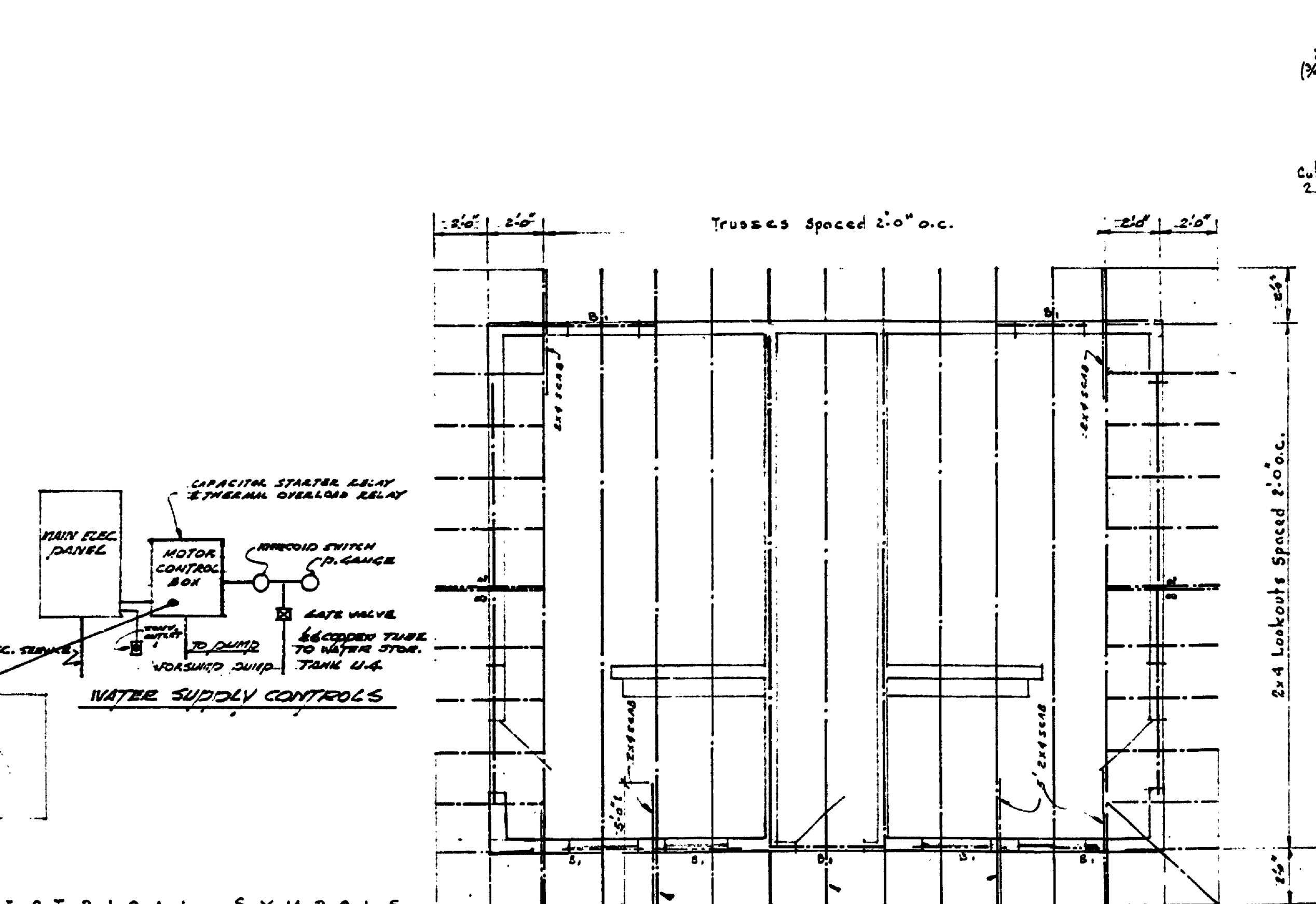
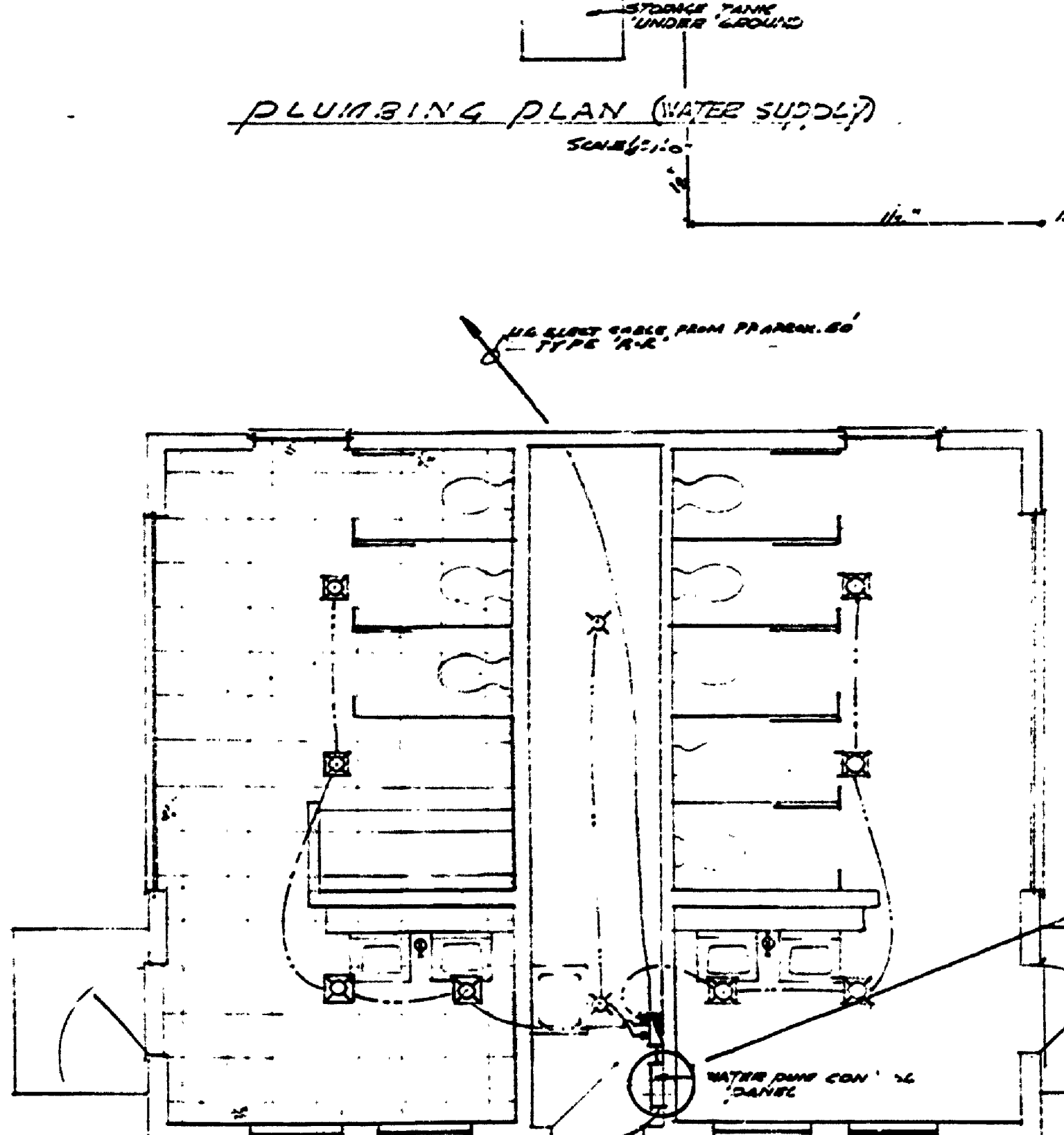
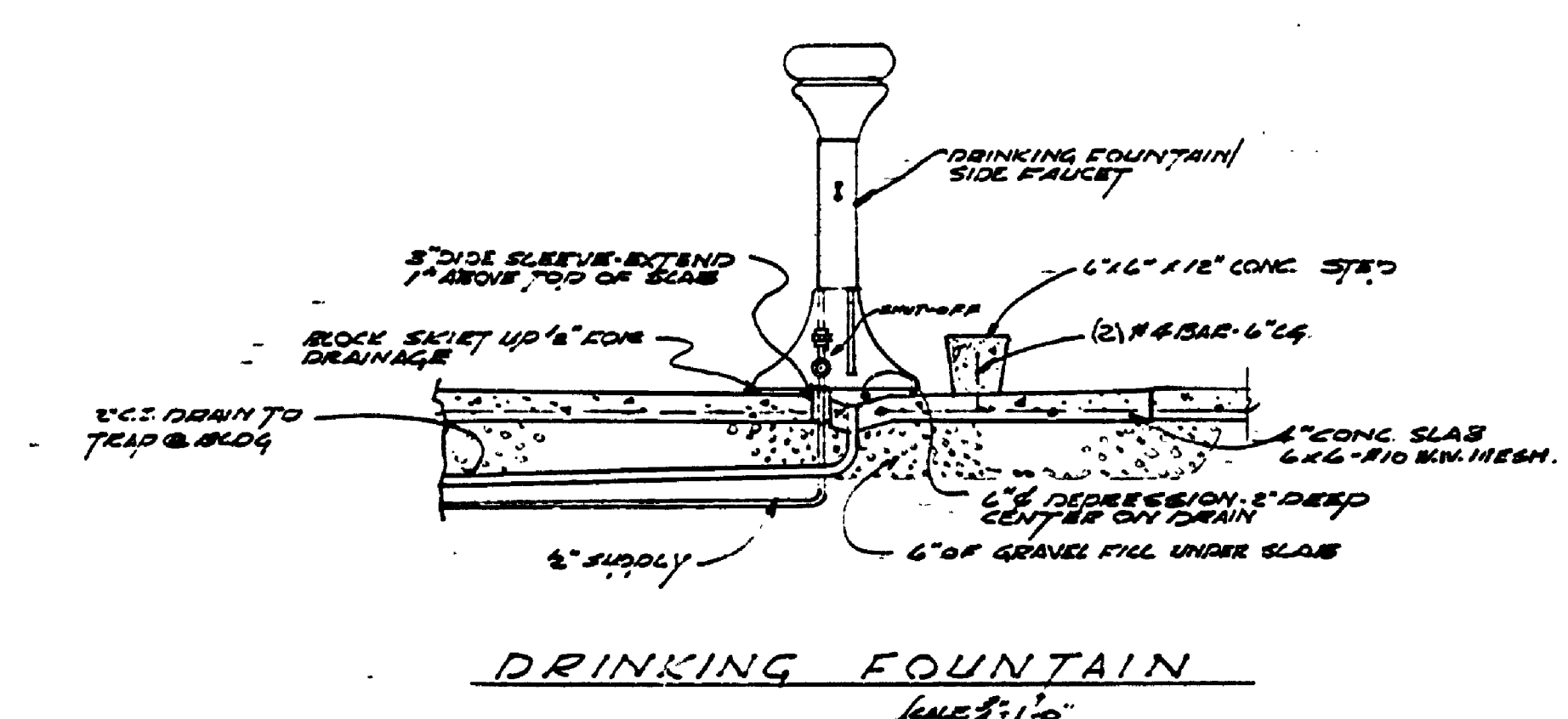
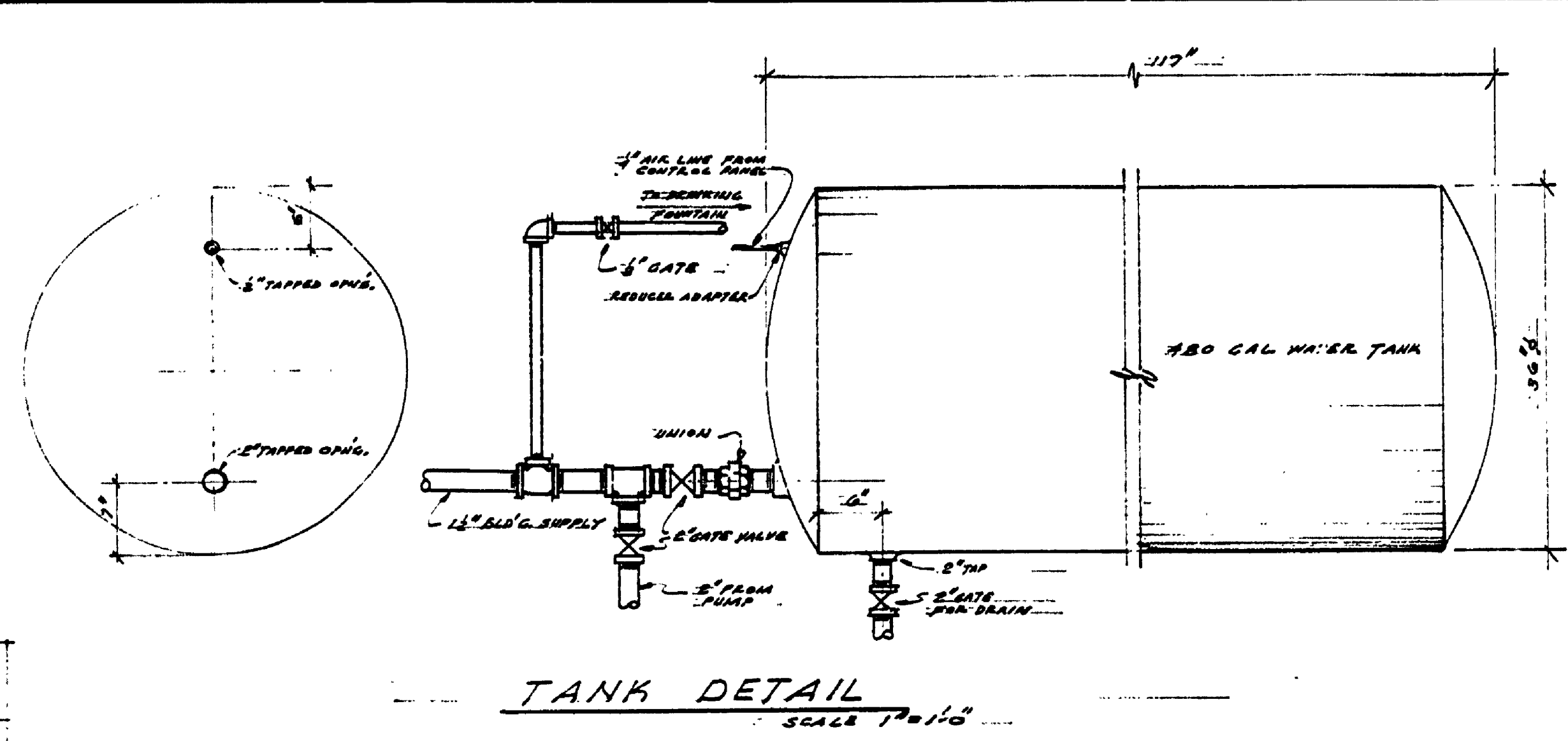
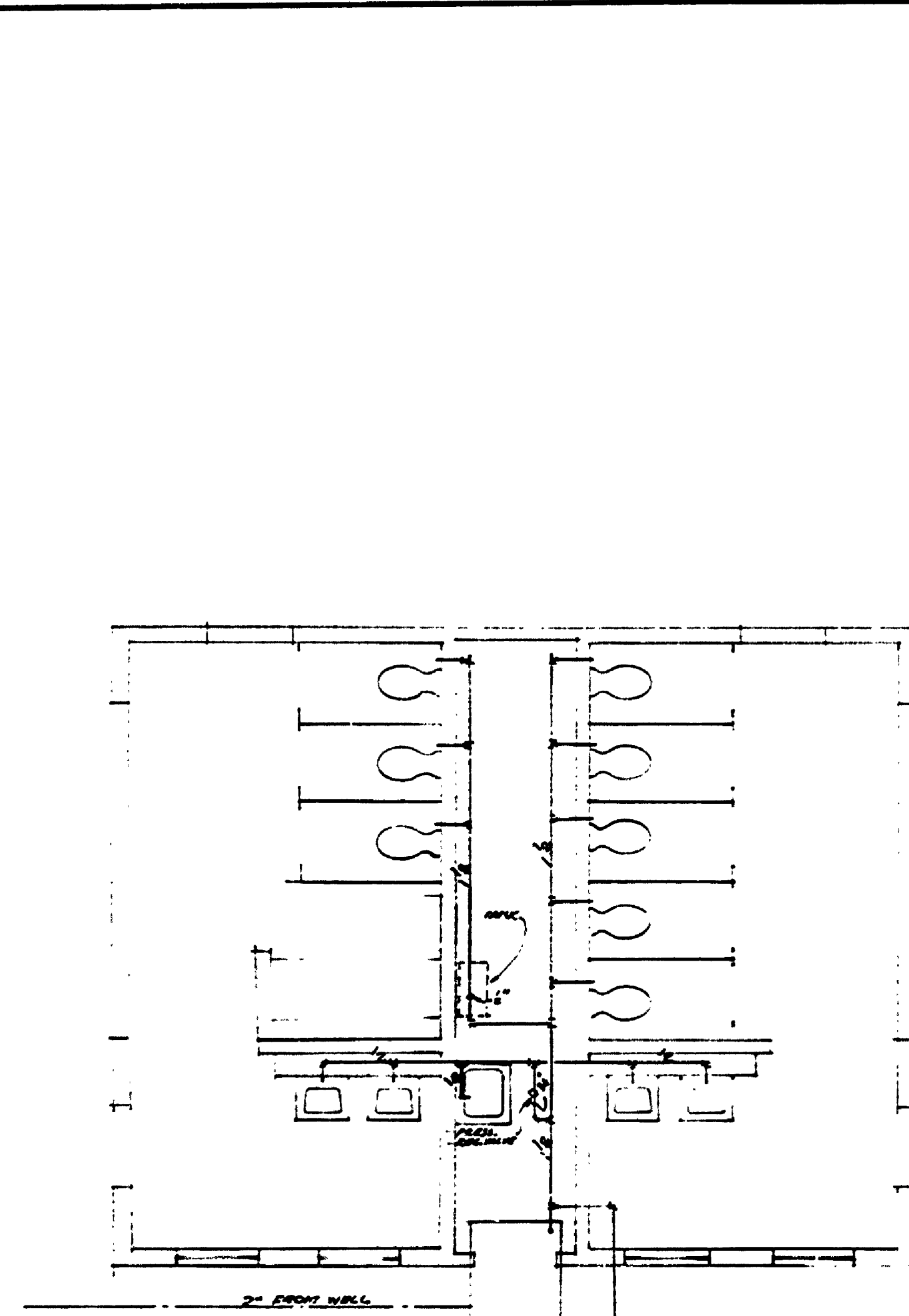


DRAWN BY J.W.F.H.	CHECKED BY W.N.C.	DATE	REVIEWED BY SECTIONS		APPROVED BY A.C. M. [Signature] ASSISTANT CHIEF IN CHARGE	NO. DATE BY	REVISIONS	DATE BY	
			ARCHITECTURAL	J.I.R.					3-25-59
			ENGINEERING	J.I.R.					3-23-59
			LANDSCAPE	J.I.R.					3-23-59
			DATE OF DESIGN		2-6-59				



NOTE: HALF REFLECTED PLAN SHOWING CEILING TILE LAYOUT.

ELECTRICAL SYMBOLS:
 □ Recessed Light Fixture
 ○ Duplex Convenience Outlet
 □ Control Box
 X ceiling Light Outlet
 — Switch