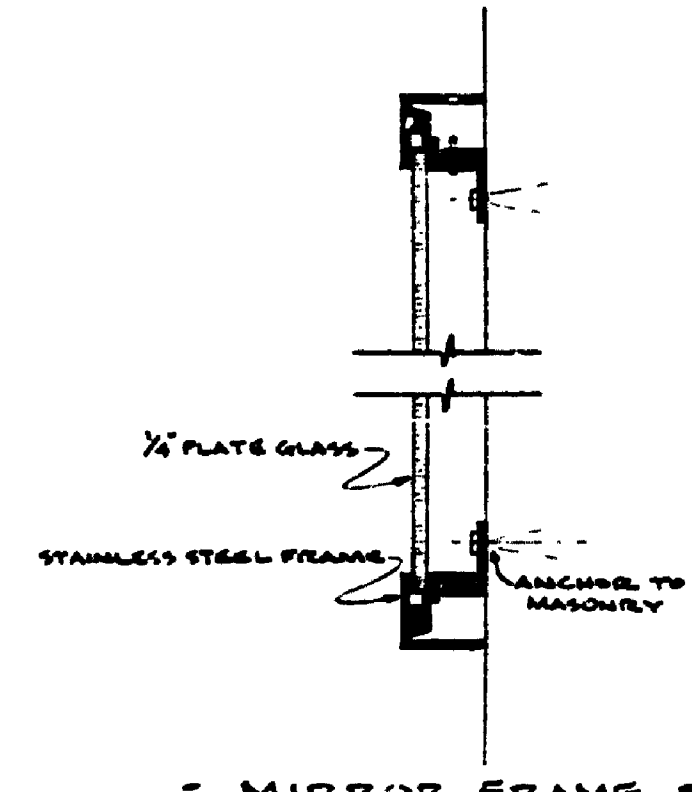


Rafter Tie Plates & Base Plate Details - 3/4\"/>

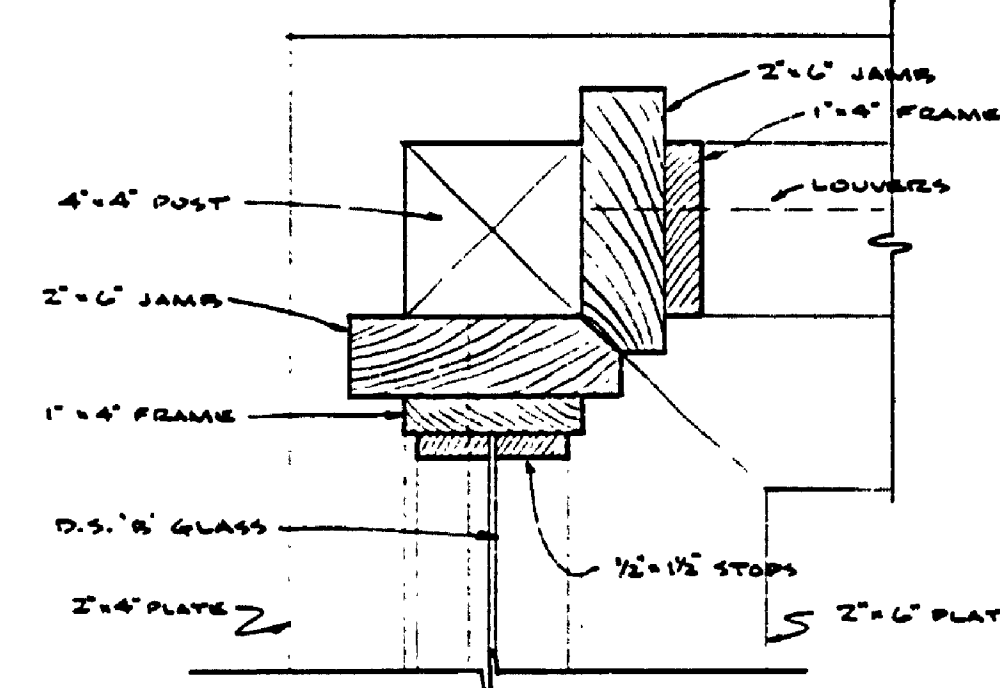
SKYLIGHT DETAIL - 3/4\"/>

DOOR SECTIONS - 3/4\"/>

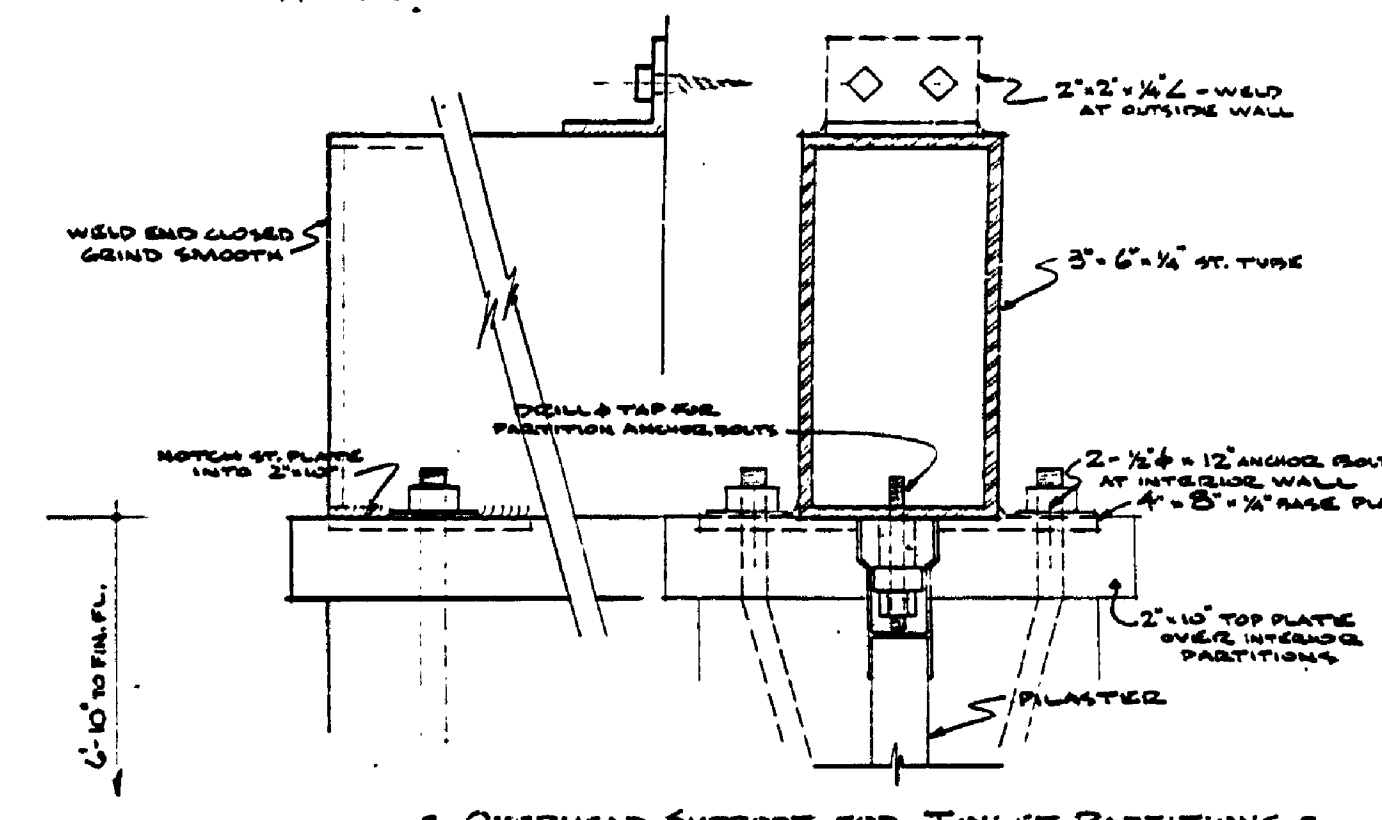
SECTION A-A - 1/2\"/>



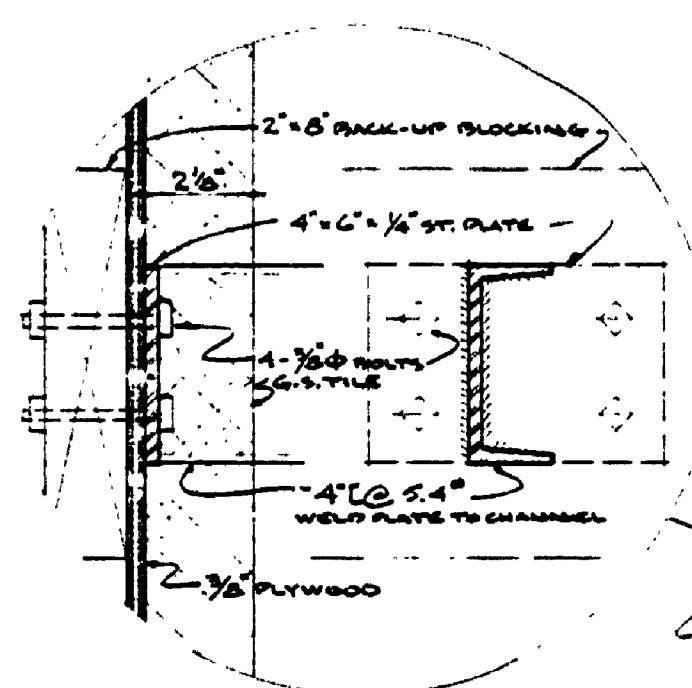
MIRROR FRAME - NO SCALE



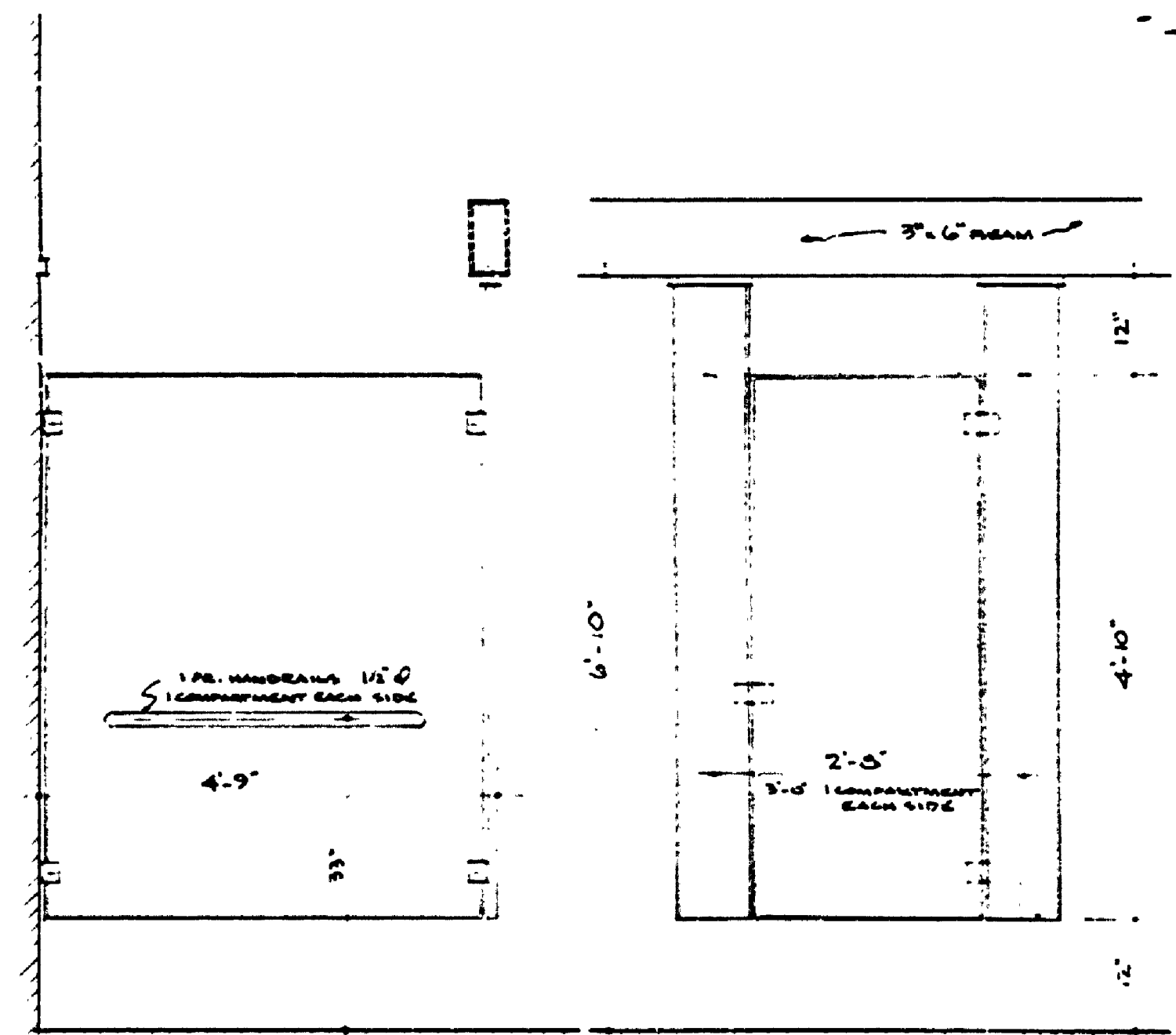
GLASS WINDOW DETAIL - 3/4\"/>



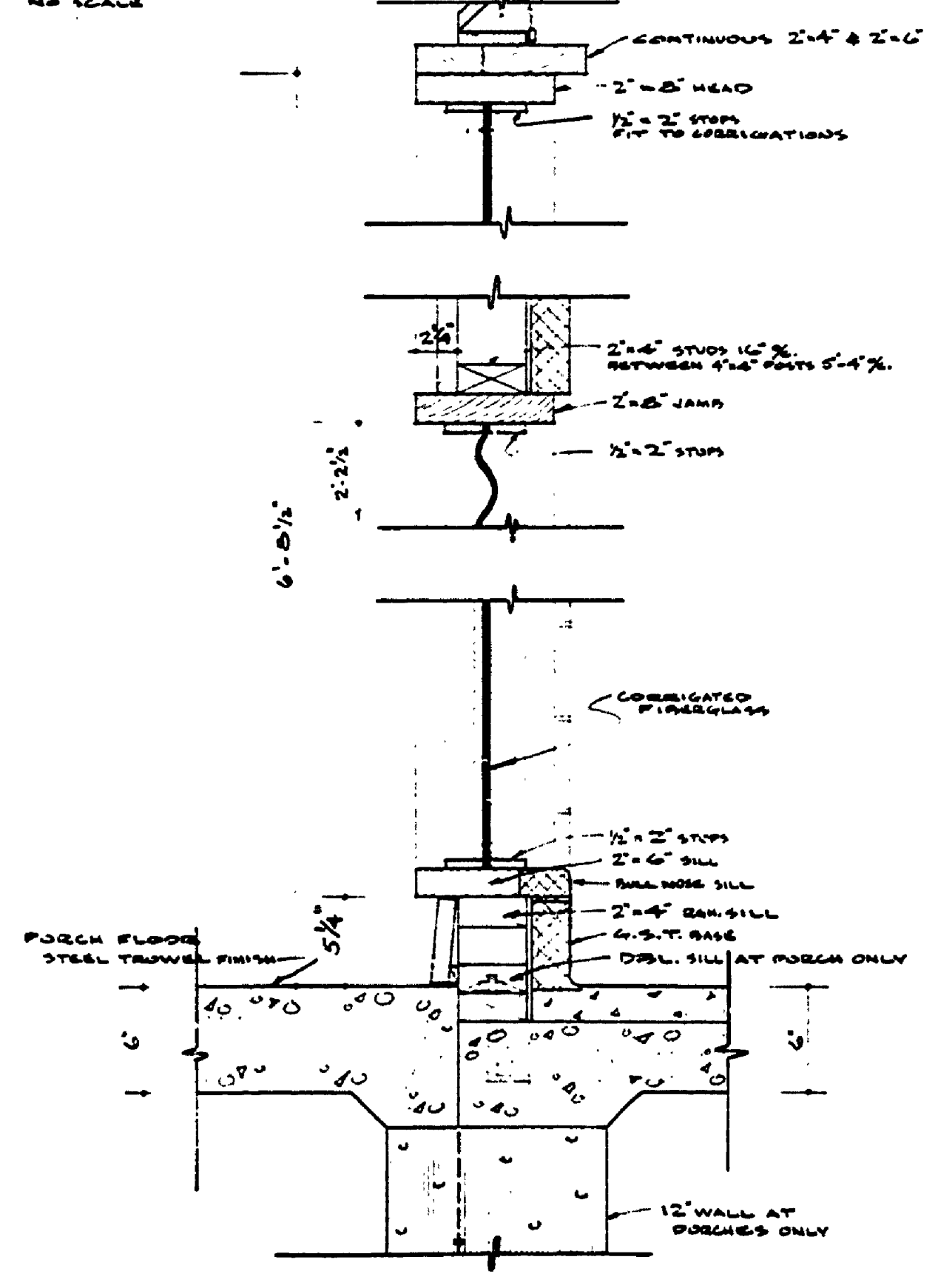
OVERHEAD SUPPORT FOR TOILET PARTITIONS - 3/4\"/>



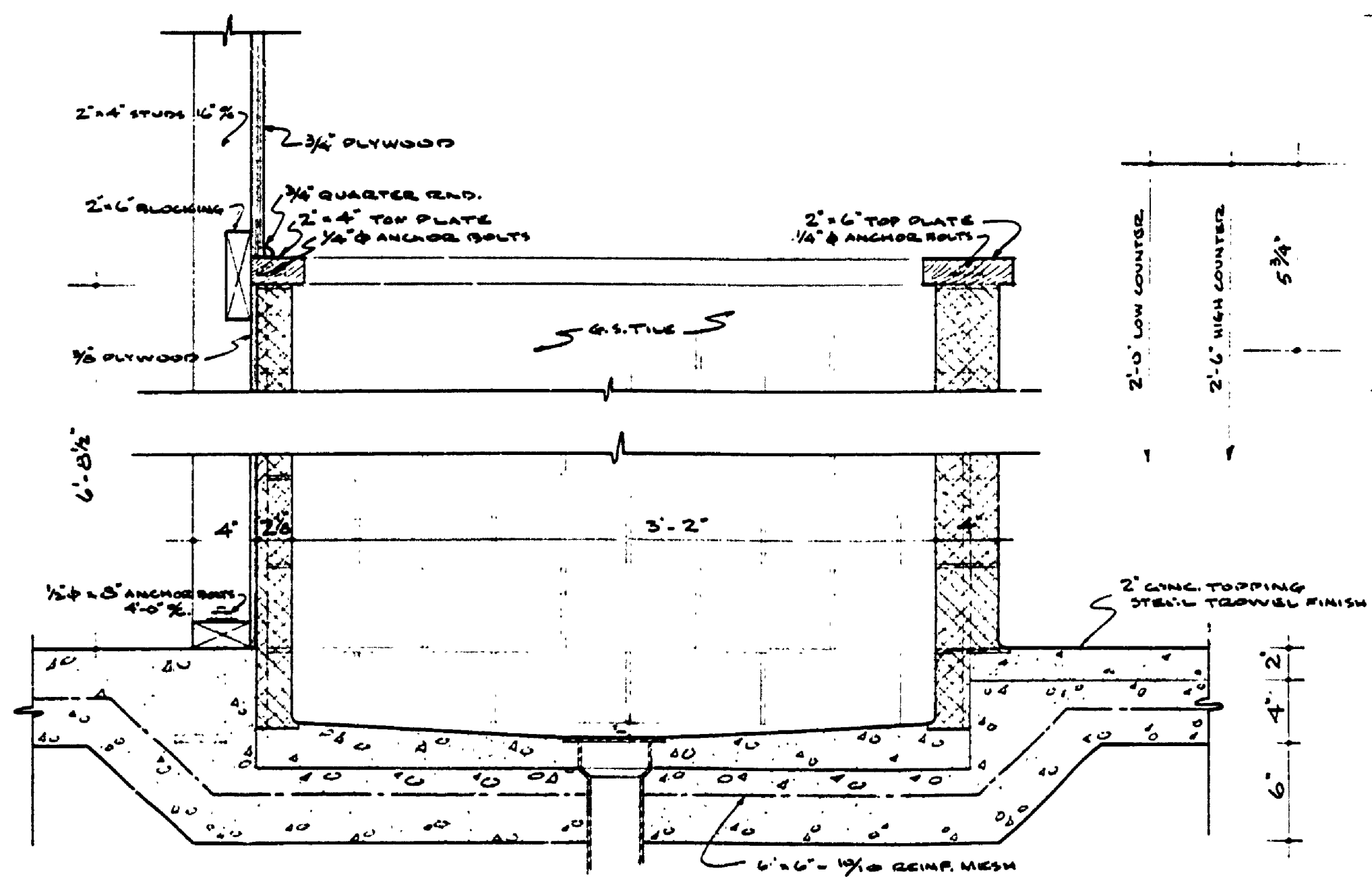
FRONT VIEW - COUNTER TOP SUPPORT CHANNEL - 1/2\"/>



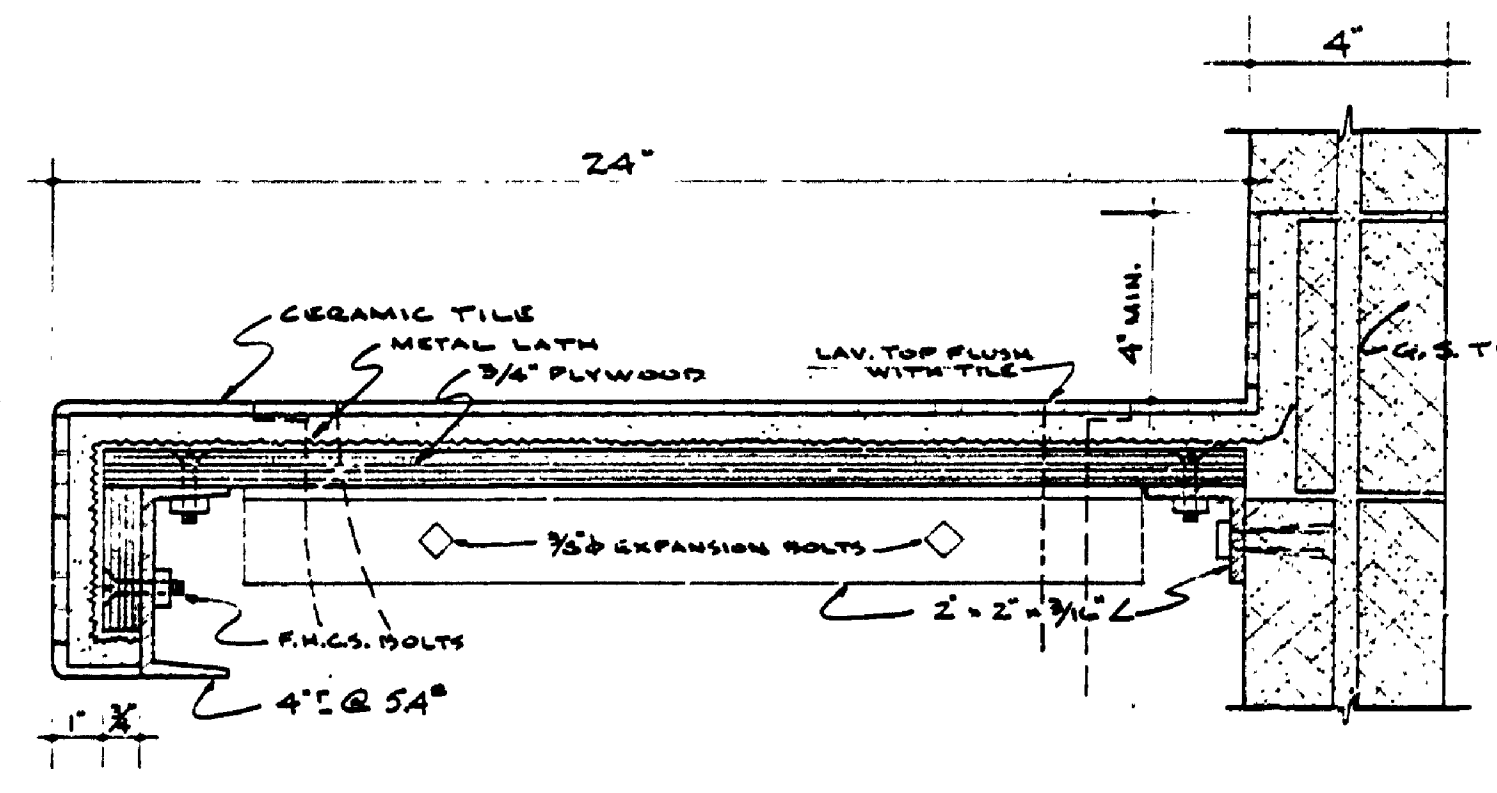
TOILET PARTITION DETAIL - 1/2\"/>



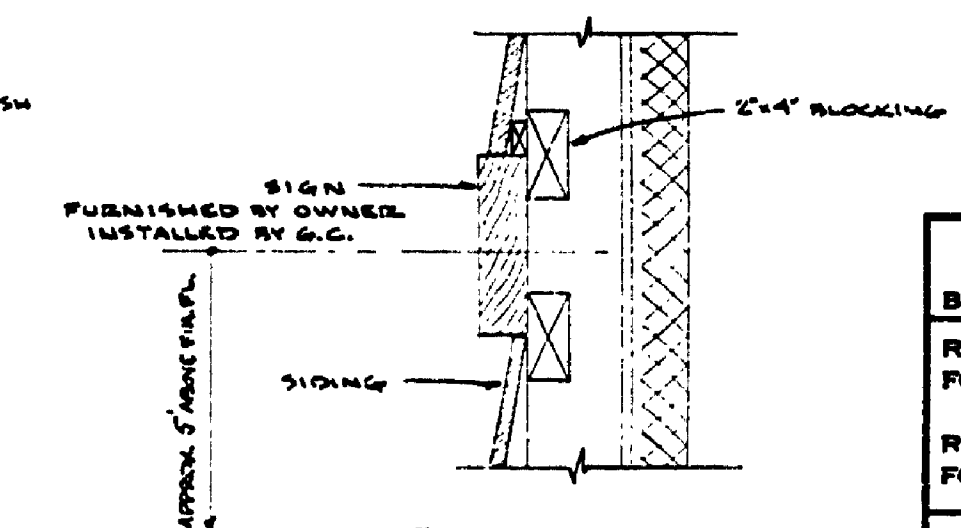
CORRUGATED FIBERGLASS WINDOW DETAILS - 1/2\"/>



SHOWER SECTION - 1/2\"/>



COUNTER-TOP SECTION - 3/4\"/>



SIGN DETAIL - 1/2\"/>



PLUMBING SCHEMATIC - 1/2\"/>

CONSERVATION COMMISSION APPROVAL	
BY: _____	DATE: _____
RECOMMENDED FOR APPROVAL:	ENGINEER OR ARCHITECT DATE
RECOMMENDED FOR APPROVAL:	IN CHARGE OF DESIGN DATE
SECTION APPROVAL	
BY: _____	SECTION CHIEF DATE
ENGINEERING SECTION	
APPROVED: _____	CHIEF ENGINEER DATE

SURVEYED BY	DRAWN BY	12/14	12-67	NO. DATE BY	REVISIONS	NO. DATE BY	REVISIONS	MICHIGAN DEPARTMENT OF CONSERVATION	TAHQUAMENON FALLS STATE PARK - TOILET BUILDING	SHEET NO. 3 OF 3	FOR PROJECT NO. 02-46-258-300-019
DESIGNED BY	CHECKED BY	Y VL	1-66	1. 3-8-66 R.M.H. HAND RAUN 10 Comp.		2. 7-11-66 J.S.T.					