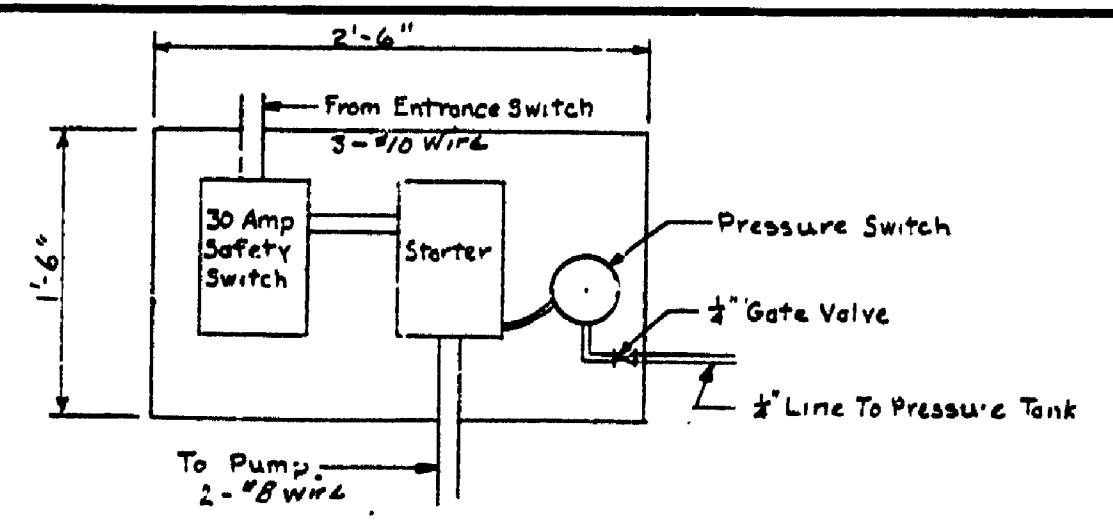
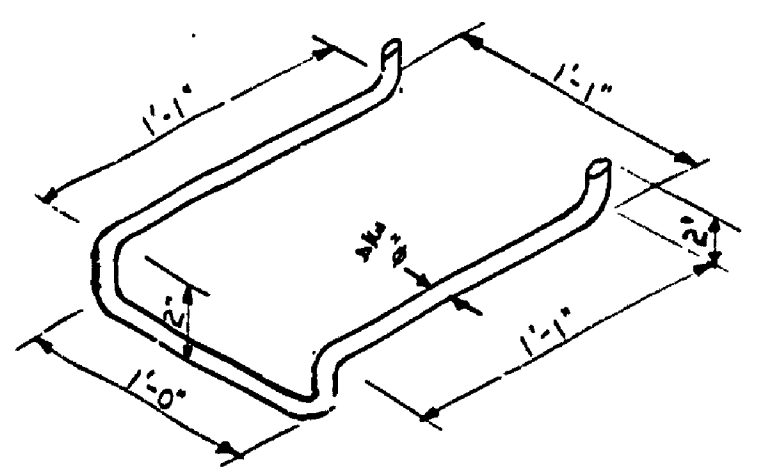


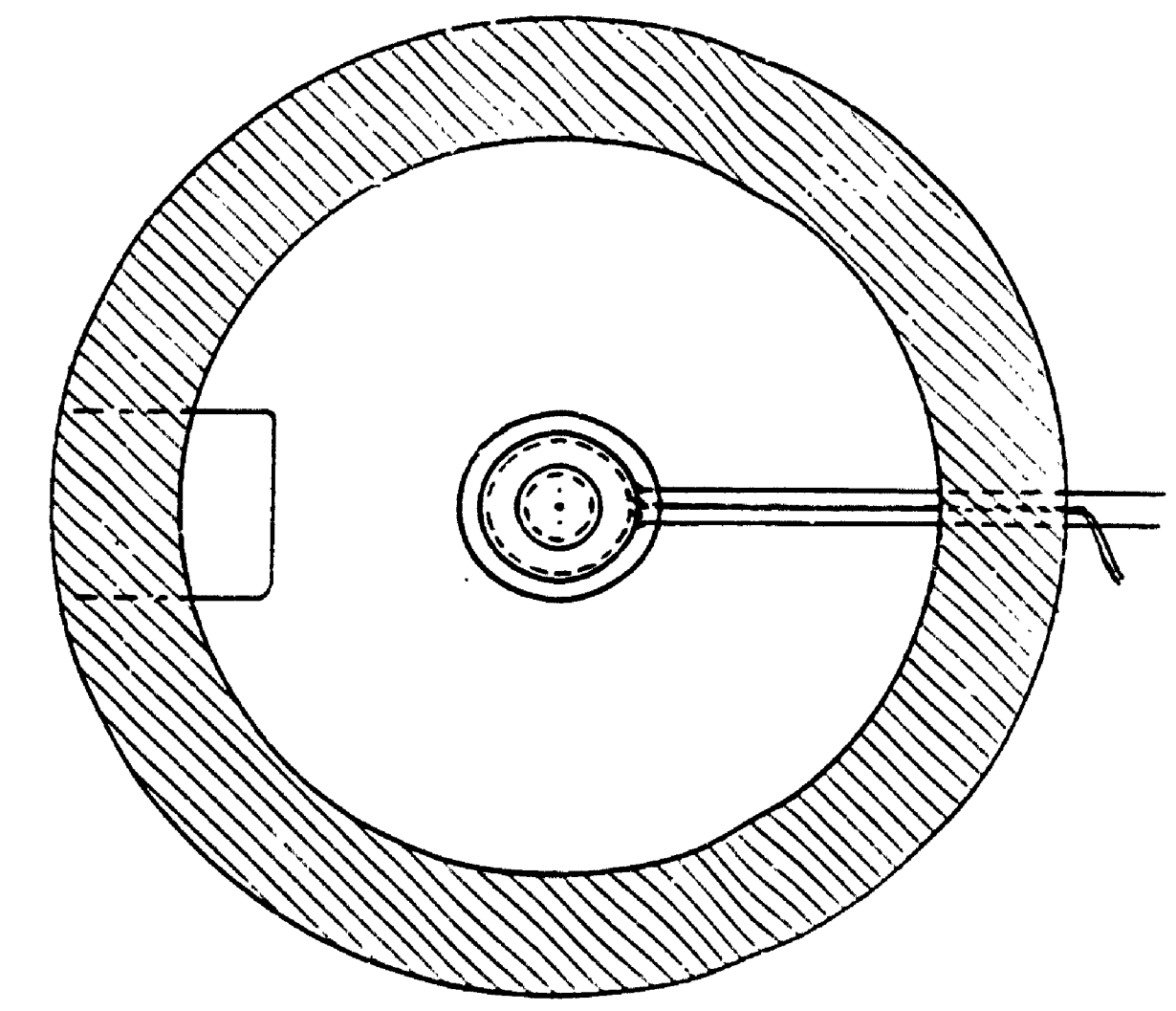
DRAWN BY B.H.G.	TRACED BY E.T.P.	CHECKED BY E.T.P.	DATE 18 March 1954	REVIEWED BY SECTIONS		APPROVED BY		NO.	DATE	BY	REVISIONS	DATE	BY					
				ARCHITECTURAL	J.T.R.	3-19-54	J.T.R.							3-19-54	1		4	
				ENGINEERING	H.C.M.	19 March	J.T.R.							3-19-54	2		5	
	LANDSCAPE				3			6										



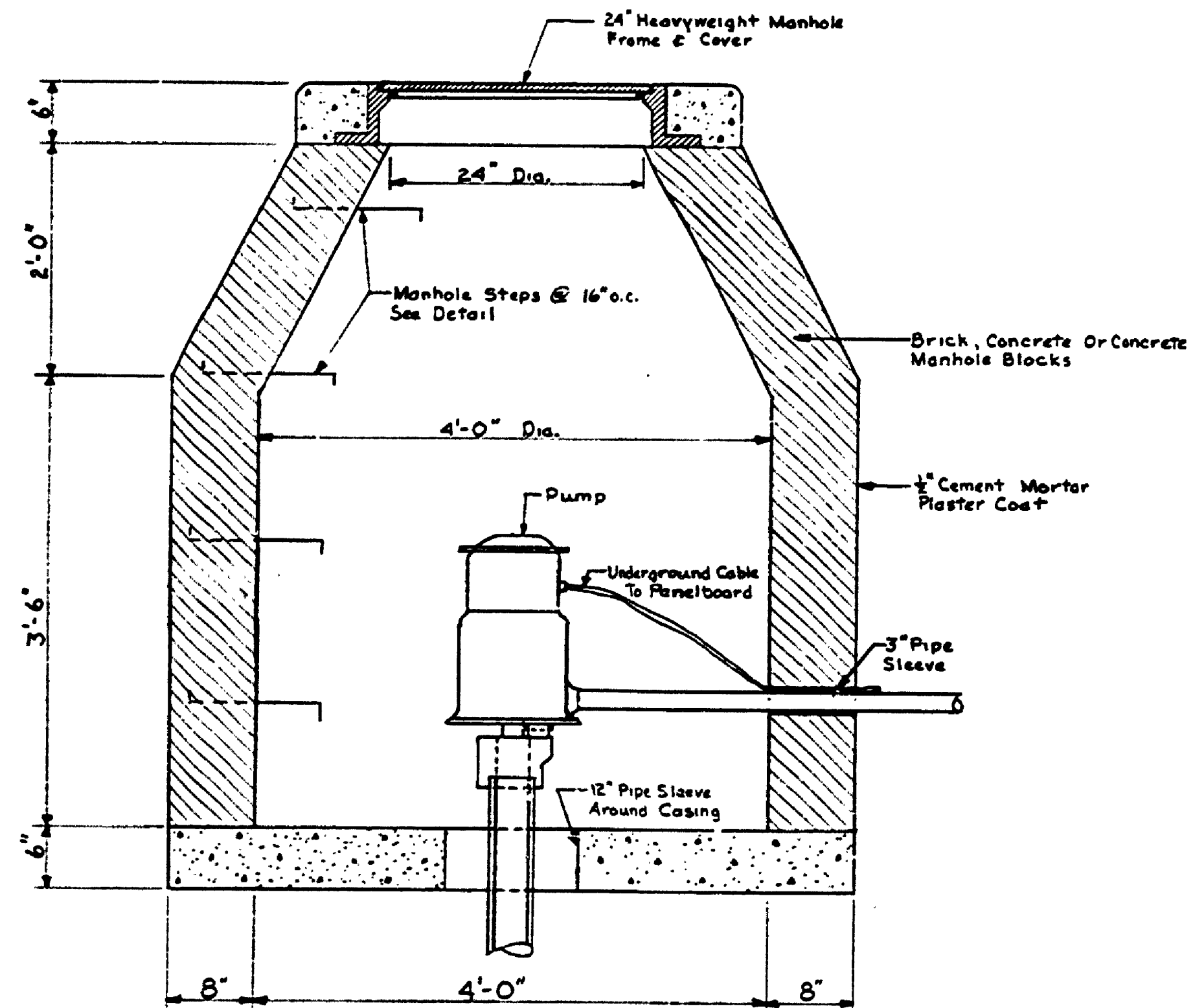
ELECTRICAL PANELBOARD
Not To Scale



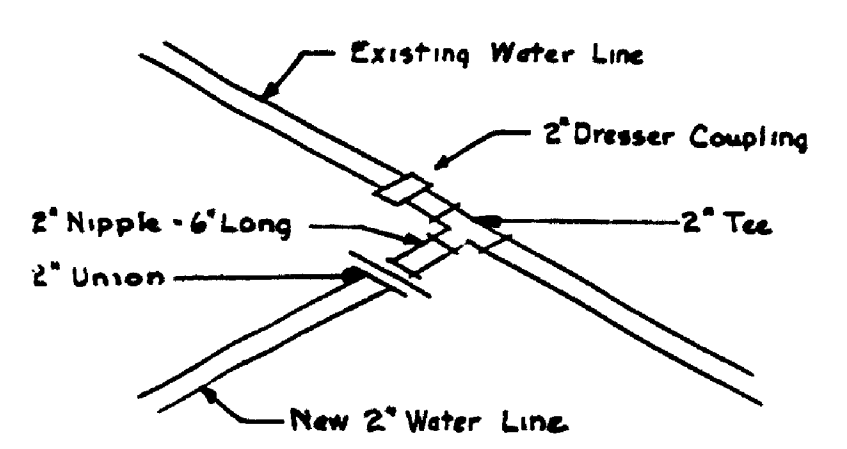
MANHOLE STEP DETAIL
Not To Scale



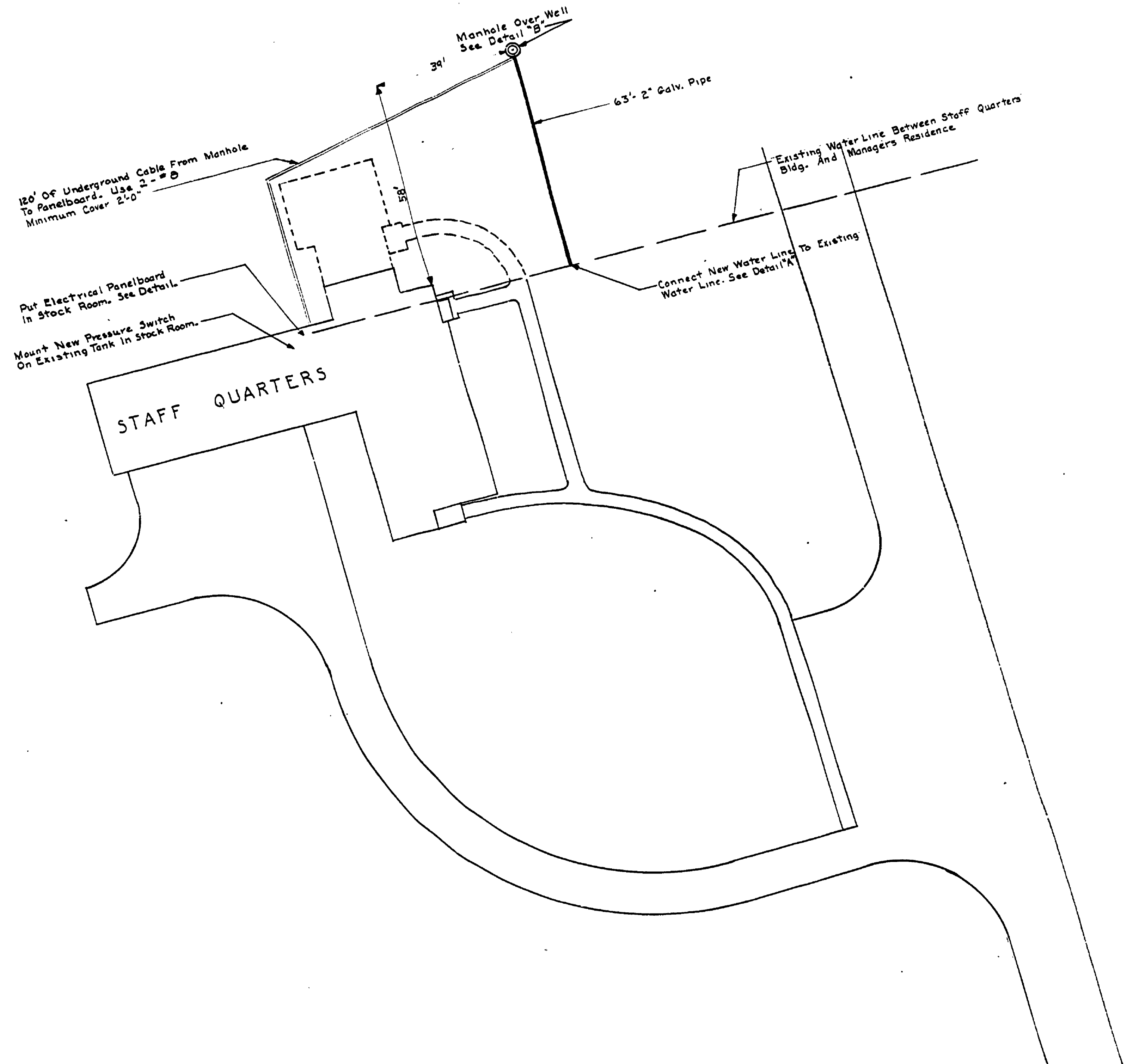
PLAN SECTION



SECTION C-C
MANHOLE DETAIL "B"
Scale 1" = 1'-0"



DETAIL "A"
Not To Scale



PLAN
Scale 1" = 20'

MICHIGAN
DEPARTMENT OF CONSERVATION
PARKS AND RECREATION DIVISION

TAHQAMENON FALLS STATE PARK
STAFF QUARTERS WATER SYSTEM
Scale As Shown

SHEET
NO. 1
OF 1

PLAN NO.
E-106