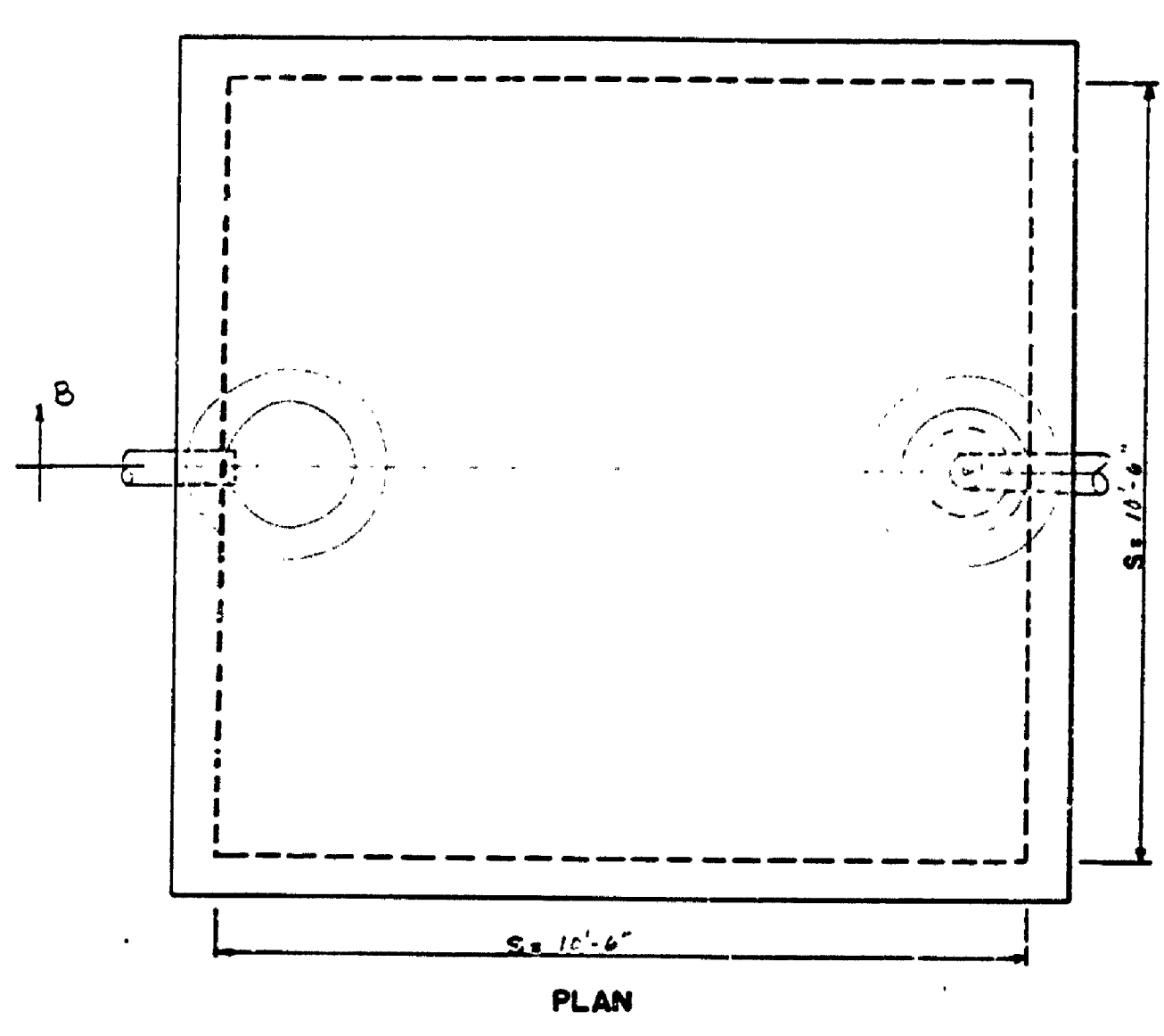
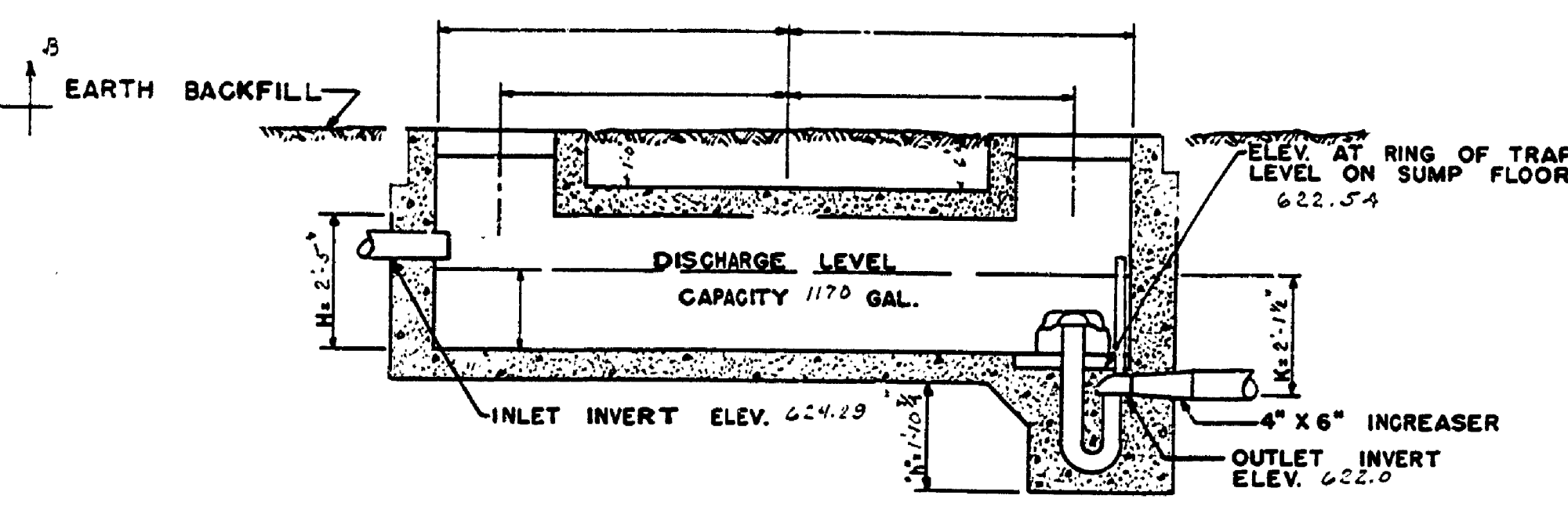


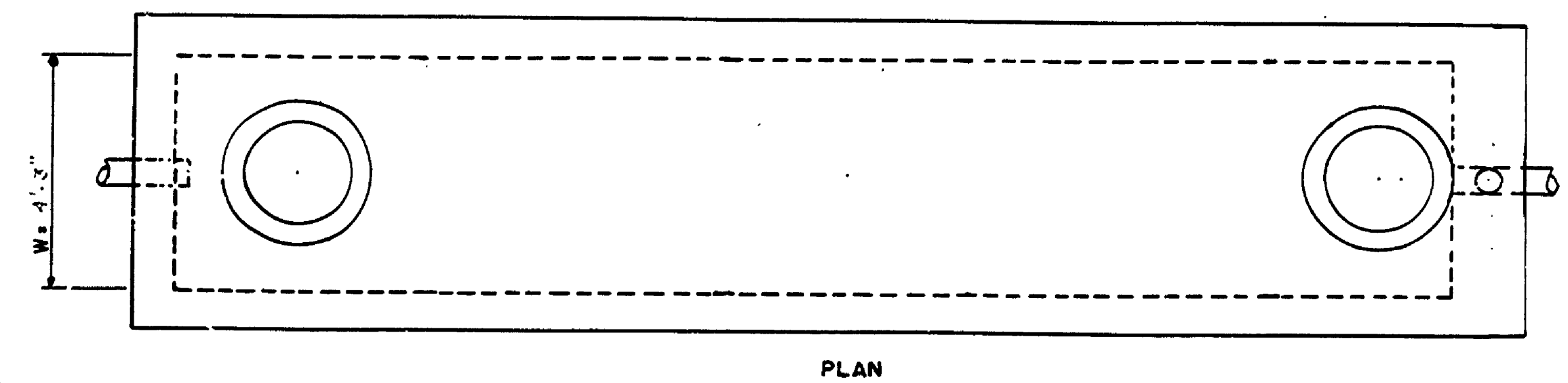
NO.	DATE	BY	REVISIONS
1	4-15-57	E.T.P.	1. Septic Tank Plan revised to conform with alignment at construction in field.
2			2. Septic Tank Plan revised to conform with alignment at construction in field.
3			3. Septic Tank Plan revised to conform with alignment at construction in field.
4			4. Septic Tank Plan revised to conform with alignment at construction in field.
5			5. Septic Tank Plan revised to conform with alignment at construction in field.
6			6. Septic Tank Plan revised to conform with alignment at construction in field.



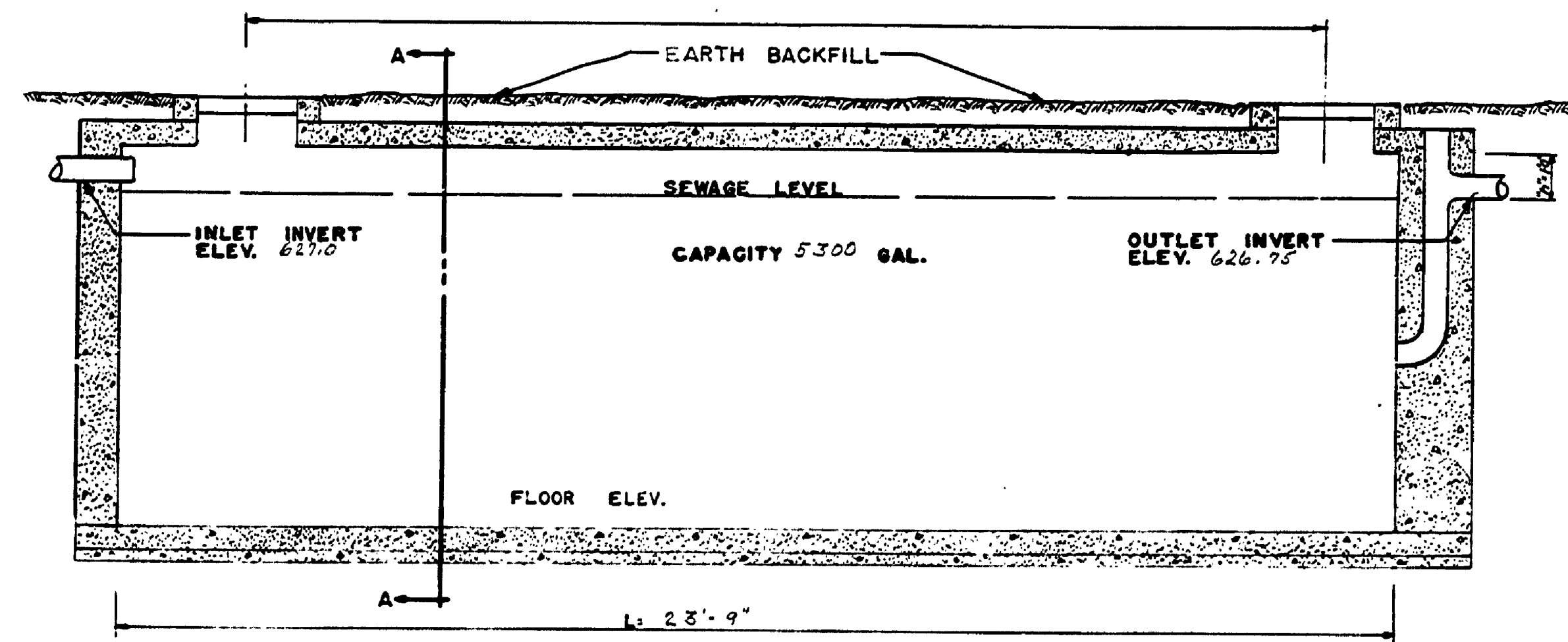
**NOTES FOR DOSING CHAMBER**  
 SEE PLAN NO. SE-119 FOR STEEL REINFORCING DETAILS AND DETAIL DIMENSIONS OF DOSING CHAMBER WITH BEAM.  
 USE 4" SIPHON WITH 17" DRAWDOWN.  
 USE S = 10'-0", H = 2'-0", K = 2'-1/2", J = 1'-0"



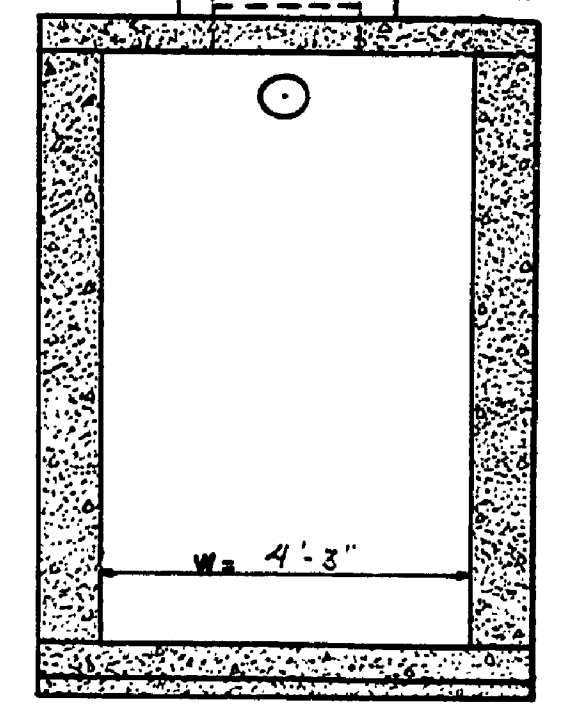
**DOSING CHAMBER**  
NOT TO SCALE



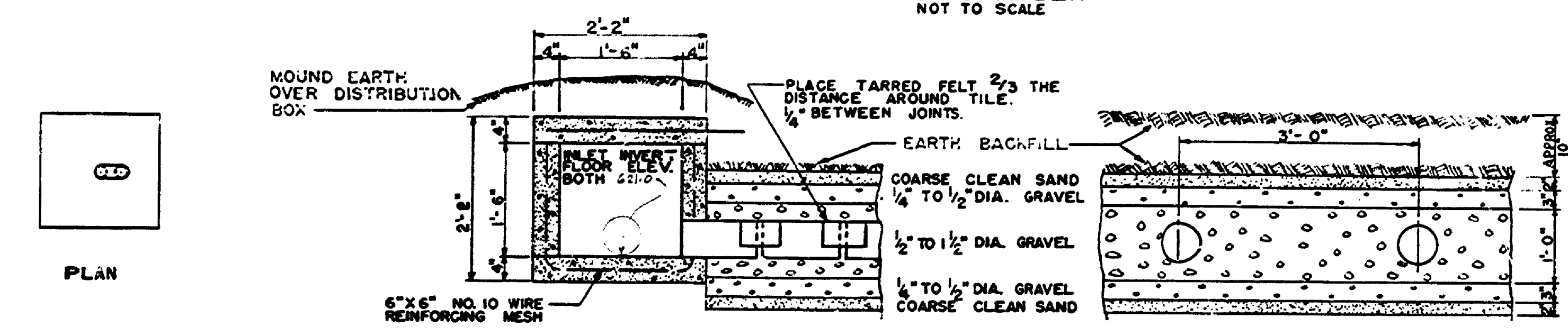
**NOTES FOR SEPTIC TANK**  
 SEE PLAN NO. SE-121 FOR STEEL REINFORCING DETAILS AND DETAIL DIMENSIONS.  
 USE L = 23'-9", W = 4'-3", H = 1'-0"



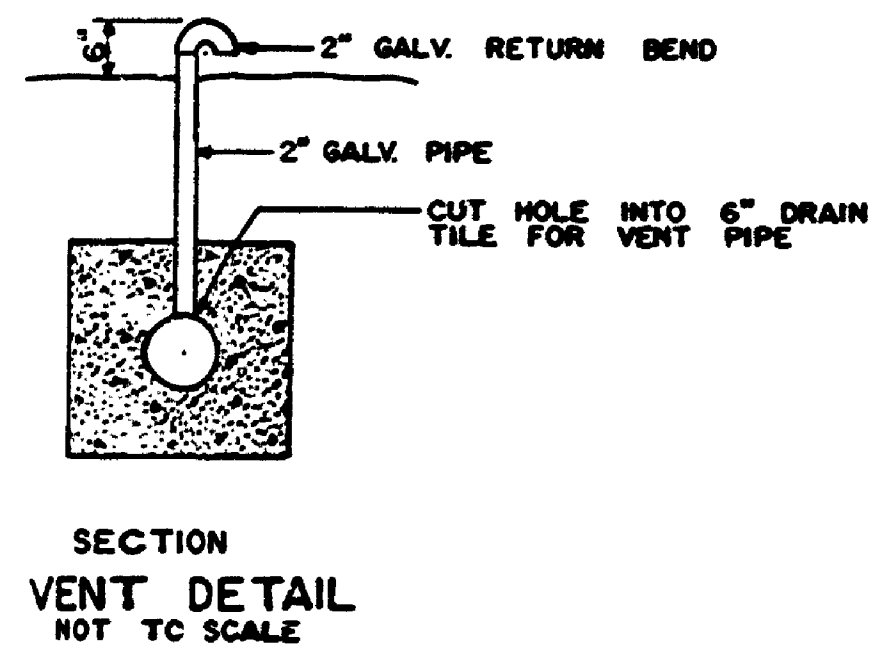
**SEPTIC TANK**  
NOT TO SCALE



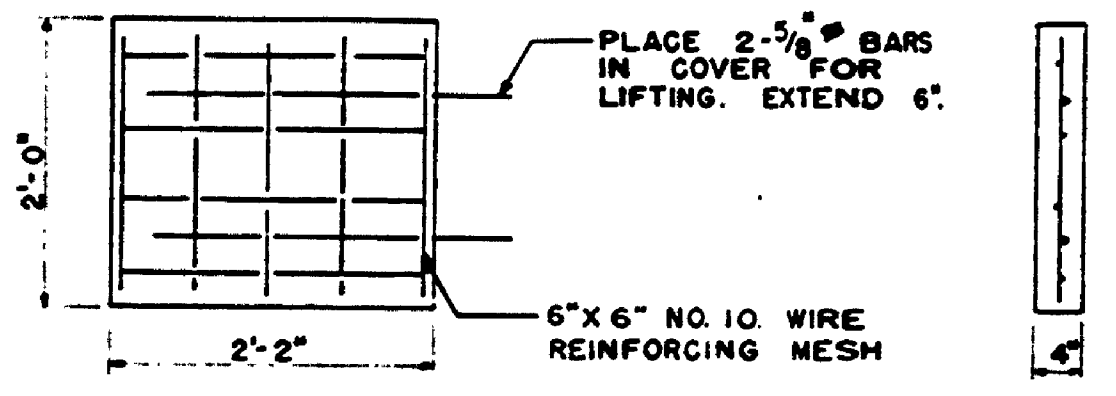
**SECTION A-A**



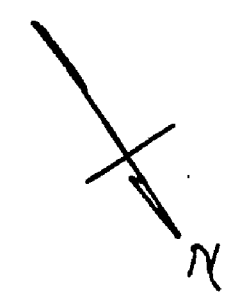
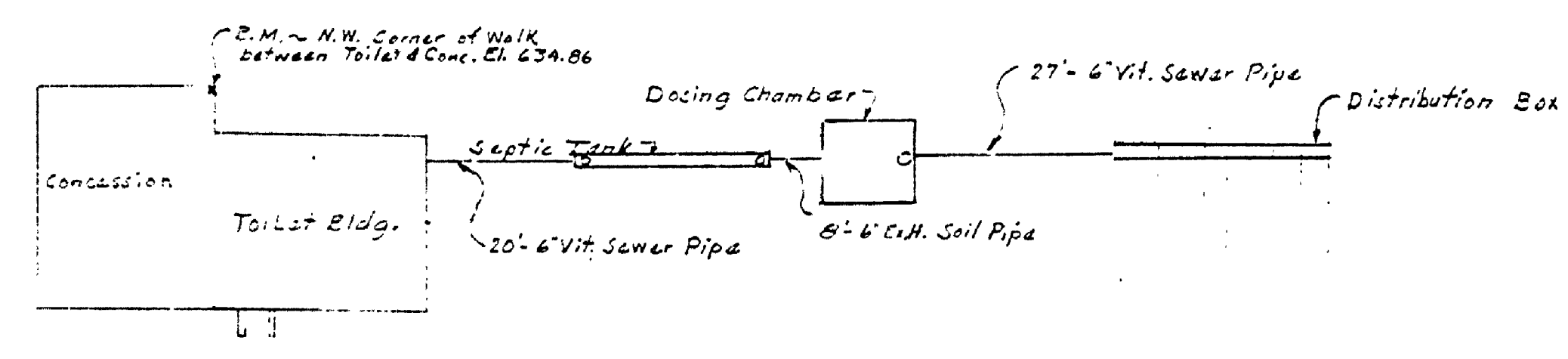
**ELEVATION OF DISPOSAL FIELD**  
NOT TO SCALE



**SECTION VENT DETAIL**  
NOT TO SCALE



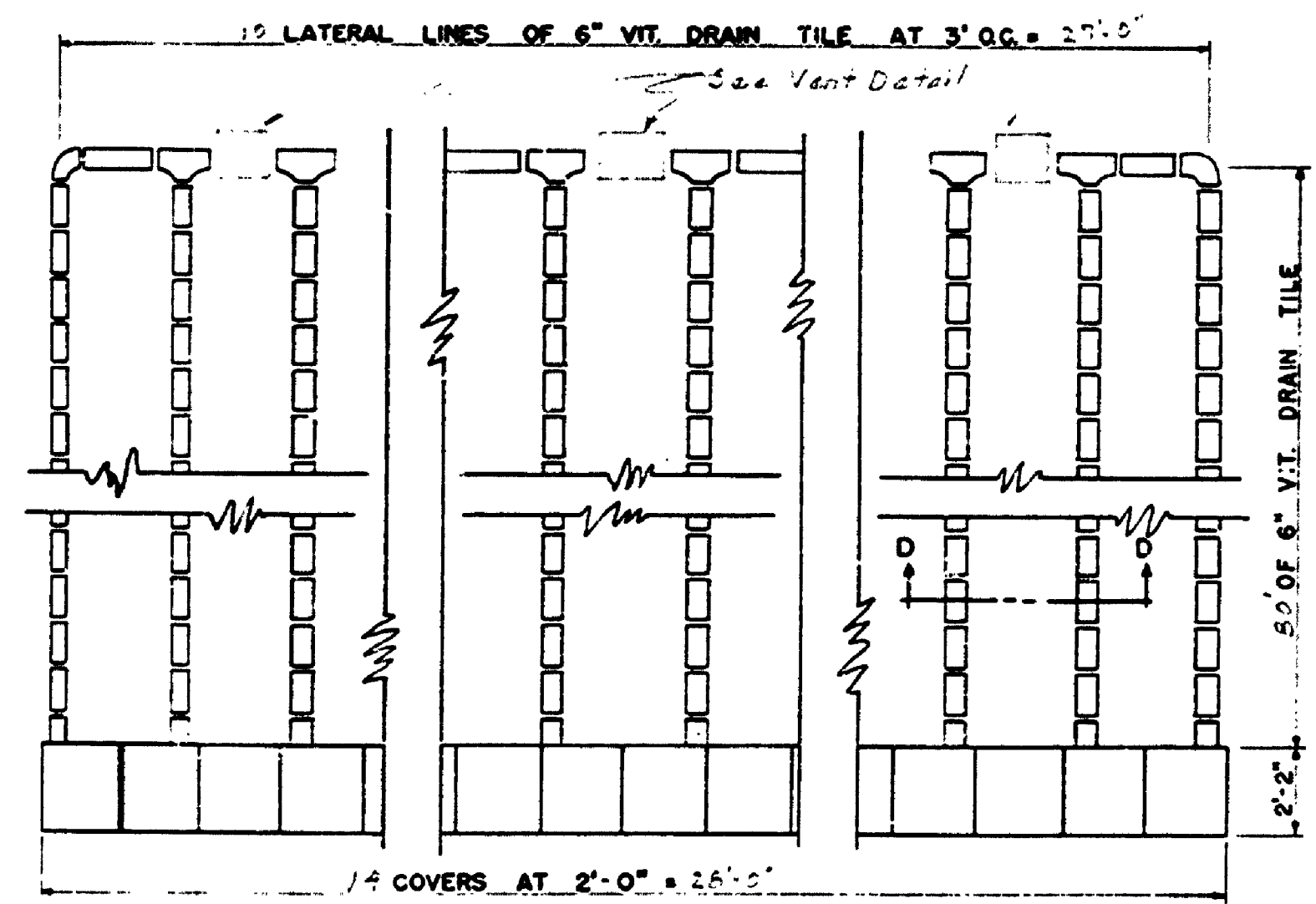
**DISTRIBUTION BOX COVER**  
NOT TO SCALE



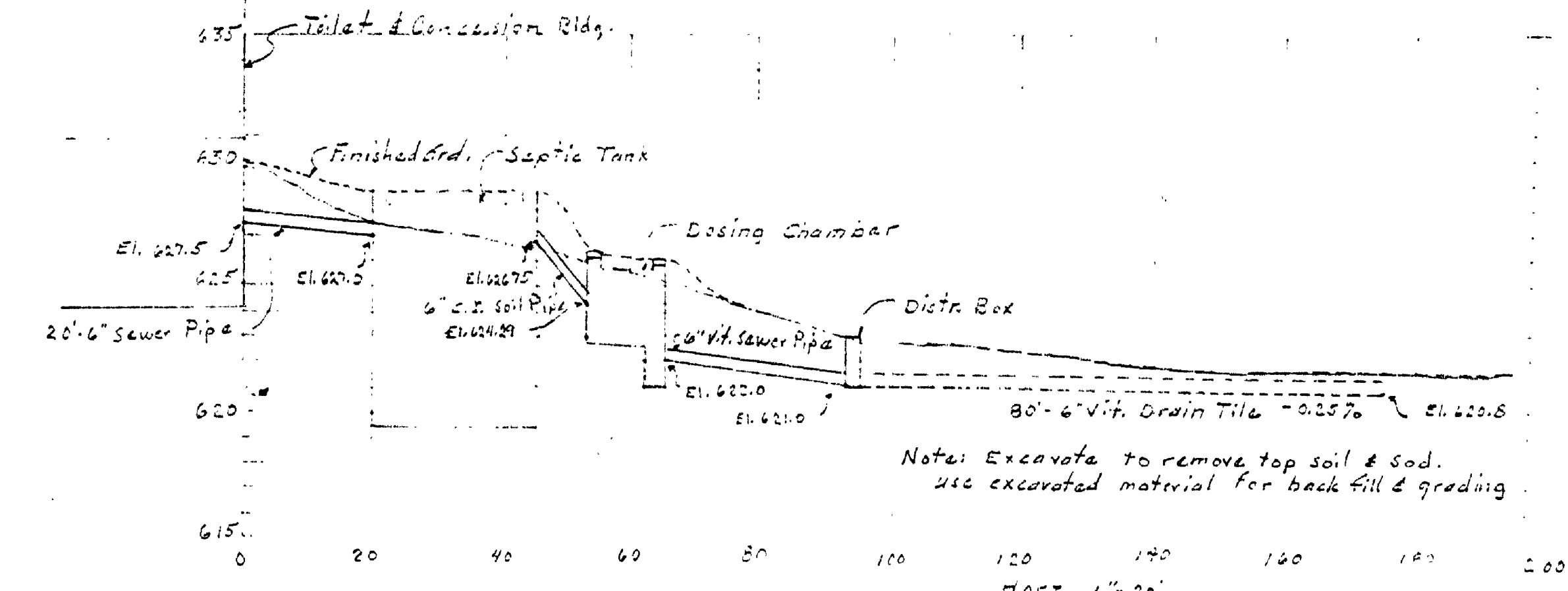
The Field 10 LINES OF 6" Drain Tile 80'-0" long

**PLOT PLAN**

SCALE 1" = 20'-0"



**DISPOSAL FIELD**  
NOT TO SCALE



**PROFILE**  
SCALE Horiz. 1" = 20'  
Vert. 1" = 5'